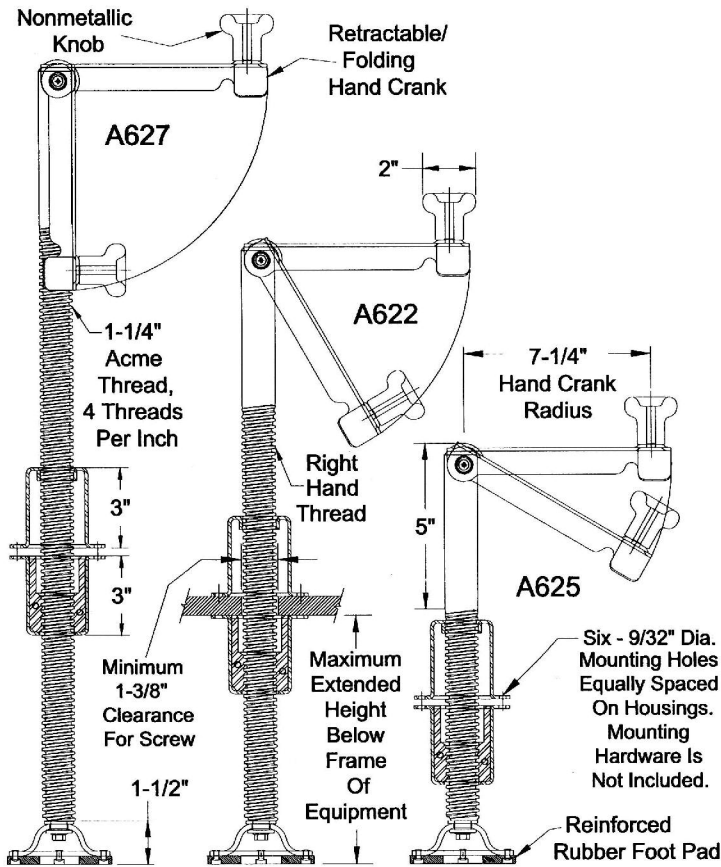
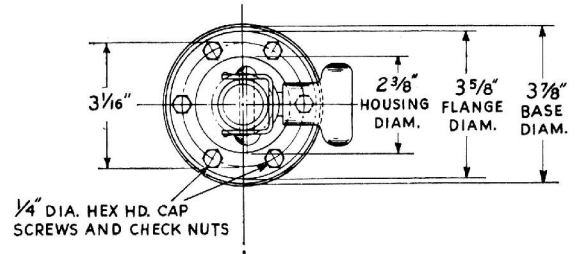


Economical and practical method for leveling and stabilizing portable equipment such as work stations. Used to brake equipment in place and elevate it to the required height. An economical and practical method for leveling and stabilizing portable equipment such as work platforms. They are used to brake equipment in place and elevate it to a required height. These screw jacks can be used in areas where position locks cannot be applied. The hand crank has a radius of 7-1/4". All exposed metal parts are zinc plated for proven rust prevention.



A - Series Leveling Jacks Heavy Duty Premium

Length Of Screw Travel (in.)	Overall Height (in.)	Maximum Extended Height Below Frame of Equipment (in.)	Minimum Height Below Frame of Equipment (in.)	Floor Jack Catalog Number	Approx. Weight (lbs.)
9	18	13-1/2	4-1/2	A625	9
17	26	21-1/2		A622	12
21	30	25-1/2		A627	13