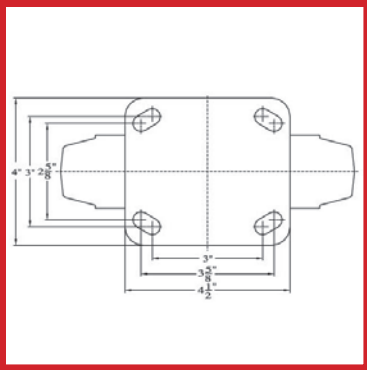
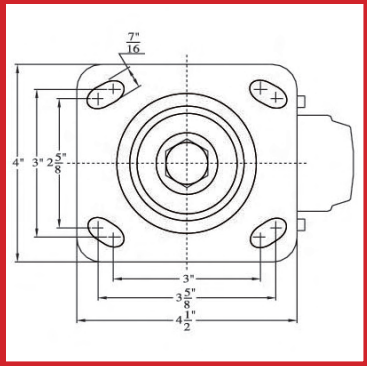


# CP-HD SERIES TOP PLATE HEAVY DUTY SWIVEL AND RIGID



## Standard Features

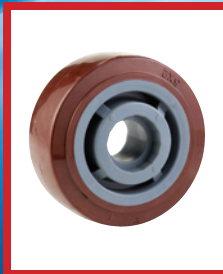
- Zinc Plated for Durability and Longevity
- 6mm Steel Fork Thickness
- 4" x 4-1/2" Swivel Top Plate (6mm Steel Thickness)
- Double Ball Bearing Raceways Heat Treated with Zerk Fitting
- 1/2" Axle With Zerk Fitting and Nylon Lock Nut

## Brake Options

- TB – Tread Brakes (Locks Wheel Only) (Field Installable)
- NTL – Nylon Tread Brake (Locks Wheel Only) (Field Installable)
- TLB2 – Nylon Total Lock Brake (Locks Wheel & Swivel) (Field Installable)



Jacob Holtz's CP-HD Series casters provide heavier weight capacities for the demands within the industrial and commercial setting. This caster offers excellent durability and with a wide variety of wheel combinations available can give you years of service.



## JACOB HOLTZ COMPANY

Serving the Industry for over 60 Years

[www.JacobHoltz.com](http://www.JacobHoltz.com)

800.445.4337 • PHONE: 215.423.2800 • FAX: 215.634.7454