

Table of Contents

Parts & Accessories

Wheel Selection Guide	1
Wheel Selection Charts	2
Wheel Brakes	3
Brake Chart	4
Replacement Parts	4
Swivel Locks	5
Floor Locks	5
Turntable Sections	6

Casters

TwinWheel™ Casters	7
CargoMax™ Casters	8
Economy Inverted Cargo Casters	8
Office Product Casters	9
Shopping Cart Casters	9
LS Series Casters	9
VersaTrac® 27 Series Casters	10
Interchangeable Stem Casters	10
30 Series Casters	11
31 Series Casters	12
40 Series Casters	13
45 Series Casters	14
46 Series Casters	15
47 Series Casters	16
Maintenance Free Freedom®	
48 Series Casters	17
52 Series Casters	18
53 Series Casters	20
54 Series Casters	22
65 Series Casters	23
68 Series Casters	23
70 Series Casters	24
75 Series Casters	25
76 Series Casters	26
85 Series Casters	27
95 Series Casters	28
125 Series Casters	29
2-65 Series Casters	30
2-75 Series Casters	31
2-76 Series Casters	32
2-85 Series Casters	33
2-95 Series Casters	34
2-125 Series Casters	35
SA Series Casters	36
Full Pneumatic Casters	37
Economical Full Pneumatic Casters	38
S27 Stainless Steel Casters	38
S46 Stainless Steel Casters	39
S65 Stainless Steel Casters	40
S75 Stainless Steel Casters	41
RK Series Casters	42
WT Series Casters	43

Wheels

Durastan Wheels	44
Polyolefin Wheels	45
Performance TPR Wheels	46
GT Wheels	47
High Temperature Nylon Wheels	47
Signature™ Premium Wheels	48
Hand Truck Signature™ Premium Wheels	48
Elastomeric High Tensile Non-Marking Rubber Wheels	49
Elastomeric High Tensile Rubber Wheels	49
Mold-On Rubber Wheels	50
Soft Rubber Wheels	51
Hard Rubber Wheels	51
Urethane on Polypropylene Wheels	52
Pinnacle Wheels	52
Urethane on Aluminum Wheels	53
Urethane on Iron Wheels	54
Omega Wheels	55
Whisper Wheels	55
Solid Urethane Wheels	56
Torus Wheels™	57
Full Pneumatic Wheels	57
Ultra Thick Urethane Wheels	58
V-Groove Wheels	59
Cast Iron Wheels	60
Forged Steel Wheels	61

Material Handling

Hand Truck Disc Brakes	62
Hand Truck Signature Wheels™	62
SlimLine Hand Trucks™	62
Fixed Aluminum Hand Trucks	63
Convertible Aluminum Hand Trucks	65
Hand Truck Replacement Parts	66
Titan Bulk Delivery Systems	67
Platform Trucks	69
Dollies	70
Handi Carts	70
Pallet Trucks	71

QUICK REFERENCE LAYOUT

Page Contents →	30 Series Casters
Opposite Page Contents →	31 Series Casters

The RWM Product Catalog is designed for quick and easy reference to our product line. Each product page has a color tab at the edge of the sheet. The solid color indicates the product described on that page, the shaded color is what is described on the opposite page. In addition, each section in the manual has been assigned its own color.

PARTS & ACCESSORIES

CASTERS

WHEELS

MATERIAL HANDLING

Acorn Industrial Products Co

520 Hertzog Boulevard | King of Prussia, PA 19406

Phone 800-523-5474 | Fax 800-782-6780

E-Mail acorn@acornindprod.com | Web www.acornindprod.com

RWM offers bearings for every application

In recommending the correct wheel for the application, the type of floor material and the type of wheel material used will have a definite effect on the performance of the castered equipment. The following chart is designed to give a basic recommendation on the performance of different wheels in various conditions.

Wheel Selection

There are many factors involved in selecting the proper wheel for an application. Among these are:

- wheel size
- ease of movement
- wheel type
- bearing type
- load capacity
- anticipated life

Associated factors would involve the application itself. Floor conditions should be taken into account:

- type of floor
- any extraordinary conditions such as water or chemicals
- foreign material on the floor
- temperatures other than ambient
- amount of usage

Wheel Bearings

The following bearings are listed in order of ease of effort to begin and maintain rolling action:

- sealed precision ball bearings
- annular ball bearings
- flanged ball bearings
- caged roller bearings
- roller bearings
- precision tapered roller bearings
- Delrin bearings
- plastic sleeve (Celcon) bearings
- Oilite bearings
- plain bore

Sealed Precision Ball Bearings

Sealed precision ball bearings are recommended for maximum rolling ease with no maintenance lubrication required. They provide quiet operation for medium duty to heavy duty loads. Used in pairs, they press-fit into the wheel hub. Precision ball bearings (standard or stainless steel) for light or heavy-duty applications can be provided for both radial and thrust loads.



Annular Ball Bearings

Annular ball bearings are "precision" type ball bearings that provide full-length support across the wheel width. The outside races are locked to the inside race by ball bearings and our unique encapsulated raceway. They are ideal for light to medium duty (loads to 1,200 pounds per wheel, radial load rating, manual operation). Side thrust load rating is approximately 20% of radial capacity.



Flanged Ball Bearings

Flanged ball bearings are a unique antifriction design that will eliminate seizing of the bearings and the wheel. These versatile bearings are supplied with shields and are constructed of hardened bearing quality steel with full complement of ball bearings and are pre-greased. The load is transmitted from the outer race to the ball, and from the ball to the inner race. Since the ball is a sphere, it only contacts the inner and outer race at a very small point, which helps it spin very smoothly.



Caged Roller Bearings

Caged roller bearings consist of a cage-type roller assembly and a drawn cup outer race. These bearings turn on hardened and ground spanner bushings that provide a long wearing precision inner race. Press fit bearings are used in combination with metal retainer/thrust washers. Rubber sealed retaining washers are available for sealed wheels. Caged roller bearings have high radial capacity. Some applications of wheels do not require the use of the spanner bushings.



Roller Bearings

Straight roller bearings consist of a cage-type roller assembly and a split outer race. These bearings turn on hardened and ground spanner bushings which provide a long wearing precision inner race. Press fit combination metal retainer/ thrust washers hold the bearings in place. Rubber sealed retaining washers are available for sealed wheels. Straight roller bearings have high radial capacity, but minimal side thrust load rating. Some applications of wheels do not require the use of the spanner bushings.



Precision Tapered Roller Bearings

Tapered roller bearings are true precision bearings designed for the heaviest loads, and/or high-speed operation. In addition to great radial capacity, they have a side thrust load rating of 60% to 90% of radial capacity rating. The assembly consists of an outer race or cup and a tapered cone roller assembly, normally held in position with closures. When required, more positive grease or dust seals can be provided. Spacers are provided to tighten the caster legs against the bearing assembly. Two bearings are installed per wheel.



Delrin Bearings

Delrin bearings are extremely durable under a wide range of temperature and humidity conditions. They are corrosion resistant. Wheels with the Delrin bearings are well suited for applications where brine conditions, steam cleaning, or where excessive water or liquids are present. Light oil or grease lubrication is always recommended.



Plastic Sleeve (Celcon) Bearings

For environments unsuitable to metal bearings, celcon bearings offer economical chemical and corrosion resistance. Wheels with celcon bearings are well suited for applications where brine conditions, steam cleaning, excessive water or liquids are present. Light oil or grease lubrication is always recommended. These types of bearings are available in both flanged or sleeve type bearings.



Oilite Bearings

Oilite bearings are an inexpensive, highly efficient, caster wheel sleeve bearing made of powdered metal thoroughly impregnated with oil. These bearings are press-fit into the wheel bore and have a "built-in" lifetime lubrication for normal usage. For severe service, lubricant can be replenished through the hollow axle. These bearings can ride on a spanner bushing or directly on the axle, depending on the application requirements.



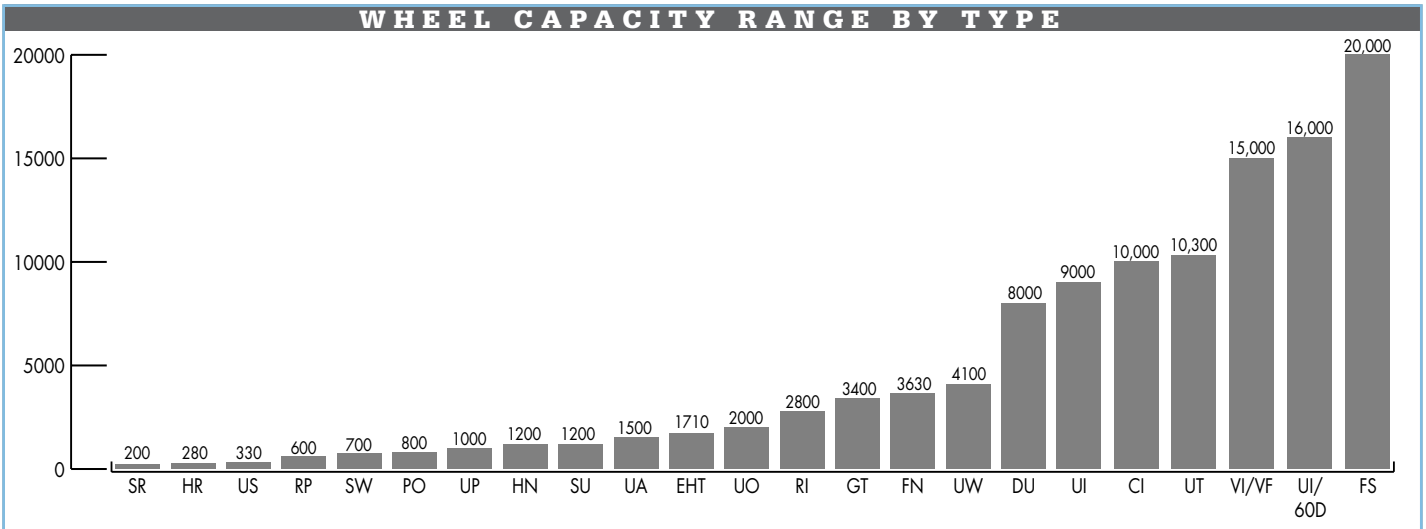
Plain Bore

A plain bore means the bore of the wheel is riding directly on the spanner bushing or the caster axle. Plain bore wheels are used for light or seldom moved loads and where ease of starting and rolling is not an important consideration.

Wheel Selection Charts

Surface	WHEEL SELECTOR AID CHART (MANUAL OPERATION)																		
	Cast Iron (CI)	Durastan (DU)	Elastomer High Tensile (EHT)	Forged Steel (FS)	GT (GT)	Hard Rubber (HR)	High Temperature Polyolefin (HTPO)	Pneumatics (FN)	Rubber on Polypropylene (RP)	Mold-On Rubber (RI)	Omega (UO)	Signature™ Wheel (SW)	Soft Rubber (SR)	Torus Wheel™ (UAB)	Urethane on Iron (UI)	Urethane (UP/US)	V-Groove Forged Steel (VF)	V-Groove Iron (VI)	
Finished Wood Floor	Not Recommended	Excellent	Excellent	Not Recommended	Excellent	Excellent	Excellent	Excellent	Excellent	Excellent	Excellent	Excellent	Excellent	Excellent	Excellent	Excellent	Excellent	Excellent	Excellent
Finished Concrete Floor	Not Recommended	Excellent	Excellent	Not Recommended	Excellent	Excellent	Excellent	Excellent	Excellent	Excellent	Excellent	Excellent	Excellent	Excellent	Excellent	Excellent	Excellent	Excellent	Excellent
Ceramic Tile - Terrazzo	Not Recommended	Not Recommended	Excellent	Not Recommended	Excellent	Not Recommended	Not Recommended	Excellent	Excellent	Excellent	Excellent	Excellent	Excellent	Excellent	Excellent	Excellent	Excellent	Excellent	Excellent
Vinyl - Asphalt - Rubber Tile	Not Recommended	Not Recommended	Excellent	Not Recommended	Excellent	Not Recommended	Not Recommended	Excellent	Excellent	Excellent	Excellent	Excellent	Excellent	Excellent	Excellent	Excellent	Excellent	Excellent	Excellent
Oil - Grease - Solvents	Excellent	Excellent	Not Recommended	Excellent	Excellent	Not Recommended	Not Recommended	Not Recommended	Not Recommended	Not Recommended	Not Recommended	Not Recommended	Not Recommended	Not Recommended	Not Recommended	Not Recommended	Not Recommended	Not Recommended	Not Recommended
Alkalines - Inorganic	Not Recommended	Not Recommended	Not Recommended	Not Recommended	Excellent	Not Recommended	Not Recommended	Not Recommended	Not Recommended	Not Recommended	Not Recommended	Not Recommended	Not Recommended	Not Recommended	Not Recommended	Not Recommended	Not Recommended	Not Recommended	Not Recommended
Metal Chips on Floor	Excellent	Not Recommended	Not Recommended	Excellent	Not Recommended	Not Recommended	Not Recommended	Not Recommended	Not Recommended	Not Recommended	Not Recommended	Not Recommended	Not Recommended	Not Recommended	Not Recommended	Not Recommended	Not Recommended	Not Recommended	Not Recommended
Characteristics																			
Ease of Rolling	Excellent	Excellent	Not Recommended	Excellent	Excellent	Excellent	Excellent	Not Recommended	Not Recommended	Not Recommended	Excellent	Not Recommended	Not Recommended	Excellent	Excellent	Excellent	Excellent	Excellent	Excellent
Load Carrying Ability	Excellent	Excellent	Excellent	Excellent	Excellent	Excellent	Excellent	Not Recommended	Not Recommended	Not Recommended	Excellent	Excellent	Not Recommended	Excellent	Excellent	Excellent	Excellent	Excellent	Excellent
Noise in Operation	Not Recommended	Not Recommended	Excellent	Not Recommended	Excellent	Not Recommended	Not Recommended	Excellent	Excellent	Excellent	Excellent	Excellent	Excellent	Excellent	Excellent	Excellent	Excellent	Excellent	Excellent
Floor Protection	Not Recommended	Excellent	Excellent	Not Recommended	Excellent	Excellent	Excellent	Excellent	Excellent	Excellent	Excellent	Excellent	Excellent	Excellent	Excellent	Excellent	Excellent	Excellent	Excellent
Resiliency	Not Recommended	Not Recommended	Excellent	Not Recommended	Not Recommended	Not Recommended	Not Recommended	Excellent	Excellent	Excellent	Not Recommended	Excellent	Not Recommended	Not Recommended	Not Recommended	Not Recommended	Not Recommended	Not Recommended	Not Recommended
Impact Resistance	Not Recommended	Not Recommended	Excellent	Excellent	Excellent	Not Recommended	Not Recommended	Excellent	Excellent	Excellent	Excellent	Excellent	Excellent	Excellent	Excellent	Excellent	Excellent	Excellent	Excellent
Moisture & Chem. Resistance	Excellent	Not Recommended	Not Recommended	Excellent	Excellent	Not Recommended	Excellent	Not Recommended	Not Recommended	Not Recommended	Not Recommended	Not Recommended	Not Recommended	Excellent	Not Recommended	Excellent	Excellent	Excellent	Excellent
Abrasion Resistance	Excellent	Excellent	Not Recommended	Excellent	Excellent	Not Recommended	Excellent	Not Recommended	Not Recommended	Not Recommended	Not Recommended	Not Recommended	Excellent	Excellent	Excellent	Excellent	Excellent	Excellent	Excellent
Temperature Range High	800°	275°, 300°	200°	800°	275°	180°	550°	230°	200°	200°	175°	180°	200°	180°	175°	175°	800°	800°	
Temperature Range Low	-65°	-65°	-40°	-65°	-40°	-40°	-40°	-40°	-40°	-40°	-40°	-40°	-40°	-40°	-40°	-40°	-65°	-65°	
Durometer Rating		95D	70A		75D	75D	85D	65D		70A	75A	95A	70A	75A	80A, 95A	95A, 60D, 80A, 90A	95A		

NOTE: This chart is very general in scope. For applications other than normal factory or warehouse conditions, we strongly recommend you contact your RWM representative.



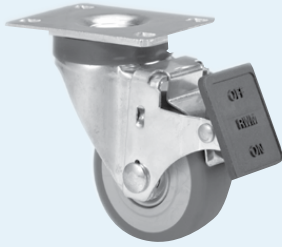
GUIDELINES FOR SELECTING WHEEL DIAMETER					
Total Weight Including Cart	Wheel Diameter	Total Weight Including Cart	Wheel Diameter	Total Weight Including Cart	Wheel Diameter
20 to 250	3"	500 to 1000	5"	1500 to 2000	8"
250 to 500	4"	1000 to 1500	6"	2000 to 3000	10"

This is a general guideline. Diameter selection will depend on application factors and wheel types.

Wheel Brakes

A variety of wheel brake options are available from RWM on our swivel and rigid casters depending upon the various series. All are factory-installed; WB, WWB, ICWB, FICWB and SICWB models may also be installed in the field. Please see brake chart on page 4 for recommended brake options.

27 Series Brakes

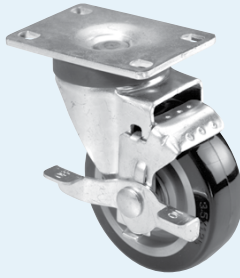


Field Installable Face Contact Brake (ICWB)

Easy field installation, toe operated, easy push pedal, only one rotating part, maintenance free, and corrosion resistant. Available in 3", 3-1/2", 4", & 5" sizes.

Description

- BRAKE-ICWB-27-0312
- BRAKE-ICWB-27-3512
- BRAKE-ICWB-27-0412
- BRAKE-ICWB-27-0512

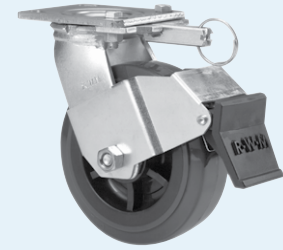


Field Installable Side Action Brake (WB)

Easy field installation, self-adjusts to wheel wear, easy to engage and disengage, and corrosion resistant. Available in 3", 3-1/2", 4", 5" sizes.

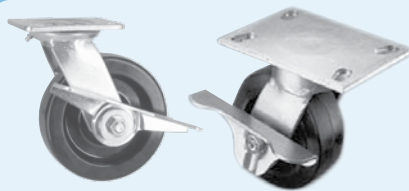
Description

- BRAKE-SIDE-27-0312
- BRAKE-SIDE-27-3512
- BRAKE-SIDE-27-0412
- BRAKE-SIDE-27-0512



Field Installable Face Contact Brake (ICWB)

ICWB is the only face contact brake in the industry that will accommodate a demountable swivel lock and easy field installation. Caster, brake, and DSL can be purchased separately. Patent Pending. Available in 4", 5", 6", & 8" sizes. Easily installs on the 46, 47, 48, 52, 65 and 70 series. This brake fits 2" wide wheels only.



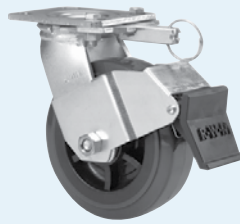
Field Installable Side Brake (WB)

This economical side operated brake is designed to be used on 4" to 8" diameter wheels and can be used with plain, roller, and celcon wheel bearings.



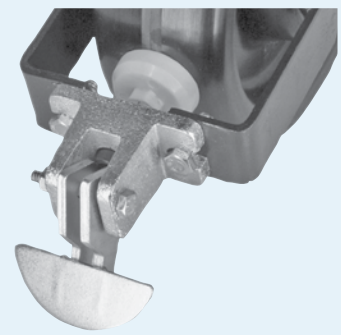
Wrap-Around Wheel Brake (WWB)

This brake operates mechanically similar to the side wheel brake, but is operable from more locations. This brake fits 2" wide wheels only.



Stainless Steel Field Installable Face Contact Brake (SICWB)

Stainless steel field installable face contact brake is available in 4", 5", 6" and 8" sizes. This brake fits 2" wide wheels only.



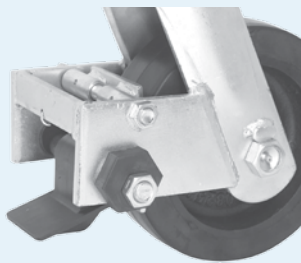
Cam Wheel Brake (CWB)

Depressing the pedal engages a non-skid pad against the wheel. Deactivate by moving the foot pedal in the opposite direction.



Face Contact Wheel Brake (FCWB)

The face contact wheel brake is engaged by compressing the brake shoe against the face of the wheel by turning a T-handle screw.



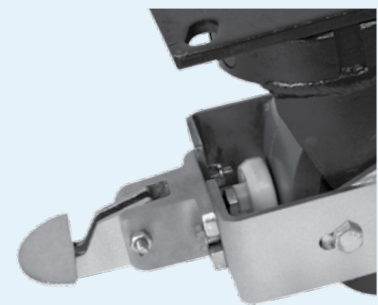
Poly Cam Brake (PCWB)

Depressing the pedal compresses a polyurethane pad against a non-skid metal pad which prevents the wheel from rotating. Adjustments can be made to increase or decrease pressure against the wheel. Also, adjustments can be made to compensate for wear of wheel over time.



Welded T-Handle Brake (WTHB)

Welded T-handle brake is available for use on the RWM S65 and S75 series. The T-handle is hand twisted to squeeze the hub of the wheel and prevent rotation.



Field Installable Cam Wheel Brake (FICWB)

Depressing the pedal engages a non-skid pad against the wheel. Deactivate by moving the foot pedal in the opposite direction. Our field installable Cam Wheel Brakes for the 75 & 76 Series are available for roller, ball and tapered bearings on 6", 8", 10" and 12" wheels.

BRAKE OPTIONS			
Series	Recommended Brake	Recommended Bearing	Other Brake Options
27 Series	ICWB	Ball	TLB, WB
30 Series	WB (side)	Roller	
31 Series	WB (side)	Plain	
40 Series	WB (side)	Roller	
45 Series	WB (side)	Roller	ICWB
46 Series	ICWB	Roller	WB, WWB
47 Series	ICWB	Roller	WB, WWB
48 Series	ICWB	Sealed Ball	WB, WWB
52 Series	ICWB	Roller	WB, WWB
53 Series	CWB	Roller	
54 Series	CWB	Roller	
65 Series	ICWB	Roller	WB, WWB
70 Series	WB (side)	Roller	CWB
75 Series	CWB	Roller	PCWB, FICWB
76 Series	CWB	Roller	PCWB, FICWB
85 Series	3" wheels: CWB; 4" & 5": PCWB	Tapered	
95 Series	3" wheels: CWB; 4" & 5": PCWB	Tapered	
125 Series	PCWB	Tapered	FCWB
2-65 Series	CWB	Roller	
2-75 Series	CWB	Roller	
2-76 Series	CWB	Roller	
2-85 Series	3" wheels: CWB; 4" & 5": PCWB	Tapered	
2-95 Series	3" wheels: CWB; 4" & 5": PCWB	Tapered	
2-125 Series	PCWB	Tapered	
SA Series	CALL FACTORY		
Full Pneumatic	8" - 10" wheels: CWB; 12" wheels: FCWB 14" & larger: FCWB	Ball Tapered	
S46 Series	SICWB	Roller	WB
S65 Series	SICWB	Roller	SCWB, WB, WTHB
S75 Series	WTHB	Roller	SCWB

Replacement Parts

ROLLER BEARINGS						
Series	Wheel Hub	Axle & Nut	Spanner	Thrust Washer	Roller Bearing	Ball Bearing
27 w/ ball bearings	1-1/2"	5000510200				0061812BBF
30 w/ roller bearings	1-5/8"	500026180X	0221424182	10004751XX	10001040XX	
30 w/ ball bearings	1-5/8"	500026180X				
40 w/ roller bearings	1-5/8"	500026245X	0221434182	10004751XX	10001040XX	
40 w/ ball bearings	1-5/8"	500026245X				
45,46,47,48,65 w/ roller bearings	2-3/16"	5535000020	0221434242	10004751XX	100093330X	
45,46,47,48,65 w/ ball bearings	2-3/16"	5535000020				01F31086CS
52,70 w/ roller bearings 2"	2-3/16"	5535000020	0221434242	10004751XX		
52,70 w/ roller bearings 2 1/2"	2-3/4"	554000020	500021240X	10004751XX	1093340NAH	
52,70 w/ ball bearings	2-3/16"	5535000020				01F31086CS
53 w/ roller bearings	2-3/4"	500026400X	500021240X	10004752XX	0495114261	
54, 76 w/ roller bearings	3-1/4"	500026480X	500021280X	10004752XX	0495114281	
75 w/ roller bearings	3-1/4"	50006561XX	500021280X	10004752XX	0495114281	

ROLLER BEARINGS			
Part Number	ID	OD	Length
10001040XX	3/4"	1-3/16"	1-1/4"
100093330X	3/4"	1-3/16"	1-7/8"
1093340NAH	3/4"	1-3/16"	2-1/2"
0495114261	1"	1-15/16"	2-1/2"
0495114281	1"	1-15/16"	3"

BALL BEARINGS		
Part Number	ID	OD
01F31086CS	1/2"	1.192"
0061812BBF	0.38"	1.13"

AXLE & NUT ASSEMBLIES	
Axle Kit Number	Diameter & Length
5000510200	5/16" x 2-1/4"
500026180X	3/8" x 2-1/2"
500026245X	1/2" x 3"
5535000020	1/2" x 3-3/8"
5540000020	1/2" x 4-1/2"
500026400X	3/4" x 4"
500026480X	3/4" x 5"
50006561XX	3/4" x 4-3/4"

SPANNER BUSHING			THRUST WASHER		
Part Number	ID	OD	Length	Part Number	Size
0221424182	3/8"	3/4"	1-7/8"	10004751XX	3/4" X 1-1/2"
0221434182	1/2"	3/4"	1-7/8"	10004751XX	3/4" X 1-1/2"
0221434242	1/2"	3/4"	2-7/16"	10004751XX	3/4" X 1-1/2"
500021240X	3/4"	1"	3-1/16"	10004752XX	1" X 2-1/8"
500021280X	3/4"	1"	3-9/16"	10004752XX	1" X 2-1/8"

Swivel Locks

SWIVEL LOCK (SL) DEMOUNTABLE SWIVEL LOCK (DSL) NOTCHED YOKE (NY)

Plunger type swivel locks are used where it is necessary to convert swivel casters into rigid casters for aided steering control.

Demountable swivel locks (DSL) are designed for field installation or replacement of swivel locks. The swivel caster must have a notched yoke (NY) for the demountable swivel lock to operate.

PASSIVE SWIVEL LOCK (PSL)

Designed to engage and disengage when a predetermined force is applied to the swivel caster. Call the factory for availability of these options on selected casters.

HEAVY DUTY THREADED SWIVEL LOCK (HDSL)

Used in rugged applications where durability of swivel lock mechanism is required.

FOOT OPERATED SWIVEL LOCK (FOSL)

Plunger is attached to a cam lever which engages and disengages lock with foot action.



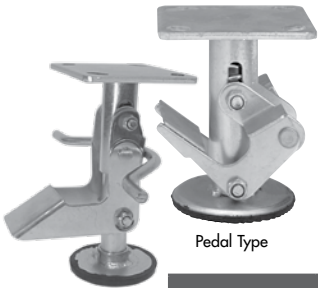
40-46-FOSL

40-76-DSL

40-125-LMST-HDSL

40-125-LMST-DSL

Floor Locks



Pedal Type

Handle-Bar Type

Floor locks prevent portable equipment from shifting or creeping when in the locked position. Engaging the floor lock is accomplished by depressing the foot pedal. Depressing the kick bar releases or retracts the floor lock. For best results under most conditions, floor locks should be installed in pairs between swivel and rigid casters. It is possible to maintain adequate locking if mounted between two swivel casters.

FEATURES

Standard Top Plate - 4" x 4-1/2" with bolt hole spacing slotted from 2-5/8" x 3-5/8" to 3" x 3". Mounting bolt size is 3/8"
Finish - Zinc Plated

SPECIFICATIONS

Wheel Diameter	Overall Operating Height	Retracted Height	Model Number	Weight in Pounds	For use with Caster Series:
HANDLE-BAR TYPE FLOOR LOCK					
3-1/2"	4-11/16"	3-11/16"	FL-35*	2.5	27
4"	5-5/8"	4-5/8"	FL-4	3.7	40, 46, 47, 65
5"	6-1/8"	5-1/8"	FL-5-1	4.5	40
	6-1/2"	5-1/2"	FL-5-2		46, 47, 65
	6-3/4"	5-3/4"	FL-5-3		70, 46 w/opt. 6-3/4 OAH
6"	7-1/4"	6-1/4"	FL-6-1	4.7	40, 46 and 47 w/opt. 7-1/4" OAH, 52 w/5" wheel
	7-1/2"	6-1/2"	FL-6-2		46, 47, 65, 52 w/ 7-1/2" OAH
	7-3/4"	6-3/4"	FL-6-3**		52, 53, 54, 70
8"	9-1/2"	8-1/2"	FL-8-1	5.1	46, 47, 65 w/opt. 9-1/2" OAH
	9-3/4"	8-3/4"	FL-8-2		52, 54
	10-1/8"	9-1/8"	FL-8-3		65, 70, 75
	10-1/2"	9-1/2"	FL-8-4		54 w/opt. 10-1/2" OAH, 76, 85, 95
PEDAL TYPE FLOOR LOCK					
4"	5-7/8"	4-5/8"	FLA-4	3.7	40, 46, 47, 65
5"	6-3/4"	5-1/2"	FLA-5	4.5	46, 47, 65
6"	7-3/4"	6-1/2"	FLA-6	4.7	46, 47, 65
8"	9-3/4"	8-1/2"	FLA-8	5.1	46, 47, 65

OPTIONAL MOUNTING PLATES

Optional Top Plate Number	Mounting Plate	Bolt Hole Spacing	Bolt Size
42-RT	4-1/2" x 6-1/2"	2-7/16" x 4-15/16"	1/2"
43-RT	5" x 5-1/2"	slotted to 3-3/8" x 5-1/4" 4-1/8" x 4-1/2"	3/8"

*FL-35 has a 2-3/4" x 3-3/4" top plate with a bolt hole spacing of 1-3/4" x 2-7/8" slotted to 1-3/4" x 3". Mounting bolt size is 5/16".

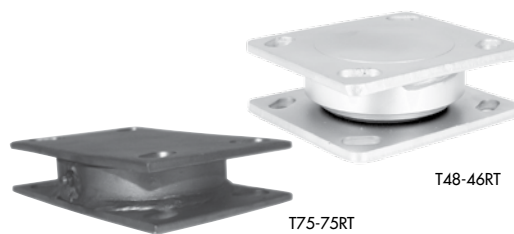
**FL-6-3 has a 4-1/2" x 6-1/2" top plate, bolt hole spacing is 2-7/16" x 4-15/16" to 3-3/8" x 5-1/4"

Consult factory for optional operating heights.

NOTE: Optional mounting plates only available on model numbers: FL-5-3, FL-6-1, FL-6-3, FL-8-2, FL-8-3 and FL-8-4.

Turntable Sections

RWM incorporates our Kingpinless™ swivel design into turntable swivel sections. This heavy duty turntable is patterned after the popular Kingpinless™ series and is built to take continuous punishment from the toughest industrial applications. They are ideal for work stations, weld tables and material container stands.



Turntable Sections
Swivel Locks & Floor Locks

SPECIFICATIONS								
Swivel Section	Mounting Plates	Overall Stack Height	Capacity lbs.	Max. Offset	Approx. Weight	Top Plate size	Bolt Hole spacing	Center Hole
47	T47-46RT(47STD)	1-1/16"	900	1-3/16"	2.6	4" x 4-1/2"	2-5/8" x 3-5/8" slotted to 3" x 3"	1"
	T47-41RT	1-1/16"			3.8	4" x 5"	2-5/8" x 3-5/8" slotted to 3" x 4"	
	T47-42RT	1-1/16"			4.8	4-1/2" x 6-1/2"	2-7/16" x 4-15/16" slotted to 3-3/8" x 5-1/4"	
	T47-43RT	1-1/16"			4.9	5" x 5-1/2"	4-1/8" x 4-1/2"	
48	T48-46RT(STD)	1-9/16"	1200	1-3/16"	3.4	4" x 4-1/2"	3/8" Dia. (2-5/8" x 3-5/8" slotted to 3" x 3")	13/16"
	T48-42RT	1-9/16"			5.1	4-1/2" x 6-1/2"	1/2" Dia. (2-7/16" x 4-15/16" slotted to 3-3/8" x 5-1/4")	
65	T65-41RT	1-9/16"	1500	1-3/16"	4.3	4" x 5"	2-5/8" x 3-5/8" slotted to 3" x 4"	1"
	T65-42RT	1-9/16"			5.3	4-1/2" x 6-1/2"	2-7/16" x 4-15/16" slotted to 3-3/8" x 5-1/4"	
	T65-43RT	1-9/16"			5.4	5" x 5-1/2"	4-1/8" x 4-1/2"	
	T65-46RT (65STD)	1-9/16"			3.13	4" x 4 1/2"	2 5/8" x 3 5/8" slotted to 3" x 3"	
	T65-54RT	1-13/16"			8.13	5-1/4" x 7-1/4"	3-3/8" x 5-1/4" slotted to 4-1/8" x 6-1/8"	
	T65-75RT	1-11/16"			6.5	4-1/2" x 6-1/2"	2-7/16" x 4-15/16" slotted to 3-3/8" x 5-1/4"	
75	T75-75RT	1-11/16"	4500	1-1/2"	7.1	4-1/2" x 6-1/2"	2-7/16" x 4-15/16" slotted to 3-3/8" x 5-1/4"	1-1/2"
	T75-76RT	1-13/16"	5200		10.7	5-1/4" x 7-1/4"	3 3/8" x 5 1/4" slotted to 4 1/8" x 6 1/8"	
	T75-90RT	2-1/16"	5200		14.1	6" x 7"	4-5/8" x 5-1/2" slotted to 4-3/8" x 5-5/8"	
	T75-95RT	2-1/16"	5200		15.4	6" x 7-1/2"	4-1/2" x 6" slotted 4-1/8" x 6-1/8"	
85	T85-90RT (85STD)	2-3/8"	7500	2-1/8"	17.5	6" x 7"	4-5/8" x 5-1/2" slotted to 4-3/8" x 5-5/8"	2"
	T85-95RT	2-3/8"			18.7	6" x 7-1/2"	4-1/2" x 6" slotted 4-1/8" x 6-1/8"	
	T85-LLRT	2-3/8"			41.1	8-1/2" x 11"	7" x 9-3/4"	
	T85-LMRT	2-3/8"			25.1	8-1/2" x 8-1/2"	7" x 7"	
95	T95-95RT	2-1/2"	10,000	2-1/4"	22.1	6-1/4" x 7-1/2"	4-1/2" x 6" slotted 4-1/8" x 6-1/8"	1"
125	T125-LLRT	2-7/8"	30,000	3-1/2"	52.1	8-1/2" x 11"	7" x 9-3/4"	4"
	T125-LMRT (125STD)	2-7/8"			36.1	8-1/2" x 8-1/2"	7" x 7"	

All dimensions are in inches except for capacity, which is in pounds.

Consult the factory for special mounting options and applications.

FEATURES	
Raceway Design	Patented Kingpinless™ single ball bearing precision machined raceway hardened to 53 Rockwell C minimum. All swivel sections are supplied with a lubrication fitting for field maintenance. See individual series section for more information.
Mounting	Choose an available mounting plate or specify a desired method. Some options include: stems, center holes, and tapped holes.
Finish	Laguna Blue paint. 47, 48 and 65 Series come standard zinc plated.

OPTIONS	
DSL	Demountable Swivel Lock*
HT	High Temperature Lubrication
LT	Low Temperature Lubrication
NY	Notched Yoke
OM	Optional Mounting
SL	Swivel Lock
SR	Sealed Raceway
SS	Stainless Steel (65, 75 only)
ZP	Zinc Plated

Available in Stainless Steel, contact factory.

*When ordering the Demountable Swivel Lock (DSL), you must also order the Notched Yoke (NY).

UP TO 30,000 POUND CAPACITY

RWM TwinWheel™ casters come in a variety of sizes with many stem options and small top plates. The wheels work independently, enabling easy swivel action. These casters are great for medical equipment, audio-visual carts, institutional equipment and other light duty institutional applications.

SPECIFICATIONS							
TWINWHEEL™ Part Number	Wheel Diameter	Wheel Type	Capacity lbs.	Stem/Plate	Stem/Plate Dimension	Overall Height	Swivel Radius
TW-NY-40MM-S	1-1/2" (40mm)	Nylon	50	Plate	1-1/2" Square Top Plate with 1" Spacing	2-3/16"	1-9/16"
TW-NY-40MM-S-SC				Stem	1-19/32" Grip Neck Wood Stem	2-1/16"	1-9/16"
TW-NY-40MM-S-SC-WB				Stem	1-19/32" Grip Neck Wood Stem	2-1/16"	1-15/16"
TW-NY-40MM-S-WB				Plate	1-1/2" Square Top Plate with 1" Spacing	2-3/16"	1-15/16"
TW-NY-50MM-S	2" (50mm)	Nylon	66	Plate	1-1/2" Square Top Plate with 1" Spacing	2-3/16"	2"
TW-NY-50MM-S-SC				Stem	1-19/32" Grip Neck Wood Stem	2-3/8"	2"
TW-NY-50MM-S-WB				Plate	1-1/2" Square Top Plate with 1" Spacing	2-9/16"	2-3/8"
TW-NY-50MM-S-SC-WB				Stem	1-19/32" Grip Neck Wood Stem	2-3/8"	2-3/8"
TW-NY-100MM-S-SC	4" (100mm)	Nylon	220	Stem	7/16" x 1" Grip Ring Stem	4-1/4"	3-1/2"
TW-NY-100MM-S-SC-THD				Stem	1/2" - 13" x 1" Threaded Stem	4-1/4"	3-1/2"
TW-NY-100MM-S-SC-THD-WB				Stem	1/2" - 13" x 1" Threaded Stem	4-1/4"	4-1/2"
TW-NY-100MM-S-SC-WB				Stem	7/16" x 1" Grip Ring Stem	4-1/4"	4-1/2"
TW-PU-100MM-S-SC	4" (100mm)	Polyurethane	220	Stem	7/16" x 1" Grip Ring Stem	4-7/16"	3-1/2"
TW-PU-100MM-S-SC-THD				Stem	1/2" - 13" x 1" Threaded Stem	4-1/2"	3-1/2"
TW-PU-100MM-S-SC-THD-WB				Stem	1/2" - 13" x 1" Threaded Stem	4-1/2"	4-1/2"
TW-PU-100MM-S-SC-WB				Stem	7/16" x 1" Grip Ring Stem	4-7/16"	4-1/2"
TW-NY-125MM-S-SC-WB	5" (125mm)	Nylon	220	Stem	7/16" x 1-1/4" Grip Ring Stem	5-1/2"	4-3/4"
TW-NY-125MM-S-SC-WB	5" (125mm)	Nylon	250	Stem	7/16" x 1-1/2" Grip Ring Stem	5-1/2"	4-3/4"
TW-NY-125MM-S-SC-THD-WB				Stem	1/2" - 13" x 1" Threaded	5-7/16"	4-3/4"
TW-NY-125MM-S-SC-THD				Stem	1/2" - 13" x 1" Threaded	5-7/16"	4-3/4"
TW-NY-125MM-S-SC-THD				Stem	1/2" - 13" x 1" Threaded	5-7/16"	4-3/4"

A variety of stems and mounting plates not listed are also available.



UP TO 250 POUND CAPACITY

RWM's CargoMax™ is the strongest, most durable air cargo caster on the market. The CargoMax™ caster features an optional demountable foot guard built specifically for use on sorting decks. The foot guard prevents foot entry into the caster mounting hole on decks and assists in providing a safer, more productive working environment on sortation decks.



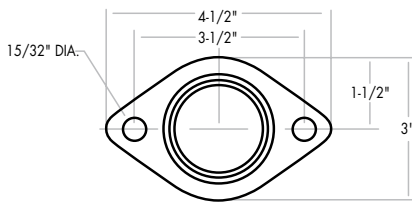
26-USB-2713-S-TG

FEATURES	
Precision Ball Bearing	All wheels and swivel raceways have precision ball bearings for better load distribution, strength in side thrust application, and ease of mobility.
Dust Shield, Water Guard & Thread Guard	Prevents wheel and swivel assembly from becoming contaminated
Finish	Zinc plated to protect against corrosion

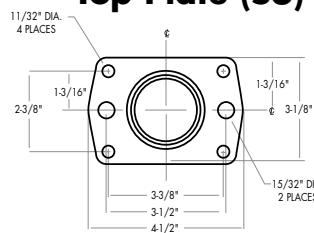
SPECIFICATIONS							
Wheel Diameter	Wheel Width	Wheel Type	Capacity lbs.	Overall Height	Ball Bearing	Swivel Lead	Approx Weight lbs.
2-5/16"	1-5/16"	Hytrek	500	3-25/32"	26-USB-2313-S-TG	1"	1.62
					26-USB-2313-S6-TG		1.62
					26-USB-2313-S-TG-FG		2.46
					26-USB-2313-S6-TG-FG		2.46
2-3/4"	1-5/16"	Hytrek	500	4"	26-USB-2713-S-TG	1"	1.705
					26-USB-2713-S6-TG		1.705
					26-USB-2713-S-TG-FG		2.54
					26-USB-2713-S6-TG-FG		2.54

OPTIONS	
FG	Foot Guard

Standard Top Plate (S)



Optional Rectangular Top Plate (S6)



Available with optional foot guard

26-USB-2713-S-TG-FG

Twinwheel™ Casters

Economy Inverted Cargo Casters

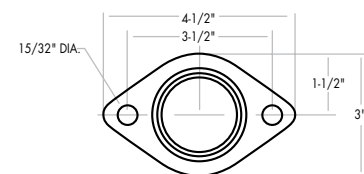
This caster has been optimally designed for air cargo and conveyor applications. It features a heat-treated, hardened raceway for added durability and offers a true 300 pound capacity. The light weight phenolic wheel offers high impact resistance, ease of rollability and resistance to moisture and chemicals. This caster includes a dust cap and thread guards.

Ideal for: airline/aerospace industry, light duty cargo handling, textile industry, conveyor applications and freight handling.



MODEL 26-DUB-0312-S-TG-LD

FEATURES	
Raceway Design	Hardened
Dust Shield, Water Guard & Thread Guard	Prevents wheel and swivel assembly from becoming contaminated
Capacity	True 300 lbs.
Finish	Zinc plated to protect against corrosion



SPECIFICATIONS									
Wheel Diameter	Wheel Width	Wheel Type	DBL	Axle Diameter	Capacity	Overall Height	Ball Bearing	Swivel Lead	Approx Weight lbs.
3"	1-1/4"	Phenolic	1-5/8"	5/16"	300	4"	26-DUB-0312-S-TG-LD	1"	1.0

UP TO 500 POUND CAPACITY

Office Product Casters

RAPIDSTOCK
Light Duty Casters



OP-POP-0320-S

The Office Product Caster is ideal for use with copiers, computers, large printers and vending machines. The polypropylene wheel offers excellent floor and carpet protection, quiet operation and has excellent impact resistance.

FEATURES	
Swivel Section	Double ball bearing raceway
Kingpin	1/2" diameter hydraulically pressed kingpin
Axle	1/2" diameter
Finish	Zinc
Wheels	Only available in 3" diameter with plain bearing
Mounting Plate Size	3-1/8" x 4-1/8"
Bolt Hole Spacing	2-3/8" x 3-3/8"
Mounting Bolt Diameter	5/16"

SPECIFICATIONS							
Wheel Diameter	Wheel Width	Wheel Type	Capacity	Overall Height	Plain Bearing	Swivel Lead	Approx Weight
3"	2"	Polypropylene	550 lbs	4"	OP-POP-0320-S	2-1/2"	2.0

Office Product, Shopping Cart, & LS Casters
VersaTrac™ 27 Series Casters & Stems

Shopping Cart Casters

RAPIDSTOCK
Light Duty Casters



27-UPB-0512-S-SC

Provides easy rollability and quiet operation. Rigs are zinc plated to resist rust and corrosion.

FEATURES	
Stem Size	1/2 inch diameter 13 NC thread 1" long
Rigs	Zinc Plated

SPECIFICATIONS							
Wheel Diameter	Wheel Width	Wheel Type	Capacity	Overall Height	Ball Bearing	Swivel Lead	Approx Weight
5"	1-1/4"	Urethane Polypropylene	300 lbs	6-5/16"	27-UPB-0512-S-SC	1-3/16"	3.0

LS Series Casters

RAPIDSTOCK
Locking Stem Scaffold Casters



LS-RIR-0820-S-EC

FEATURES	
Swivel Section	Cold forged double ball raceway. Swivel section is equipped with a lubrication fitting for field maintenance. Legs are made from 1/4" steel and are welded to the outer race both inside and out for added strength. The brake support brackets are an integral part of the leg stamping; not welded on. This ensures accurate brake lever positioning and provides a sturdier brake support structure. Stepping on the brake handle simultaneously locks the wheel and swivel assembly. The swivel lock portion uses serrations in the brake lever and top plate to ensure a positive lock.
Kingpin	5/8" diameter bolt and lock nut
Stem	1-3/8" diameter 3-3/4" long with a 7/16" diameter hole drilled 2-5/16" up from the top plate
Axle	1/2" diameter steel
Finish	Zinc plated to protect against corrosion
Wheel	Rubber on iron core with an axle lubrication fitting included

SPECIFICATIONS							
Wheel Diameter	Wheel Width	Wheel Type	Capacity	Overall Height	Straight Roller Bearing	Swivel Lead	Approx Weight
6"	2"	Rubber on Iron	410 lbs	7-1/2"	LS-RIR-0620-S-EC	1-15/16"	10.0
8"	2"	Rubber on Iron	500 lbs	9-1/4" ± 1/16"	LS-RIR-0820-S-EC	2-1/4"	12.0

UP TO 550 POUND CAPACITY

The VersaTrac 27[®] Series casters provide solutions to a wide range of institutional and industrial applications. This caster is available in multiple styles and sizes. It is offered in numerous top plates and stem choices and is available with nine standard wheel combinations. This is an excellent durable and reliable caster. It includes extra thick material in the top plate, yoke and raceways. It is heat treated for extended service life and comes standard with a metal dust shield. This series provides the ultimate in value at very competitive prices.



27-RPB-0412-S-TG

FEATURES	
Swivel Section	Two complete 2.75 mm shielded heat treated raceways, which prevents brinelling, provides improved swivel action and extends service life.
Kingpin	1/2" diameter kingpin for increased swivel strength
Axle	3/8" diameter with lock nut
Finish	Zinc plated to protect against corrosion
Wheels	A wide variety of 3" through 5" diameter available with either roller, ball, celcon, oilite or plain bearings
Mounting Plate Size	Swivel: 2-5/8" x 3-3/4" x 3.5 mm Rigid: 2-5/8" x 3-3/4" x 2.75mm
Bolt Hole Spacing	2-7/8" x 1-3/4"
Mounting Bolt Diameter	5/16"

OPTIONAL MOUNTING PLATES		
Optional Top Plate Number	Mounting Plate	Bolt Hole Spacing
ST1	3-1/8" x 4-1/8"	1-3/4" x 2-7/8" slotted to 2-3/8" x 3-7/16"
ST2	4" x 4-1/2"	2-5/8" x 3-5/8" slotted to 3" x 3"

SPECIFICATIONS									
Wheel Diameter	Wheel Width	Wheel Type	Capacity lbs.	Overall Height	Swivel Caster Model Number			Swivel Lead	Approx Weight lbs.
					Straight Roller Bearing	Ball Bearing	Plain, Oilite, Celcon Bearing		
3"	1-1/4"	Cast Iron	300	4-1/4"			27-CIP-0312S	1-1/4"	2.8
		Hard Rubber	250				27-HRO-0312S		1.8
		High-Temp. Nylon	300				27-HNP-0312S		1.7
		Performance TPR	190				27-RPC-0312S		1.7
		Phenolic	250				27-DUC-0312S		1.7
		Polyolefin	250				27-POP-0312S		1.5
		Soft Rubber	150				27-SRO-0312S		1.8
		Urethane Polypropylene	225				27-UPB-0312S		1.8
		27-RPB-0312S							
3-1/2"	1-1/4"	Cast Iron	300	4-3/4"			27-CIP-3512S	1-5/16"	3.0
		Hard Rubber	250				27-HRO-3512S		2.0
		Performance TPR	200				27-RPC-3512S		1.9
		Phenolic	275				27-DUC-3512S		1.9
		Polyolefin	275				27-POP-3512S		1.7
		Soft Rubber	150				27-SRO-3512S		2.0
		Urethane Polypropylene	250				27-UPB-3512S		2.0
		27-RPB-3512R							
		4"	1-1/4"				Cast Iron		300
Elastic Rubber	250			27-HRO-0412S	2.0				
Hard Rubber	260			27-HNP-0412S	2.2				
High-Temp. Nylon	300			27-RPC-0412S	1.8				
Performance TPR	275			27-DUC-0412S	1.9				
Phenolic	300			27-POP-0412S	2.1				
Polyolefin	300			27-SRO-0412S	1.6				
Soft Rubber	180			27-UPB-0412S	2.2				
Urethane Polypropylene	275				2.0				
5"	1-1/4"	Cast Iron	300	6-5/16"	27-EPR-0512S		27-CIP-0512S	1-5/16"	3.9
		Elastic Rubber	300				27-HRO-0512S		2.2
		Hard Rubber	280				27-HNP-0512S		2.7
		High-Temp. Nylon	300				27-RPC-0512S		2.0
		Performance TPR	300				27-DUC-0512S		2.1
		Phenolic	300				27-POP-0512S		2.2
		Polyolefin	300				27-SRO-0512S		1.8
		Soft Rubber	200				27-UPB-0512S		2.7
		Urethane Polypropylene	300						2.2

OPTIONS	
ICWB	Field Installable Face Contact Brake
TG	Thread Guard
TLB	Total Lock Brake - Swivel Only
WB	Side Wheel Brake

To order a rigid caster, change the "S" to "R" in the model number. For example, 27-UPB-0512-R. To order the rig only, omit the blue letters, for example 27-0512-S. Note: (1.) For weight of Total Lock Caster add .24 pounds. (2.) For weight of Rigid Caster deduct .7 pounds. (3.) Total Lock Wheel Brake should not be used on hard wheels. For best performance, use only on soft wheel material. Dimensions shown are nominal. If precise dimensions are required, please consult the factory.

Many stems and hollow kingpin sizes are available. Contact factory for more information.



Available NSF Products: All casters except those with thread guards, cast iron, elastic rubber or soft rubber wheels. Add "N" to the end of the model number to specify an NSF approved caster. For example: 27-HNP-0312-S-N.

VersaTrac™ 27 Series Casters & Stems
Office Product, Shopping Cart, & IS Casters

UP TO 300 POUND CAPACITY

Interchangeable Stem Casters

For our 27 Series

Ask for our 27 Series hollow kingpin rig and bolt on the stem you need!

MODEL	DESCRIPTION
BOLT ON STEMS	
116 Stem	7/8" x 2" Square Stem with holes
117 Stem	7/16" x 1 1/2" Threaded Stem
118 Stem	5/8"-11 x 1 3/4" Threaded Stem
119 Stem	3/4"-10 x 1 3/4" Threaded Stem
128 Stem	5/8" x 2-3/16" Grip Rings
129 Stem	13/16" x 2-3/16" Grip Rings
RIGS	
27-0312-S-HKP-1/2"	27 Series 3" x 1 1/4" with hollow kingpin 1/2"
27-0412-S-HKP-1/2"	27 Series 4" x 1 1/4" with hollow kingpin 1/2"
27-0512-S-HKP-1/2"	27 Series 5" x 1 1/4" with hollow kingpin 1/2"
10007030XX	Nut to assemble



30 Series Casters



Light Medium Duty Casters

The 30 Series caster is ideal for light and medium duty applications. With a large variety of wheel types, brake options and two complete heat treated raceways, this caster is ideal for a variety of applications. The hydraulically pressed kingpin provides increased strength.



30-DUR-0415-S

FEATURES	
Swivel Section	Two heat treated raceways, which prevent brinelling, provide improved swivel action and increased service life
Kingpin	5/8" diameter hydraulically pressed to provide increased strength in the swivel section compared to simply staking the rivet
Axle	3/8" diameter with lock nut that is drilled for lubrication
Finish	Zinc plated to protect against corrosion
Wheels	A wide variety of 3" through 6" diameters available with either roller bearing, annular bearing or celcon bearings
Mounting Plate Size	3-3/4" x 4-1/4"
Bolt Hole Spacing	2-3/8" x 3-7/16" slotted to 3" x 3"
Mounting Bolt Diameter	3/8"

30 Series Casters
31 Series Casters

UP TO 575 POUND CAPACITY

SPECIFICATIONS										
Wheel Diameter	Wheel Width	Wheel Type	Capacity lbs.	Overall Height	Swivel Caster Model Number			Swivel Lead	Approx Weight lbs.	
					Straight Roller Bearing	Ball Bearing	Plain, Oilite, Celcon Bearing			
3"	1-1/2"	Cast Iron	350	4-3/8"	30-CIR-0315-S	30-CIB-0315-S	30-CIC-0315-S	1-3/8"	4.2	
		Durastan	575		30-DUR-0315-S	30-DUB-0315-S	30-DUC-0315-S		3.0	
		Cast Iron	500		30-CIR-0415-S	30-CIB-0415-S	30-CIC-0415-S		5.0	
		Durastan	575		30-DUR-0415-S	30-DUB-0415-S	30-DUC-0415-S		3.4	
4"	1-1/2"	GT	575	5-3/8"		30-GTB-0415-S		1-3/8"	3.4	
		Hard Rubber	375		30-HRR-0415-S		30-HRC-0415-S		3.0	
		Performance TPR	325		30-RPR-0415-S	30-RPB-0415-S	30-RPC-0415-S		3.0	
		Polyolefin	375		30-POR-0415-S	30-POB-0415-S	30-POC-0415-S		3.1	
		Rubber on Iron	250		30-RIR-0415-S		30-RIC-0415-S		4.6	
		Soft Rubber	200		30-SRR-0415-S	30-SRB-0415-S	30-SRC-0415-S		3.5	
		Urethane on Aluminum	575		30-UAR-0415-S		30-UAC-0415-S		3.8	
		Urethane on Iron	575		30-UIR-0415-S	30-UIB-0415-S	30-UIC-0415-S		4.6	
		Urethane Polyolefin	500		30-UPR-0415-S	30-UPB-0415-S	30-UPC-0415-S		3.6	
		Urethane Solid	300		30-USR-0415-S	30-USB-0415-S	30-USC-0415-S		3.9	
		V-Groove	575		30-VIR-0415-S		30-VIC-0415-S		4.7	
		5"	1-1/2"		Cast Iron	575	6-3/8"		30-CIR-0515-S	30-CIB-0515-S
Durastan	575			30-DUR-0515-S	30-DUB-0515-S	30-DUC-0515-S		5.0		
GT	575				30-GTB-0515-S			4.7		
Performance TPR	350			30-RPR-0515-S	30-RPB-0515-S	30-RPC-0515-S		4.2		
Polyolefin	440			30-POR-0515-S	30-POB-0515-S	30-POC-0515-S		4.0		
Rubber on Iron	300			30-RIR-0515-S		30-RIC-0515-S		6.0		
Soft Rubber	240			30-SRR-0515-S	30-SRB-0515-S	30-SRC-0515-S		4.7		
Urethane on Aluminum	575			30-UAR-0515-S		30-UAC-0515-S		4.4		
Urethane on Iron	575			30-UIR-0515-S	30-UIB-0515-S	30-UIC-0515-S		6.0		
Urethane Polyolefin	575			30-UPR-0515-S	30-UPB-0515-S	30-UPC-0515-S		4.7		
Urethane Solid	330			30-USR-0515-S	30-USB-0515-S	30-USC-0515-S		4.9		
6"	1-1/2"			Cast Iron	575	7-3/8"		30-CIR-0615-S	30-CIB-0615-S	30-CIC-0615-S
		Durastan	575	30-DUR-0615-S	30-DUB-0615-S		30-DUC-0615-S	4.4		
		GT	575		30-GTB-0615-S			5.4		
		Performance TPR	475	30-RPR-0615-S	30-RPB-0615-S		30-RPC-0615-S	4.3		
		Rubber on Iron	370	30-RIR-0615-S			30-RIC-0615-S	6.7		
		Soft Rubber	250	30-SRR-0615-S	30-SRB-0615-S		30-SRC-0615-S	5.0		
		Urethane on Iron	575	30-UIR-0615-S	30-UIB-0615-S		30-UIC-0615-S	5.2		
		Urethane Polyolefin	575	30-UPR-0615-S	30-UPB-0615-S		30-UPC-0615-S	5.0		

OPTIONS	
CWB	Cam Wheel Brake
WB	Side Wheel Brake*
SR	Sealed Swivel
TG	Thread Guard

*Wheel Brake (WB) not available on the 3" wheel diameter.

Available NSF Products:
All casters except those with thread guards, sealed swivels, cast iron, rubber on iron, soft rubber, urethane on aluminum, urethane on iron, urethane solid or V-groove wheels. Add "N" to the end of the model number to specify an NSF approved caster. For example: 30-DUR-0315-S-N.

OPTIONAL MOUNTING PLATES			
Optional Top Plate Number	Mounting Plate	Bolt Hole Spacing	Bolt Size
ST10 RT10	2-1/2" x 3-5/8"	1-3/4" x 2-7/8" slotted to 1-3/4" x 3"	3/8"

To order a rigid caster, change the "S" to "R" in the model number. For example, "30-CIB-0315-R". To order the rig only, omit the blue letters. For example: "30-0315-S". Dimensions shown are nominal. If precise dimensions are required, consult your RWM representative. For approximate weight of our rigid casters, deduct 0.8 pounds per item.

The RWM 31 Series is perfect for a wide range of light duty industrial, institutional, material handling, and general purpose applications. The heavy duty zinc plate finish is both attractive and corrosion resistant. Swivel models provide greater maneuverability, while rigid models offer straight line mobility. Brake options are available on swivel models only.



31-POP-0312-S-WB

FEATURES	
Swivel Section	Economical single ball bearing raceway used for most light duty applications
Kingpin	1/2" diameter kingpin for increased swivel strength
Finish	Zinc plated to protect against corrosion
Wheels	A wide variety of 2" through 4" diameters available with plain bearings

SPECIFICATIONS							
Wheel Diameter	Wheel Width	Wheel Type	Capacity lbs.	Overall Height	Plain, Oilite, Celcon Bearing	Swivel Lead	Approx Weight lbs.
2"	13/16"	Cast Iron	150	2-1/2"	31-CIP-0208-S	3/4"	1.1
		Hard Rubber	125		31-HRP-0208-S		0.9
		Polyolefin	125		31-POP-0208-S		0.8
		Soft Rubber	125		31-SRP-0208-S		0.9
2-1/2"	1-1/8"	Cast Iron	200	3-1/4"	31-CIP-2511-S	15/16"	1.8
		Hard Rubber	160		31-HRP-2511-S		1.5
		Polyolefin	175		31-POP-2511-S		1.3
		Soft Rubber	175		31-SRP-2511-S		1.4
3"	1-1/4"	Cast Iron	250	3-13/16"	31-CIP-0312-S	15/16"	2.2
		Hard Rubber	200		31-HRP-0312-S		1.8
		Polyolefin	225		31-POP-0312-S		1.3
		Soft Rubber	210		31-SRP-0312-S		1.7
4"	1-1/4"	Cast Iron	400	5"	31-CIP-0412-S	1-1/8"	4.5
		Hard Rubber	350		31-HRP-0412-S		3.1
		Polyolefin	350		31-POP-0412-S		2.3
		Soft Rubber	240		31-SRP-0412-S		3.0

OPTIONS	
WB	Side Wheel Brake on Swivel only

NSF
COMPONENT

Available NSF Products:
All casters except those with cast iron or soft rubber wheels. Add "N" to the end of the model number to specify an NSF approved caster.
For example:
31-POP-0312-S-N.

To order a rigid caster, change the "S" to "R" in the model number. For example, "31-CIP-0208-R".
If precise dimensions are required, consult your RWM representative.
For approximate weight of our rigid casters, deduct 0.8 pounds per item.

MOUNTING PLATES			
Wheel Size	Mounting Plate	Bolt Hole Spacing	Bolt Size
SWIVEL CASTERS			
2"	1-7/8" x 2-9/16"	15/16" x 2-1/8"	1/4"
2-1/2"	2-3/4" x 3-7/8"	1-3/4" x 3"	5/16"
3"	3-1/8" x 4-1/8"	2-3/8" x 3-3/8"	5/16"
4"	4" x 5-1/8"	3" x 4"	3/8"
RIGID CASTERS			
2"	1-1/2" x 2-21/32"	15/16" x 2-1/8"	1/4"
2-1/2"	2-1/4" x 4-7/16"	1-1/16" x 3-1/2"	5/16"
3"	2-1/2" x 4-15/16"	1-3/16" x 4"	5/16"
4"	3-1/8" x 6"	1-3/4" x 5"	3/8"

31 Series Casters

UP TO 400 POUND CAPACITY

40 Series Casters



Medium Duty Casters



40-GTB-0415-S

The 40 Series Casters have been used in a wide variety of applications for many years. The load ratings fit a wide variety of manufacturing and warehousing uses. This series is designed for use on scrap bins, parts boxes, dollies and racks.

FEATURES	
Swivel Section	Cold forged top plate, yoke and button are all heat treated to prevent brinelling, improve swivel action and increase service life. Load and thrust bearings are hardened and ground and rotate on hardened raceways. Top plate and legs are 1/4" steel. Legs are formed for increased strength and continuously welded to yoke. All swivel sections are equipped with a lubrication fitting for field maintenance. RWM lubricates all swivel sections prior to shipment. Notched yokes are standard.
Kingpin	5/8" diameter rivet hydraulically compressed to increase strength of swivel section as compared to staking
Axle	1/2" diameter drilled axle with lubrication fitting provided on all casters to improve ease of lubrication
Finish	Zinc plated to protect against corrosion
Wheels	A wide variety of 3" through 6" diameters available with either roller bearing, ball bearing, celcon, oilite or plain bearings.
Mounting Plate Size	4" x 4-1/2" x 1/4"
Bolt Hole Spacing	2-5/8" x 3-5/8", slotted to 3" x 3"
Mounting Bolt Diameter	3/8"

40 Series Casters
45 Series Casters

UP TO 1200 POUND CAPACITY

SPECIFICATIONS										OPTIONS	
Wheel Diameter	Wheel Width	Wheel Type	lbs. Capacity	Overall Height	Swivel Caster Model Number			Swivel Lead	Approx. Weight	HT	IW
					Straight Roller Bearing	Ball Bearing	Plain, Oilite, Celcon Bearing				
3"	1-3/4"	Durastan	400	4-1/2"	40-DUR-0317-S		40-DUC-0317-S	1-3/16"	4.0		
3-1/4"	1-1/2"	Cast Iron	700	4-5/8"	40-CIR-3215-S		40-CIP-3215-S	1-3/16"	5.4		
		Durastan	600		40-DUR-3215-S		40-DUC-3215-S			5.6	
3-5/8"	1-1/2"	Urethane on Aluminum	420	4-13/16"	40-UAR-3515-S		40-UAC-3515-S	1-3/16"	4.3		
		Cast Iron	500		40-CIR-0415-S	40-CIB-0415-S	40-CIP-0415-S			5.8	
4"	1-1/2"	Durastan	600	5-5/8"	40-DUR-0415-S	40-DUB-0415-S	40-DUC-0415-S	1-3/8"	4.4		
		Forged Steel	1200		40-FSR-0415-S		40-FSC-0415-S			6.5	
		GT	900			40-GTB-0415-S				4.4	
		Hard Rubber	400				40-HRO-0415-S			4.7	
		Performance TPR	325		40-RPR-0415-S	40-RPB-0415-S	40-RPC-0415-S			4.8	
		Polyolefin	375		40-POR-0415-S	40-POB-0415-S	40-POP-0415-S			4.1	
		Rubber on Iron	250		40-RIR-0415-S		40-RIC-0415-S			6.0	
		Soft Rubber	200				40-SRO-0415-S			4.6	
		Urethane on Aluminum	600		40-UAR-0415-S		40-UAC-0415-S			4.4	
		Urethane on Iron	600		40-UIR-0415-S	40-UIB-0415-S	40-UIC-0415-S			6.0	
		Urethane on Plastic	500		40-UPR-0415-S	40-UPB-0415-S	40-UPC-0415-S			4.8	
		Urethane Solid	300		40-USR-0415-S		40-USC-0415-S			4.1	
		V-Groove Iron	700		40-VIR-0415-S		40-VIP-0415-S			6.8	
		5"	1-1/2"		Cast Iron	600	6-1/8"			40-CIR-0515-S	40-CIB-0515-S
Durastan	650			40-DUR-0515-S	40-DUB-0515-S	40-DUC-0515-S		4.9			
GT	1000				40-GTB-0515-S			4.9			
Performance TPR	350			40-RPR-0515-S	40-RPB-0515-S	40-RPC-0515-S		5.3			
Polyolefin	440			40-POR-0515-S	40-POB-0515-S	40-POP-0515-S		4.4			
Rubber on Iron	300			40-RIR-0515-S		40-RIC-0515-S		5.4			
Soft Rubber	240					40-SRO-0515-S		5.8			
Urethane on Aluminum	720			40-UAR-0515-S		40-UAC-0515-S		5.0			
Urethane on Iron	720			40-UIR-0515-S	40-UIB-0515-S	40-UIC-0515-S		5.0			
Urethane on Plastic	700			40-UPR-0515-S	40-UPB-0515-S	40-UPC-0515-S		5.3			
Urethane Solid	330	40-USR-0515-S	40-USB-0515-S	40-USC-0515-S	6.0						
6"	1-1/2"	Cast Iron	600	7-1/4"	40-CIR-0615-S	40-CIB-0615-S	40-CIP-0615-S	1-5/8"	7.8		
		Durastan	800		40-DUR-0615-S	40-DUB-0615-S	40-DUC-0615-S			5.4	
		GT	1200			40-GTB-0615-S				5.4	
		Performance TPR	475		40-RPR-0615-S	40-RPB-0615-S	40-RPC-0615-S			5.7	
		Rubber on Iron	370		40-RIR-0615-S		40-RIC-0615-S			6.8	
		Urethane on Iron	840		40-UIR-0615-S	40-UIB-0615-S	40-UIC-0615-S			7.9	
Urethane on Plastic	800	40-UPR-0615-S	40-UPB-0615-S	40-UPC-0615-S	5.7						

*Only available with roller bearings.

To order a rigid caster, change the "S" to "R" in the model number. For example: "40-DUR-0317-R". To order a rig only, omit the blue letters. For example: "40-0317-S". Dimensions shown are nominal. If precise dimensions are required, consult your RWM representative. For approximate weight of our rigid casters, deduct 0.5 pounds per item.

OPTIONAL MOUNTING PLATES			
Optional Top Plate Number	Mounting Plate	Bolt Hole Spacing	Bolt Size
41ST 41RT	4" x 5"	2-5/8" x 3-5/8" slotted to 3" x 4"	3/8"
42ST 42RT	4-1/2" x 6-1/2"	2-7/16" x 4-15/16" slotted to 3-3/8" x 5-1/4"	1/2"
43ST 43RT	5" x 5-1/2"	4-1/8" x 4-1/2"	3/8"

OPTIONAL OVERALL HEIGHTS	
Wheel Diameter	Overall Height
3"	4-1/4"
4"	5-1/4"
5"	6-1/2"
5"	6-3/8"
6"	7-1/2"
6"	7-3/8"
6"	7-3/4"

The 45 Series is an economical version of our 46 Series. Typical applications include: dollies, shop carts, scrap bins and floor trucks. Total lock capability on all sizes. Five brake options to best meet your requirements.



45-RPR-0620-S-FCSTLB

FEATURES	
Swivel Section	Heat treated double ball raceways. Optional top plates available.
Kingpin	5/8" diameter rivet hydraulically pressed
Axle	1/2" diameter drilled axle with lubrication fitting
Finish	Zinc plated to protect against corrosion
Mounting Plate Size	4" x 4-1/2" x 1/4"
Bolt Hole Spacing	2-5/8" x 3-5/8" slotted to 3" x 3"
Mounting Bolt Diameter	3/8"
Temperature Range	-40°F to +176°F

SPECIFICATIONS							
Wheel Diameter	Wheel Width	Wheel Type	lbs. Capacity	Overall Height	Straight Roller Bearing	Swivel Lead	lbs. Approx Weight
4"	2"	Durastan	800	5-5/8"	45-DUR-0420-S	1-9/16"	5.2
		Cast Iron	800		45-CIR-0420-S		6.5
		Performance TPR	350		45-RPR-0420-S		5.3
		Polyolefin	500		45-POR-0420-S		4.8
		Rubber on Iron	350		45-RIR-0420-S		7.5
		Signature Wheel	400		45-SWR-0420-S		5.5
		Urethane on Iron	700		45-UIR-0420-S		6.6
		Urethane on Plastic	600		45-UPR-0420-S		5.3
		Pinnacle Wheel	800		45-PNR-0420-S		5.2
5"	2"	Durastan	1000	6-1/2"	45-DUR-0520-S	1-3/4"	5.4
		Cast Iron	1000		45-CIR-0520-S		7.8
		Performance TPR	375		45-RPR-0520-S		5.3
		Polyolefin	650		45-POR-0520-S		4.6
		Rubber on Iron	400		45-RIR-0520-S		7.6
		Signature Wheel	500		45-SWR-0520-S		5.7
		Urethane on Iron	1050		45-UIR-0520-S		7.7
		Urethane on Plastic	750		45-UPR-0520-S		5.3
		Pinnacle Wheel	1000		45-PNR-0520-S		5.6
6"	2"	Durastan	1200	7-1/2"	45-DUR-0620-S	21/8"	6.3
		Cast Iron	1200		45-CIR-0620-S		9.1
		Performance TPR	525		45-RPR-0620-S		5.7
		Polyolefin	700		45-POR-0620-S		5.0
		Rubber on Iron	410		45-RIR-0620-S		7.8
		Signature Wheel	600		45-SWR-0620-S		6.4
		Urethane on Iron	1200		45-UIR-0620-S		8.8
		Urethane on Plastic	900		45-UPR-0620-S		5.7
		Pinnacle Wheel	1200		45-PNR-0620-S		6.2
8"	2"	Durastan	1200	9-1/2"	45-DUR-0820-S	2-5/8"	7.7
		Cast Iron	1200		45-CIR-0820-S		13.3
		Performance TPR	600		45-RPR-0820-S		7.1
		Polyolefin	800		45-POR-0820-S		5.8
		Rubber on Iron	500		45-RIR-0820-S		10.1
		Signature Wheel	700		45-SWR-0820-S		7.1
		Urethane on Iron	1200		45-UIR-0820-S		12.1
		Urethane on Plastic	1000		45-UPR-0820-S		7.7
		Pinnacle Wheel	1200		45-PNR-0820-S		6.9

OPTIONS	
FCNB	Face Contact Nylon Brake
FCNTLB	Face Contact Nylon Total Lock Brake
WB	Steel Side Brake
FCSTLB	Face Contact Steel Total Lock Brake
WBT	Steel Side Brake Tread
DSL	Demountable Swivel Lock
FOSL	Foot Operated Swivel Lock
TG	Thread Guards

To order a rigid caster, change the "S" to "R" in the model number. For example: "45-DUR-0420-R". To order a rig only, omit the blue letters. For example: "45-0420-S". Dimensions shown are nominal. If precise dimensions are required, consult your RWM representative. For approximate weight of our rigid casters, deduct 0.9 pounds per item.

OPTIONAL OVERALL HEIGHTS	
Wheel Diameter	Overall Height
6"	7-1/4"



45-RPR-0620-S-FCNTLB



45-RPR-0620-S-FCNB



45-DUR-0620-S-WBT



45-DUR-0820-S-WB

45 Series Casters

UP TO 1200 POUND CAPACITY

46 Series Casters

Medium Heavy Duty Casters



46-UJR-0620-S

The 46 Series Casters are designed for medium heavy duty applications. Typical applications include: dollies, shop carts, scrap bins and warehouse trucks.

FEATURES	
Swivel Section	Cold forged top plate, yoke and button are all heat treated to prevent brinelling, improve swivel action and increase service life. Load and thrust bearings are hardened and ground and rotate on hardened raceways. Top plate and legs are 1/4" steel, legs formed for increased strength and continuously welded to yoke. All swivel sections are equipped with a lubrication fitting for field maintenance. RWM lubricates all swivel sections prior to shipment. Notched yokes are standard.
Kingpin	5/8" diameter rivet hydraulically compressed to increase strength of swivel section as compared to staking
Axle	1/2" diameter drilled axle with lubrication fitting provided on all casters to improve ease of lubrication
Finish	Zinc plated to protect from corrosion
Wheels	A wide variety of 3-1/4" through 8" diameters available with either roller, ball bearing, celcon or plain bearings.
Mounting Plate Size	4" x 4-1/2" x 1/4" Bolt Hole Spacing 2-5/8" x 3-5/8", slotted to 3" x 3" Mounting Bolt Diameter 3/8"

OPTIONS	
DSL	Demountable Swivel Lock
HT	High Temperature Lubrication
ICWB	Installable Face Contact Brake
LT	Low Temperature Lubrication
KB	Nut and Bolt Kingpin
SL	Swivel Lock
SR	Sealed Swivel Raceway
TG	Thread Guards
WB	Field Installable Side Wheel Brake on 4" & larger
WS	Wheel Seals
WWB	Wrap Around Brake Roller Bearing Only
FOSL	Foot Operated Swivel Lock

SPECIFICATIONS										
Wheel Diameter	Wheel Width	Wheel Type	lbs. Capacity	Overall Height	Swivel Caster Model Number			Swivel Lead	Approx Weight	
					Straight Roller Bearing	Ball Bearing	Plain, Oilite, Celcon Bearing			
3-1/4"	2"	Durastan Urethane on Iron	400	5-1/4"	46-DUR-3220-S	46-UJB-3220-S	46-DUC-3220-S	1-7/16"	6.7	
		Forged Steel	450		46-UJC-3220-S		5.0			
4"	1-1/2"	Forged Steel	1200	5-5/8"	46-FSR-0415-S	46-CIB-0420-S	46-FSC-0415-S	1-3/8"	7.0	
		Cast Iron	800		46-CIR-0420-S		6.5			
		Durastan	800		46-DUR-0420-S		5.2			
		GT	1050		46-GTB-0420-S		5.2			
		High Temp Nylon	800		46-HNR-0420-S		5.2			
		Performance TPR	350		46-RPR-0420-S		5.3			
	2"	2"	Polyolefin	500	5-5/8"	46-POR-0420-S	46-POB-0420-S	46-POP-0420-S	1-3/8"	4.8
			Rubber on Aluminum	525		46-RAR-0420-S		7.4		
			Rubber on Iron	350		46-RIR-0420-S		7.5		
			Solid Urethane	500		46-SUR-0420-S		5.2		
			Urethane on Aluminum	700		46-UAR-0420-S		5.0		
			Urethane on Iron	700		46-UJR-0420-S		6.6		
5"	2"	Urethane on Plastic	600	6-1/2"	46-UPR-0420-S	46-UPB-0420-S	46-UPC-0420-S	1-11/16"	5.3	
		V-Groove Iron	800		46-VIR-0420-S		7.6			
		Signature Wheel	400		46-SWR-0420-S		5.5			
		Pinnacle Wheel	800		46-PNR-0420-S		5.2			
		Cast Iron	1000		46-CIR-0520-S		7.8			
		Durastan	1000		46-DUR-0520-S		5.4			
	2"	2"	GT	1200	6-1/2"	46-GTB-0520-S	46-GBT-0520-S	46-DUC-0520-S	1-11/16"	5.4
			Forged Steel	1200		46-FSR-0520-S		8.1		
			High Temp Nylon	1000		46-HNR-0520-S		5.4		
			Performance TPR	375		46-RPR-0520-S		5.3		
			Polyolefin	650		46-POR-0520-S		4.6		
			Rubber on Aluminum	600		46-RAR-0520-S		7.5		
6"	2"	Rubber on Iron	400	7-1/2"	46-RIR-0520-S	46-SUB-0520-S	46-RIC-0520-S	1-3/4"	7.6	
		Solid Urethane	900		46-SUR-0520-S		5.4			
		Urethane on Aluminum	1050		46-UAR-0520-S		5.5			
		Urethane on Iron	1050		46-UJR-0520-S		7.7			
		Urethane on Plastic	750		46-UPR-0520-S		5.3			
		V-Groove Iron	800		46-VIR-0520-S		9.9			
	2"	2"	Signature Wheel	500	7-1/2"	46-SWR-0520-S	46-SWB-0520-S	46-UPC-0520-S	1-3/4"	5.7
			Pinnacle Wheel	1000		46-PNR-0520-S		5.6		
			Cast Iron	1200		46-CIR-0620-S		9.1		
			Durastan	1200		46-DUR-0620-S		6.3		
			GT	1200		46-GTB-0620-S		6.3		
			Omega	1200		46-FSC-0620-S		10.0		
8"	2"	High Temp Nylon	1200	9-1/2"	46-HNR-0620-S	46-UOB-0620-S	46-FSC-0620-S	2-1/4"	6.3	
		Omega	1000		46-UOR-0620-S		8.8			
		Performance TPR	525		46-RPR-0620-S		5.7			
		Polyolefin	700		46-POR-0620-S		5.0			
		Rubber on Aluminum	615		46-RAR-0620-S		7.8			
		Rubber on Iron	410		46-RIR-0620-S		7.8			
	2"	2"	Solid Urethane	900	9-1/2"	46-SUR-0620-S	46-SUB-0620-S	46-RIC-0620-S	2-1/4"	6.3
			Urethane on Aluminum	1200		46-UAR-0620-S		6.1		
			Urethane on Iron	1200		46-UJR-0620-S		8.8		
			Urethane on Plastic	900		46-UPR-0620-S		5.7		
			V-Groove Iron	1000		46-VIR-0620-S		10.9		
			Signature Wheel	600		46-SWR-0620-S		6.4		
8"	2"	Pinnacle Wheel	1200	9-1/2"	46-PNR-0620-S	46-SWB-0620-S	46-UPC-0620-S	2-1/4"	6.2	
		Torus Wheel	1200		46-PNR-0620-S		6.1			
		Cast Iron	1200		46-CIR-0820-S		13.3			
		Durastan	1200		46-DUR-0820-S		7.7			
		GT	1200		46-GTB-0820-S		7.7			
		Omega	1200		46-UOB-0820-S		12.1			
	2"	2"	Performance TPR	600	9-1/2"	46-RPR-0820-S	46-RPB-0820-S	46-RPC-0820-S	2-1/4"	7.1
			Polyolefin	800		46-POR-0820-S		5.8		
			Rubber on Aluminum	750		46-RAR-0820-S		10.1		
			Rubber on Iron	500		46-RIR-0820-S		10.1		
			Solid Urethane	1050		46-SUR-0820-S		7.7		
			Urethane on Aluminum	1200		46-UAR-0820-S		7.3		
2"	2"	Urethane on Iron	1200	9-1/2"	46-UJR-0820-S	46-UJB-0820-S	46-UIC-0820-S	2-1/4"	12.1	
		Urethane on Plastic	1000		46-UPR-0820-S		7.7			
		V-Groove Iron	1050		46-VIR-0820-S		15.3			
		Signature Wheel	700		46-SWR-0820-S		7.1			
		Pinnacle Wheel	1200		46-PNR-0820-S		6.9			
		Torus Wheel	1200		46-PNR-0820-S		7.3			

To order a rigid caster, change the "S" to "R" in the model number. For example: "46-DUR-3220-R". To order a rig only, omit the blue letters. For example: "46-3220-S". Dimensions shown are nominal. If precise dimensions are required, consult your RWM representative. For approximate weight of our rigid casters, deduct 0.9 pounds per item.



Available NSF Products:
All casters except those with cast iron, soft rubber, rubber on iron, rubber on aluminum, Omega, forged steel, urethane on aluminum, urethane on iron or V-groove wheels. The following options are also not available: DSL, HT, LT, KB, SL, SR, WS, TG. Add "-N" to the end of the model number to specify an NSF approved caster. For example: 46-DUR-0620-S-N.

OPTIONAL MOUNTING PLATES			
Optional Top Plate Number	Mounting Plate	Bolt Hole Spacing	Bolt Size
41ST 41RT	4" x 5"	2-5/8" x 3-5/8" slotted to 3" x 4"	3/8"
42ST 42RT	4-1/2" x 6-1/2"	2-7/16" x 4-15/16" slotted to 3-3/8" x 5-1/4"	1/2"
43ST 43RT	5" x 5-1/2"	4-1/8" x 4-1/2"	3/8"

OPTIONAL OVERALL HEIGHTS	
Wheel Diameter	Overall Height
4"	5-1/8"
5"	6-3/8"
6"	7-1/4"
6"	7-3/8"
6"	7-3/4"
8"	9-1/4"
8"	9-3/4"

46 Series Casters
47 Series Casters

UP TO 1,200 POUND CAPACITY



47-RAB-0820-S

FEATURES	
Raceway Design	Patented Kingpinless™ single ball bearing precision machined raceway hardened to 53 Rockwell C. minimum. Swivel section features 2 1/8" diameter raceway with 1/4" ball bearings.
Swivel Section	All swivel sections are supplied with a lubrication fitting for field maintenance. Notched yokes are standard.
Leg Thickness	1/4" formed steel
Axle	1/2" bolt and locking nut drilled with lube fitting
Finish	Zinc plated to protect from corrosion
Mounting Plate Size	4" x 4-1/2" x 1/4"
Bolt Hole Spacing	2-5/8" x 3-5/8", slotted to 3" x 3"
Mounting Bolt Diameter	3/8"

SPECIFICATIONS											
Wheel Diameter	Wheel Width	Wheel Type	lbs. Capacity	Overall Height	Swivel Caster Model Number			Swivel Lead	lbs. Approx Weight		
					Straight Roller Bearing	Ball Bearing	Plain, Oilite, Celcon Bearing				
4"	1-1/2"	Forged Steel	1400	5-5/8"	47-FSR-0415-S		47-FSC-0415-S	1-11/32"	7.0		
		Cast Iron	800		47-CIR-0420-S	47-CIB-0420-S	47-CIC-0420-S		6.5		
		Durastan	800		47-DUR-0420-S		47-DUC-0420-S		5.2		
		GT	1050			47-GTB-0420-S			5.0		
		High Temp. Nylon	800		47-HNR-0420-S				5.2		
		Performance TPR	350		47-RPR-0420-S	47-RPB-0420-S	47-RPC-0420-S		5.3		
		Polyolefin	500		47-POR-0420-S	47-POB-0420-S	47-POC-0420-S		4.8		
		Rubber on Aluminum	525		47-RAR-0420-S				7.4		
		Rubber on Iron	350		47-RIR-0420-S		47-RIC-0420-S		7.5		
	2"	Solid Urethane	500	47-SUR-0420-S	47-SUB-0420-S	47-SUC-0420-S	5.2				
		Urethane on Aluminum	700	47-UAR-0420-S		47-UAC-0420-S	5.0				
		Urethane on Iron	700	47-UIR-0420-S		47-UIC-0420-S	6.6				
		Urethane Plastic	600	47-UPR-0420-S	47-UPB-0420-S	47-UPC-0420-S	5.3				
		V-Groove Iron	800	47-VIR-0420-S		47-VIC-0420-S	7.6				
		Signature Wheel	400	47-SWR-0420-S	47-SWB-0420-S		5.5				
		Pinnacle Wheel	800	47-PNR-0420-S			5.2				
		5"	2"	Cast Iron	1000	6-1/2"	47-CIR-0520-S	47-CIB-0520-S	47-CIC-0520-S	1-1/2"	7.8
				Durastan	1000		47-DUR-0520-S		47-DUC-0520-S		5.4
Forged Steel	1500			47-FSR-0520-S			47-FSC-0520-S	8.1			
GT	1200				47-GTB-0520-S			6.0			
High Temp. Nylon	1000			47-HNR-0520-S				5.4			
Performance TPR	375			47-RPR-0520-S	47-RPB-0520-S		47-RPC-0520-S	5.3			
Polyolefin	650			47-POR-0520-S	47-POB-0520-S		47-POC-0520-S	4.6			
Rubber on Aluminum	600			47-RAR-0520-S	47-RAB-0520-S			7.5			
Rubber on Iron	400			47-RIR-0520-S			47-RIC-0520-S	7.6			
2"	Solid Urethane		900	47-SUR-0520-S	47-SUB-0520-S	47-SUC-0520-S	5.4				
	Urethane on Aluminum		1050	47-UAR-0520-S		47-UAC-0520-S	5.5				
	Urethane on Iron		1050	47-UIR-0520-S		47-UIC-0520-S	7.7				
	Urethane Plastic		750	47-UPR-0520-S	47-UPB-0520-S	47-UPC-0520-S	5.3				
	V-Groove Iron		800	47-VIR-0520-S		47-VIC-0520-S	9.9				
	Signature Wheel		500	47-SWR-0520-S	47-SWB-0520-S		5.7				
	Pinnacle Wheel		1000	47-PNR-0520-S			5.6				
	6"		2"	Cast Iron	1200	7-1/2"	47-CIR-0620-S	47-CIB-0620-S	47-CIC-0620-S	1-3/4"	9.1
				Durastan	1200		47-DUR-0620-S	47-DUB-0620-S	47-DUC-0620-S		6.3
Forged Steel		1500		47-FSR-0620-S			47-FSC-0620-S	10.0			
GT		1500			47-GTB-0620-S			8.0			
High Temp Nylon		1200		47-HNR-0620-S				6.3			
Omega		1000		47-UOR-0620-S	47-UOB-0620-S			8.8			
Performance TPR		525		47-RPR-0620-S	47-RPB-0620-S		47-RPC-0620-S	5.7			
Polyolefin		700		47-POR-0620-S	47-POB-0620-S		47-POC-0620-S	5.0			
Rubber on Aluminum		615		47-RAR-0620-S	47-RAB-0620-S			7.8			
2"		Rubber on Iron	410	47-RIR-0620-S		47-RIC-0620-S	7.8				
		Solid Urethane	900	47-SUR-0620-S	47-SUB-0620-S	47-SUC-0620-S	6.3				
		Urethane on Aluminum	1230	47-UAR-0620-S		47-UAC-0620-S	6.3				
		Urethane on Iron	1230	47-UIR-0620-S	47-UIB-0620-S	47-UIC-0620-S	8.8				
		Urethane Plastic	900	47-UPR-0620-S	47-UPB-0620-S	47-UPC-0620-S	5.7				
		V-Groove Iron	1000	47-VIR-0620-S		47-VIC-0620-S	10.9				
		Signature Wheel	600	47-SWR-0620-S	47-SWB-0620-S		6.4				
		Pinnacle Wheel	1200	47-PNR-0620-S			6.2				
		8"	2"	Cast Iron	1400	9-1/2"	47-CIR-0820-S	47-CIB-0820-S	47-CIC-0820-S	2-1/8"	13.3
Durastan	1400			47-DUR-0820-S	47-DUB-0820-S		47-DUC-0820-S	7.7			
GT	1500				47-GTB-0820-S			12.2			
Omega	1200			47-UOR-0820-S	47-UOB-0820-S			12.2			
Performance TPR	600			47-RPR-0820-S	47-RPB-0820-S		47-RPC-0820-S	7.7			
Polyolefin	800			47-POR-0820-S	47-POB-0820-S		47-POC-0820-S	5.8			
Rubber on Aluminum	750			47-RAR-0820-S	47-RAB-0820-S			10.1			
Rubber on Iron	500			47-RIR-0820-S			47-RIC-0820-S	10.2			
2"	Solid Urethane			1050	47-SUR-0820-S		47-SUB-0820-S	47-SUC-0820-S	12.0		
	Urethane on Aluminum		1500	47-UAR-0820-S		47-UAC-0820-S	7.3				
	Urethane on Iron		1500	47-UIR-0820-S	47-UIB-0820-S	47-UIC-0820-S	12.1				
	Urethane Plastic		1000	47-UPR-0820-S	47-UPB-0820-S	47-UPC-0820-S	7.7				
	V-Groove Iron		1050	47-VIR-0820-S		47-VIC-0820-S	15.3				
	Signature Wheel		700	47-SWR-0820-S	47-SWB-0820-S		7.1				
	Pinnacle Wheel		1400	47-PNR-0820-S			6.9				

OPTIONS	
DSL	Demountable Swivel Lock
HT	High Temperature Lubrication
ICWB	Installable Face Contact Brake
LT	Low Temperature Lubrication
SL	Swivel Lock
TG	Thread Guards
WB	Side Wheel Brake with Roller Bearing only
WS	Wheel Seals
WWB	Wraparound Wheel Brake
FOSL	Foot Operated Swivel Lock

To order a rigid caster, change the "S" to "R" in the model number. For example, "47-UPB-0520-R".

To order a rig only, omit the blue letters. For example: "47-0520-S".

For approximate weight of rigid caster deduct .7 pounds. Dimensions shown are nominal. If precise dimensions are required, please consult your RWM representative.

47 Series Casters

UP TO 1,500 POUND CAPACITY

OPTIONAL MOUNTING PLATES			
Optional Top Plate Number	Mounting Plate	Bolt Hole Spacing	Bolt Size
41ST 41RT	4" x 5"	2-5/8" x 3-5/8" slotted to 3" x 4"	3/8"
42ST 42RT	4-1/2" x 6-1/2"	2-7/16" x 4-15/16" slotted to 3-3/8" x 5-1/4"	1/2"
43ST 43RT	5" x 5-1/2"	4-1/8" x 4-1/2"	3/8"

OPTIONAL OVERALL HEIGHTS	
Wheel Diameter	Overall Height
4"	5-9/16"
5"	6-11/16"
6"	7"
8"	10-1/8"



48-GTB-0820-S

RWM's exclusive swivel section is sealed for life, making it completely maintenance free. It is capable of all radial and thrust loads and offers ultra quiet operation.

FEATURES	
Swivel Section	Sealed precision swivel bearing
Axle	1/2" diameter
Finish	Zinc plated to protect from corrosion
Mounting Plate Size	4" x 4-1/2" x 1/4"
Bolt Hole Spacing	2-5/8" x 3-5/8", slotted to 3" x 3"
Mounting Bolt Diameter	3/8"

SPECIFICATIONS										
Wheel Diameter	Wheel Width	Wheel Type	lbs. Capacity	Overall Height	Swivel Caster Model Number			Swivel Lead	lbs. Approx Weight	
					Straight Roller Bearing	Ball Bearing	Plain, Oilite, Celcon Bearing			
4"	2"	Cast Iron	800	5-5/8"	48-CIR-0420-S	48-CIB-0420-S	48-CIC-0420-S	1-3/16"	10.0	
		Durastan	800		48-DUR-0420-S		48-DUC-0420-S		8.0	
		High Temp. Nylon	800		48-HNR-0420-S				8.0	
		GT	1050			48-GTB-0420-S				7.0
		Performance TPR	350		48-RPR-0420-S	48-RPB-0420-S	48-RPC-0420-S		8.0	
		Polyolefin	500		48-POR-0420-S	48-POB-0420-S	48-POC-0420-S		7.6	
		Rubber On Aluminum	525		48-RAR-0420-S				8.0	
		Rubber On Iron	350		48-RIR-0420-S		48-RIC-0420-S		8.0	
		Solid Urethane	500		48-SUR-0420-S	48-SUB-0420-S	48-SUC-0420-S		8.0	
		Urethane On Aluminum	700		48-UAR-0420-S		48-UAC-0420-S		7.5	
		Urethane On Iron	700		48-UIR-0420-S		48-UIC-0420-S		8.0	
		Urethane On Polypropylene	600		48-UPR-0420-S	48-UPB-0420-S	48-UPC-0420-S		7.3	
		V-Groove Iron	800		48-VIR-0420-S		48-VIC-0420-S		10.0	
		Signature Wheel	400		48-SWR-0420-S	48-SWB-0820-S			5.9	
		Pinnacle Wheel	800		48-PNR-0420-S				5.7	
		5"	2"		Cast Iron	1000	6-1/2"		48-CIR-0520-S	48-CIB-0520-S
Durastan	1000			48-DUR-0520-S		48-DUC-0520-S		9.0		
Forged Steel	1500			48-FSR-0520-S		48-FSC-0520-S		12.0		
High Temp. Nylon	1000			48-HNR-0520-S				9.0		
GT	1200				48-GTB-0520-S				8.0	
Performance TPR	375			48-RPR-0520-S	48-RPB-0520-S	48-RPC-0520-S		9.0		
Polyolefin	650			48-POR-0520-S	48-POB-0520-S	48-POC-0520-S		8.7		
Rubber On Aluminum	600			48-RAR-0520-S	48-RAB-0520-S			8.6		
Rubber On Iron	400			48-RIR-0520-S		48-RIC-0520-S		9.0		
Solid Urethane	900			48-SUR-0520-S	48-SUB-0520-S	48-SUC-0520-S		8.1		
Urethane On Aluminum	1050			48-UAR-0520-S		48-UAC-0520-S		8.5		
Urethane On Iron	1050			48-UIR-0520-S		48-UIC-0520-S		9.0		
Urethane On Polypropylene	750			48-UPR-0520-S	48-UPB-0520-S	48-UPC-0520-S		7.3		
V-Groove Iron	800			48-VIR-0520-S		48-VIC-0520-S		12.0		
Signature Wheel	500			48-SWR-0520-S	48-SWB-0520-S			6.1		
Pinnacle Wheel	1000			48-PNR-0520-S				5.9		
6"	2"	Cast Iron	1200	7-1/2"	48-CIR-0620-S	48-CIB-0620-S	48-CIC-0620-S	1-9/16"	13.0	
		Durastan	1200		48-DUR-0620-S	48-DUB-0620-S			10.0	
		Forged Steel	1500		48-FSR-0620-S		48-FSC-0620-S		13.0	
		High Temp. Nylon	1200		48-HNR-0620-S				10.0	
		GT	1500			48-GTB-0620-S				10.0
		Omega	1000		48-UOR-0620-S	48-UOB-0620-S			12.0	
		Performance TPR	525		48-RPR-0620-S	48-RPB-0620-S	48-RPC-0620-S		10.0	
		Polyolefin	700		48-POR-0620-S	48-POB-0620-S	48-POC-0620-S		8.7	
		Rubber On Aluminum	615		48-RAR-0620-S	48-RAB-0620-S			10.0	
		Rubber On Iron	410		48-RIR-0620-S		48-RIC-0620-S		10.0	
		Solid Urethane	900		48-SUR-0620-S	48-SUB-0620-S	48-SUC-0620-S		8.8	
		Urethane On Aluminum	1230		48-UAR-0620-S		48-UAC-0620-S		11.0	
		Urethane On Iron	1230		48-UIR-0620-S	48-UIB-0620-S	48-UIC-0620-S		12.0	
		Urethane On Polypropylene	900		48-UPR-0620-S	48-UPB-0620-S	48-UPC-0620-S		7.7	
		V-Groove Iron	1000		48-VIR-0620-S		48-VIC-0620-S		13.0	
		Signature Wheel	600		48-SWR-0620-S	48-SWB-0620-S			6.8	
Pinnacle Wheel	1200	48-PNR-0620-S			6.5					
Torus Wheel	1230		48-UAB-0620-S		11.0					
8"	2"	Cast Iron	1400	9-1/2"	48-CIR-0820-S	48-CIB-0820-S	48-CIC-0820-S	2"	16.0	
		Durastan	1400		48-DUR-0820-S	48-DUB-0820-S	48-DUC-0820-S		11.0	
		GT	1500			48-GTB-0820-S				14.0
		Omega	1200		48-UOR-0820-S	48-UOB-0820-S			13.0	
		Performance TPR	600		48-RPR-0820-S	48-RPB-0820-S	48-RPC-0820-S		11.0	
		Polyolefin	800		48-POR-0820-S	48-POB-0820-S	48-POC-0820-S		9.1	
		Rubber On Aluminum	750		48-RAR-0820-S	48-RAB-0820-S			11.0	
		Rubber On Iron	500		48-RIR-0820-S		48-RIC-0820-S		11.0	
		Solid Urethane	1050		48-SUR-0820-S	48-SUB-0820-S	48-SUC-0820-S		9.5	
		Urethane On Aluminum	1500		48-UAR-0820-S		48-UAC-0820-S		12.0	
		Urethane On Iron	1500		48-UIR-0820-S	48-UIB-0820-S	48-UIC-0820-S		13.0	
		Urethane On Polypropylene	1000		48-UPR-0820-S	48-UPB-0820-S	48-UPC-0820-S		9.1	
		V-Groove Iron	1050		48-VIR-0820-S		48-VIC-0820-S		16.0	
		Signature Wheel	700		48-SWR-0820-S	48-SWB-0820-S			7.4	
		Pinnacle Wheel	1400		48-PNR-0820-S				7.0	
		Torus Wheel	1500			48-UAB-0821-S			12.2	

OPTIONS	
DSL	Demountable Swivel Lock*
ICWB	Installable Face Contact Brake
NY	Notched Yoke
SL	Swivel Lock
WB	Side Wheel Brake(roller bearing only)
WS	Wheel Seals
WWB	Wrap Around Wheel Brake Roller Bearing Only

*When ordering the Demountable Swivel Lock (DSL), you must also order the Notched Yoke (NY).

Available NSF Products:

All casters except those with cast iron, soft rubber, Omega, rubber on iron, rubber on aluminum, forged steel, urethane on aluminum, urethane on iron, V-groove wheels. The following options are also not available; DSL, NY, SL, WS. Add "-N" to the end of the model number to specify an NSF approved caster. For example: 48-DUR-0620-S-N.

To order a rigid caster, change the "S" to "R" in the model number. For example: "48-CIR-0620-R". To order a rig only, omit the blue letters. For example: "48-0620-S". Dimensions shown are nominal. If precise dimensions are required, consult your RWM representative. For approximate weight of our rigid casters, deduct 0.9 pounds per item.

OPTIONAL MOUNTING PLATES			
Optional Top Plate Number	Mounting Plate	Bolt Hole Spacing	Bolt Size
42ST 42RT	4-1/2" x 6-1/2"	2-7/16" x 4-15/16" slotted to 3-3/8" x 5-1/4"	1/2"

Freedom® 48 Series Casters
52 Series Casters

UP TO 1,500 POUND CAPACITY



52-FSR-0620-S

FEATURES	
Swivel Section	Cold forged top plate, yoke and button are all heat treated to prevent brinelling, improve swivel action and increase service life. Load and thrust bearings are hardened and ground and rotate on hardened raceways. Top plate and legs are 1/4" steel, legs formed for increased strength and continuously welded to yoke. All swivel sections are equipped with a lubrication fitting for field maintenance. RWM lubricates all swivel sections prior to shipment.
Kingpin	3/4" diameter rivet hydraulically compressed to increase strength of swivel section as compared to staking
Axle	1/2" diameter drilled axle with lubrication fitting provided on 2" casters to improve ease of lubrication
Finish	Zinc plated to protect from corrosion
Mounting Plate Size	4-1/2" x 6-1/2" x 1/4"
Bolt Hole Spacing	2-7/16" x 4-15/16", slotted to 3-3/8" x 5-1/4"
Mounting Bolt Diameter	1/2"

SPECIFICATIONS

Wheel Diameter	Wheel Width	Wheel Type	lbs. Capacity	Overall Height	Swivel Caster Model Number			Swivel Lead	lbs. Approx Weight	
					Straight Roller Bearing	Ball Bearing	Plain, Oilite, Celcon Bearing			
4"	1-1/2"	Forged Steel	1400	5-3/4"	52-FSR-0415-S		52-FSC-0415-S	1-13/32"	8.8	
		Cast Iron	800		52-CIR-0420-S	52-CIB-0420-S	52-CIC-0420-S		8.3	
		Durastan	800		52-DUR-0420-S		52-DUC-0420-S		6.4	
		GT	1050			52-GTB-0420-S			6.4	
		High Temp. Nylon	800		52-HNR-0420-S				5.8	
		Performance TPR	350		52-RPR-0420-R	52-RPB-0420-R	52-RPC-0420-S		6.5	
	4"	2"	Polyolefin	500	5-3/4"	52-POR-0420-S	52-POB-0420-S	52-POC-0420-S	1-3/8"	6.0
			Rubber on Aluminum	525		52-RAR-0420-S				6.5
			Rubber on Iron	350		52-RIR-0420-S		52-RIC-0420-S		8.1
			Solid Urethane	500		52-SUR-0420-S	52-SUB-0420-S	52-SUC-0420-S		6.4
			Urethane on Aluminum	700		52-UAR-0420-S		52-UAC-0420-S		6.6
			Urethane on Iron	700		52-UIR-0420-S		52-UIC-0420-S		8.2
5"	2"	Urethane Plastic	600	7-1/4"	52-UPR-0420-S	52-UPB-0420-S	52-UPC-0420-S	1-13/16"	6.5	
		V-Groove Iron	800		52-VIR-0420-S	52-SWB-0420-S	52-VIC-0420-S		8.5	
		Signature Wheel	400		52-SWR-0420-S				6.2	
		Pinnacle wheel	800		52-PNR-0420-S				6.0	
		Cast Iron	1000		52-CIR-0520-S	52-CIB-0520-S	52-CIC-0520-S		9.6	
		Durastan	1000		52-DUR-0520-S	52-DUB-0520-S	52-DUC-0520-S		6.9	
	5"	2"	Forged Steel	1400	7-1/4"	52-FSR-0520-S		52-FSC-0520-S	1-13/16"	10.8
			GT	1200			52-GTB-0520-S			6.9
			High Temp. Nylon	1000		52-HNR-0520-S				6.9
			Performance TPR	375		52-RPR-0520-S	52-RPB-0520-R	52-RPC-0520-S		7.0
			Polyolefin	650		52-POR-0520-S	52-POB-0520-S	52-POC-0520-S		6.1
			Rubber on Aluminum	600		52-RAR-0520-S	52-RAB-0520-S			7.2
6"	2"	Rubber on Iron	400	7-3/4"	52-RIR-0520-S		52-RIC-0520-S	1-13/16"	9.1	
		Solid Urethane	900		52-SUR-0520-S	52-SUB-0520-S	52-SUC-0520-S		6.9	
		Urethane on Aluminum	1050		52-UAR-0520-S		52-UAC-0520-S		7.0	
		Urethane on Iron	1050		52-UIR-0520-S		52-UIC-0520-S		9.2	
		Urethane Plastic	750		52-UPR-0520-S	52-UPB-0520-S	52-UPC-0520-S		7.0	
		V-Groove Iron	800		52-VIR-0520-S	52-SWB-0520-S	52-VIC-0520-S		9.9	
	6"	2"	Signature Wheel	500	7-3/4"	52-SWR-0520-S			1-13/16"	6.5
			Pinnacle wheel	1000		52-PNR-0520-S				6.3
			Cast Iron	1200		52-CIR-0620-S	52-CIB-0620-S	52-CIC-0620-S		11.2
			Durastan	1200		52-DUR-0620-S	52-DUB-0620-S	52-DUC-0620-S		8.0
			Forged Steel	1400		52-FSR-0620-S		52-FSC-0620-S		12.5
			GT	1400			52-GTB-0620-S			8.0
6"	2-1/2"	High Temp. Nylon	1200	7-3/4"	52-HNR-0620-S			1-13/16"	8.0	
		Omega	1000		52-UOR-0620-S	52-UOB-0620-S			10.5	
		Performance TPR	525		52-RPR-0620-S	52-RPB-0620-R	52-RPC-0620-S		7.0	
		Polyolefin	700		52-POR-0620-S	52-POB-0620-S	52-POC-0620-S		8.0	
		Rubber on Aluminum	615		52-RAR-0620-S	52-RAB-0620-S			9.5	
		Rubber on Iron	410		52-RIR-0620-S		52-RIC-0620-S		9.5	
	6"	2-1/2"	Solid Urethane	900	7-3/4"	52-SUR-0620-S	52-SUB-0620-S	52-SUC-0620-S	1-13/16"	8.0
			Urethane on Aluminum	1230		52-UAR-0620-S		52-UAC-0620-S		7.8
			Urethane on Iron	1230		52-UIR-0620-S		52-UIC-0620-S		10.5
			Urethane Plastic	900		52-UPR-0620-S	52-UPB-0620-S	52-UPC-0620-S		7.0
			V-Groove Iron	1000		52-VIR-0620-S	52-SWB-0620-S	52-VIC-0620-S		11.2
			Signature Wheel	600		52-SWR-0620-S				7.2
8"	2"	Pinnacle wheel	1200	9-3/4"	52-PNR-0620-S			2-1/4"	6.9	
		Cast Iron	1400		52-CIR-0820-S	52-CIB-0820-S	52-CIC-0820-S		15.3	
		Durastan	1200		52-DUR-0820-S	52-DUB-0820-S	52-DUC-0820-S		9.7	
		GT	1400			52-GTB-0820-S			9.7	
		Omega	1200		52-UOR-0820-S	52-UOB-0820-S			14.1	
		Performance TPR	600		52-RPR-0820-S	52-RPB-0820-R	52-RPC-0820-S		9.0	
	8"	2"	Polyolefin	800	9-3/4"	52-POR-0820-S	52-POB-0820-S	52-POC-0820-S	2-1/4"	7.7
			Rubber on Aluminum	750		52-RAR-0820-S	52-RAB-0820-S			12.2
			Rubber on Iron	500		52-RIR-0820-S		52-RIC-0820-S		12.2
			Urethane on Aluminum	1400		52-UAR-0820-S		52-UAC-0820-S		9.3
			Urethane on Iron	1400		52-UIR-0820-S		52-UIC-0820-S		14.1
			Urethane Plastic	1000		52-UPR-0820-S	52-UPB-0820-S	52-UPC-0820-S		9.0
8"	2-1/2"	V-Groove Iron	1050	9-3/4"	52-VIR-0820-S	52-SWB-0820-S	52-VIC-0820-S	2-1/4"	15	
		Signature Wheel	700		52-SWR-0820-S				8.0	
		Pinnacle wheel	1400		52-PNR-0820-S				7.8	
		Cast Iron	1400		52-CIR-0825-S				19.7	
		Durastan	1400		52-DUR-0825-S				13.1	
		Forged Steel	1400		52-FSR-0825-S				29.6	
8"	2-1/2"	Rubber on Iron	670	9-3/4"	52-RIR-0825-S			2-1/4"	17.8	
		Urethane on Iron	1400		52-UIR-0825-S				18.8	
		V-Groove Iron	1400		52-VIR-0825-S				20.0	
		Rubber on Iron-EHT	1005		52-RIR-0825-S-EHT				17.8	

OPTIONAL MOUNTING PLATES			
Optional Top Plate Number	Mounting Plate	Bolt Hole Spacing	Bolt Size
43ST 43RT	5" x 5-1/2"	4-1/8" x 4-1/2"	3/8"

OPTIONAL OVERALL HEIGHTS	
Wheel Diameter	Overall Height
4"	5-1/8"
5"	6-1/2"
6"	7-1/2"
8"	9-1/2"
8"	10-1/8"

OPTIONS

HT	High Temperature Lubrication
ICWB	Installable Face Contact Brake (2" wide only)
LT	Low Temperature Lubrication
KB	Nut and Bolt Kingpin
SL	Swivel Lock
SR	Sealed Swivel Raceway
TG	Thread Guards
WB	Side Wheel Brake (roller bearing only)
WS	Wheel Seals
WWB	Wrap Around Wheel Brake

To order a rigid caster, change the "S" to "R" in the model number. For example, 52-FSR-0620-R. To order a rig only, omit the blue letters. For example: 52-0620-S. Note: (1.) For weight of Caster with brake add .24 pounds. (2.) For weight of Rigid Caster deduct .7 pounds. Dimensions shown are nominal. If precise dimensions are required, please consult your RWM Representative.

Freedom® 48 Series Casters

UP TO 1,400 POUND CAPACITY

Casters
53 Series Casters

UP TO 1,400 POUND CAPACITY



53-RIR-0625-S

FEATURES	
Swivel Section	Cold forged top plate, yoke and button are all heat treated to prevent brinelling, improve swivel action and increase service life. Both load and thrust bearings are hardened and ground and raceway bearings rotate on hardened raceways. Top plate and legs are 1/4" steel. Legs are formed for increased strength and continuously welded to yoke. All swivel sections are equipped with a lubrication fitting for field maintenance. RWM lubricates all swivel sections prior to shipment.
Kingpin	3/4" bolt and lock nut for increased swivel section strength
Axle	3/4" diameter axle
Finish	Zinc plated to protect against corrosion
Wheels	Wheels are available with either 1" I.D. diameter straight roller bearings which rotate on a 1" O.D. hardened and ground spanner bushing, or 3/4" I.D. tapered bearing on a 3/4" axle. The tapered bearing configuration is highly recommended for high speed and side thrust applications.
Mounting Plate Size	4 -1/2" x 6-1/2" x 1/4"
Bolt Hole Spacing	2-7/16" x 4-15/16", slotted to 3-3/8" x 5-1/4"
Mounting Bolt Diameter	1/2"

SPECIFICATIONS									
Wheel Diameter	Wheel Width	Wheel Type	lbs. Capacity	Overall Height	Swivel Caster Model Number			Swivel Lead	lbs. Approx Weight
					Straight Roller Bearing	Ball Bearing	Tapered Roller Bearing		
5"	2-1/2"	Cast Iron	1800	7-1/8"	53-CIR-0525-S		53-CIT-0525-S	1-55/64"	13.7
		Durastan	1600		53-DUR-0625-S		53-CIT-0625-S		15.1
6"	2-1/2"	Forged Steel	1800	7-5/8"	53-FSR-0625-S		53-FST-0625-S	1-7/8"	10.8
		GT	1800			53-GTB-0625-S			19.5
		Rubber on Iron	540		53-RIR-0625-S		53-RIT-0625-S		10.8
		Urethane on Iron	1620		53-UIR-0625-S		53-UIT-0625-S		13.8
		V-Groove Iron	1500		53-VIR-0625-S		53-VIT-0625-S		17.0
			1800						17.2
8"	2-1/2"	Cast Iron	1800	10-1/4"	53-CIR-0825-S		53-CIT-0825-S	2-5/8"	19.7
		Durastan	1800		53-DUR-0825-S		53-CIT-0825-S		13.1
		Forged Steel	1800		53-FSR-0825-S		53-FST-0825-S		29.6
		GT	1800			53-GTB-0825-S			13.1
		Rubber on Iron	670		53-RIR-0825-S		53-RIT-0825-S		17.8
		Urethane on Iron	1800		53-UIR-0825-S		53-UIT-0825-S		16.8
10"	2-1/2"	V-Groove Iron	1800		53-VIR-0825-S		53-VIT-0825-S	20.0	
		Cast Iron	1800	53-CIR-1025-S		53-CIT-1025-S	3"	23.7	
		Durastan	1800	53-DUR-1025-S				15.1	
		Rubber on Iron	790	53-RIR-1025-S		53-RIT-1025-S		19.0	
Urethane on Iron	1800	53-UIR-1025-S		53-UIT-1025-S	24.2				

OPTIONS	
CWB	Cam Wheel Brake
HT	High Temperature Lubrication
LT	Low Temperature Lubrication
SL	Swivel Lock
SR	Sealed Swivel Raceway
WS	Wheel Seals

OPTIONAL MOUNTING PLATES			
Optional Top Plate Number	Mounting Plate	Bolt Hole Spacing	Bolt Size
43ST 43RT	5" x 5-1/2"	4-1/8" x 4-1/2"	3/8"

OPTIONAL OVERALL HEIGHTS	
Wheel Diameter	Overall Height
5"	6-1/2"
6"	7-1/2"
8"	10-1/8"
10"	11-1/2"

To order a rigid caster, change the "S" to "R" in the model number. For example : "53-CIR-0825-R".
 To order a rig only, omit the blue letters. For example: "53-0825-S". Dimensions shown are nominal.
 If precise dimensions are required, consult your RWM representative. For approximate weight of our rigid casters, deduct 1.8 pounds.

53 Series Casters
E52 Series Casters

UP TO 1,800 POUND CAPACITY

Casters
54 Series Casters

UP TO 1,800 POUND CAPACITY



54-RIR-0625-S

FEATURES	
Swivel Section	Cold forged top plate, yoke and button are all heat treated to prevent brinelling, improve swivel action and increase service life. Both load and thrust bearings are hardened and raceway bearings rotate on hardened raceways. Top plate is forged from 3/8" thick steel plate. All swivel sections are equipped with a lubrication fitting for field maintenance. RWM lubricates all swivel sections prior to shipment.
Kingpin	1" bolt and lock nut for increased swivel section strength.
Leg Thickness	5/16" formed steel welded inside and outside for additional strength
Axle	3/4" bolt with lock or slotted nut as required
Finish	Zinc plated to protect from corrosion
Wheels	Wheels are available with either 1" I.D. diameter straight roller bearings which rotate on a 1" O.D. hardened and ground spanner bushing or a 3/4" I.D. tapered bearing which rotates on a 3/4" axle. The tapered bearing configuration is highly recommended for high speed and side thrust applications. All wheels are supplied with a lubrication fitting for field maintenance.
Mounting Plate Size	5-1/4" x 7-1/4" x 3/8"
Bolt Hole Spacing	3-3/8" x 5-1/4", slotted to 4-1/8" x 6-1/8"
Mounting Bolt Diameter	1/2"

SPECIFICATIONS									
Wheel Diameter	Wheel Width	Wheel Type	lbs. Capacity	Overall Height	Swivel Caster Model Number			Swivel Lead	lbs. Approx Weight
					Straight Roller Bearing	Ball Bearing	Tapered Roller Bearing		
4-1/2"	2-1/2"	Cast Iron	1500	6-1/2"	54-CIR-4525-S		54-CIT-4525-S	1-9/16"	18.1
6"	2-1/2"	Cast Iron	1800	7-3/4"	54-CIR-0625-S		54-CIT-0625-S	1-15/16"	19.3
		Durastan	1600		54-DUR-0625-S				15.0
		Forged Steel	3000		54-FSR-0625-S		54-FST-0625-S		23.0
		GT	2300			54-GTB-0625-S			15.0
		Rubber on Iron	540		54-RIR-0625-S				18.0
		Urethane on Iron	1620		54-UIR-0625-S		54-UIT-0625-S		21.2
V-Groove Iron	2500	54-VIR-0625-S		54-VIT-0625-S	21.4				
6"	3"	Cast Iron	3000	7-3/4"	54-CIR-0630-S		54-CIT-0630-S	1-15/16"	20.1
		Durastan	2000		54-DUR-0630-S				16.0
		Rubber on Iron-EHT	1020		54-RIR-0630-S-EHT		54-RIT-0630-S-EHT		17.0
		Solid Urethane	1650		54-SUR-0630-S	54-SUB-0630-S			16.0
		Urethane on Iron	2000		54-UIR-0630-S		54-UIT-0630-S		22.0
		V-Groove Forged	3000		54-VFR-0630-S		54-VFT-0630-S		24.4
		Rubber on Iron	680		54-RIR-0630-S				17
8"	2-1/2"	Cast Iron	2000	9-3/4"	54-CIR-0825-S		54-CIT-0825-S	2-7/16"	23.8
		Durastan	2000		54-DUR-0825-S				17.2
		Forged Steel	3000		54-FSR-0825-S		54-FST-0825-S		26.7
		GT	2400			54-GTB-0825-S			17.2
		Rubber on Iron	670		54-RIR-0825-S				21.9
		Urethane on Iron	1800		54-UIR-0825-S		54-UIT-0825-S		20.9
V-Groove Iron	3000	54-VIR-0825-S		54-VIT-0825-S	26.5				
8"	3"	Cast Iron	2500	9-3/4"	54-CIR-0830-S		54-CIT-0830-S	2-7/16"	23.0
		Durastan	2500		54-DUR-0830-S				19.0
		Forged Steel	3000		54-FSR-0830-S		54-FST-0830-S		29.3
		Omega	1600		54-UOR-0830-S		54-UOT-0830-S		4.5
		Rubber on Iron-EHT	1260		54-RIR-0830-S-EHT		54-RIT-0830-S-EHT		23.7
		Solid Urethane	1650		54-SUR-0830-S	54-SUB-0830-S			19.0
		Urethane on Iron	2500		54-UIR-0830-S		54-UIT-0830-S		27.7
		V-Groove Forged	3000		54-VFR-0830-S		54-VFT-0830-S		28.0
		V-Groove Iron	3000		54-VIR-0830-S		54-VIT-0830-S		26.5
		Rubber on Iron	840		54-RIR-0830-S				23.7
10"	2-1/2"	Cast Iron	2500	11-1/2"	54-CIR-1025-S		54-CIT-1025-S	2-3/4"	27.7
		Durastan	2500		54-DUR-1025-S				19.1
		Rubber on Iron	790		54-RIR-1025-S		54-RIT-1025-S		22.8
		Urethane on Iron	2370		54-UIR-1025-S		54-UIT-1025-S		28.2
10"	3"	Cast Iron	3000	11-1/2"	54-CIR-1030-S		54-CIT-1030-S	2-3/4"	29.9
		Durastan	2900		54-DUR-1030-S				21.2
		Forged Steel	3000		54-FSR-1030-S		54-FST-1030-S		42.3
		GT	3000			54-GTB-1030-S			21.2
		Omega	2000		54-UOR-1030-S		54-UOT-1030-S		10.4
		Rubber on Iron-EHT	1500		54-RIR-1030-S-EHT		54-RIT-1030-S-EHT		25.9
		Solid Urethane	2000		54-SUR-1030-S	54-SUB-1030-S			21.0
		Urethane on Iron	3000		54-UIR-1030-S		54-UIT-1030-S		31.7
		Ultra Thick Poly	3000		54-UTR-1030-S		54-UTT-1030-S		32.0
		V-Groove Iron	3000		54-VIR-1030-S		54-VIT-1030-S		42.3
		Rubber on Iron	1000		54-RIR-1030-S		54-RIT-1030-S		25.9

OPTIONS	
CWB	Cam Wheel Brake
DSL	Demountable Swivel Lock
HT	High Temperature Lubrication
LT	Low Temperature Lubrication
SL	Swivel Lock
SR	Sealed Swivel Raceway

To order a rigid caster, change the "S" to "R" in the model number. For example: "54-CIR-0630-R". To order a rig only, omit the blue letters. For example: "54-0630-S". Dimensions shown are nominal. If precise dimensions are required, consult your RWM representative. For approximate weight of our rigid casters, deduct 3 pounds.

54 Series Casters
E53 Series Casters

UP TO 3,000 POUND CAPACITY

65 Series Casters



Heavy Duty Kingpinless™ Casters

RWM's 65 Series caster features the patented Kingpinless™ design. The 65 Series is recommended for a wide range of industrial applications. Typical applications include dollies, utility carts, tow line and platform trucks.



65-SUB-0820-S

FEATURES	
Raceway Design	Patented Kingpinless™ single ball bearing precision machined raceway hardened to 53 Rockwell C. minimum. Swivel section features a 2-3/8" diameter raceway with 3/8" ball bearings.
Leg Thickness	1/4" formed steel
Axle	1/2" bolt and lock nut drilled with lube fitting
Finish	Zinc plated to protect against corrosion
Wheels	Wheels are available with a straight roller bearing which rotates on a hardened and ground spanner bushing, an annular ball bearing for ease of rollability or a celcon bearing
Mounting Plate Size	4" x 4-1/2" x 1/4"
Bolt Hole Spacing	2-5/8" x 3-5/8", slotted to 3" x 3"
Mounting Bolt Diameter	3/8"
Swivel Sections	All swivel sections are supplied with a lubrication fitting for field maintenance.

SPECIFICATIONS

Wheel Diameter	Wheel Width	Wheel Type	Capacity lbs.	Overall Height	Swivel Caster Model Number			Swivel Lead	Approx Weight lbs.
					Straight Roller Bearing	Ball Bearing	Plain, Oilite, Celcon Bearing		
4"	1-1/2"	Forged Steel	1400	5-5/8"	65-FSR-0415-S	65-CIB-0420-S	65-FSC-0415-S	1-3/16"	9.0
		Cast Iron	800		65-CIR-0420-S	65-CIC-0420-S	65-CIC-0420-S		10.0
		Durastan	800		65-DUR-0420-S	65-DUC-0420-S	65-DUC-0420-S		8.0
		GT	1050						8.0
		High Temp. Nylon	800		65-HNR-0420-S	65-HNB-0420-S			8.0
		Performance TPR	350		65-RPR-0420-S	65-RPB-0420-S	65-RPC-0420-S		7.3
		Pinnacle	800		65-PNR-0420-S				8.0
		Polyolefin	500		65-POR-0420-S	65-POB-0420-S	65-POC-0420-S		7.6
		Rubber on Aluminum	525		65-RAR-0420-S	65-RAB-0420-S	65-RAC-0420-S		8.0
		Rubber on Iron	350		65-RIR-0420-S	65-RIB-0420-S	65-RIC-0420-S		8.0
		Signature	400		65-SWR-0420-S	65-SWB-0420-S	65-SUC-0420-S		7.0
		Solid Urethane	500		65-SUR-0420-S	65-SUB-0420-S	65-SUC-0420-S		8.0
		Urethane on Aluminum	700		65-UAR-0420-S	65-UAB-0420-S	65-UAC-0420-S		7.5
		Urethane on Iron	700		65-UIR-0420-S	65-UIB-0420-S	65-UIC-0420-S		8.0
Urethane Polypropylene	600	65-UPR-0420-S	65-UPB-0420-S	65-UPC-0420-S	7.3				
V-Groove Iron	800	65-VIR-0420-S	65-VIB-0420-S	65-VIC-0420-S	10.0				
5"	2"	Cast Iron	1000	6-1/2"	65-CIR-0520-S	65-CIB-0520-S	65-CIC-0520-S	1-3/8"	12.0
		Durastan	1000		65-DUR-0520-S	65-DUB-0520-S	65-DUC-0520-S		9.0
		Forged Steel	1500		65-FSR-0520-S	65-FSC-0520-S	65-FSC-0520-S		12.0
		GT	1200						9.0
		High Temp. Nylon	1000		65-HNR-0520-S	65-HNB-0520-S			9.0
		Performance TPR	375		65-RPR-0520-S	65-RPB-0520-S	65-RPC-0520-S		7.3
		Pinnacle	1000		65-PNR-0520-S	65-POB-0520-S	65-POC-0520-S		9.0
		Polyolefin	650		65-POR-0520-S	65-POB-0520-S	65-POC-0520-S		8.7
		Rubber on Aluminum	600		65-RAR-0520-S	65-RAB-0520-S	65-RAC-0520-S		8.6
		Rubber on Iron	400		65-RIR-0520-S	65-RIB-0520-S	65-RIC-0520-S		9.0
		Signature	500		65-SWR-0520-S	65-SWB-0520-S	65-SUC-0520-S		7.6
		Solid Urethane	900		65-SUR-0520-S	65-SUB-0520-S	65-SUC-0520-S		9.0
		Urethane on Aluminum	1050		65-UAR-0520-S	65-UAB-0520-S	65-UAC-0520-S		8.5
		Urethane on Iron	1050		65-UIR-0520-S	65-UIB-0520-S	65-UIC-0520-S		9.0
Urethane Polypropylene	750	65-UPR-0520-S	65-UPB-0520-S	65-UPC-0520-S	7.3				
V-Groove Iron	800	65-VIR-0520-S	65-VIB-0520-S	65-VIC-0520-S	12.0				
6"	2"	Cast Iron	1200	7-1/2"	65-CIR-0620-S	65-CIB-0620-S	65-CIC-0620-S	1-9/16"	13.0
		Durastan	1200		65-DUR-0620-S	65-DUB-0620-S	65-DUC-0620-S		10.0
		Forged Steel	1800		65-FSR-0620-S	65-FSC-0620-S	65-FSC-0620-S		13.0
		GT	1500						10.0
		High Temp. Nylon	1200		65-HNR-0620-S	65-HNB-0620-S			10.0
		Omega	1000		65-UOR-0620-S	65-UOB-0620-S	65-UOC-0620-S		12.0
		Performance TPR	525		65-RPR-0620-S	65-RPB-0620-S	65-RPC-0620-S		7.7
		Pinnacle	1200		65-PNR-0620-S	65-POB-0620-S	65-POC-0620-S		10.0
		Polyolefin	700		65-POR-0620-S	65-POB-0620-S	65-POC-0620-S		8.7
		Rubber on Aluminum	615		65-RAR-0620-S	65-RAB-0620-S	65-RAC-0620-S		10.0
		Rubber on Iron	410		65-RIR-0620-S	65-RIB-0620-S	65-RIC-0620-S		10.0
		Signature	600		65-SWR-0620-S	65-SWB-0620-S	65-SUC-0620-S		9.0
		Solid Urethane	900		65-SUR-0620-S	65-SUB-0620-S	65-SUC-0620-S		10.0
		Urethane on Aluminum	1230		65-UAR-0620-S	65-UAB-0620-S	65-UAC-0620-S		11.0
Urethane on Iron	1230	65-UIR-0620-S	65-UIB-0620-S	65-UIC-0620-S	12.0				
Urethane Polypropylene	900	65-UPR-0620-S	65-UPB-0620-S	65-UPC-0620-S	7.7				
Torus	1230	65-VIR-0620-S	65-VIB-0621-S	65-VIC-0620-S	11.0				
V-Groove Iron	1000	65-VIR-0620-S	65-VIB-0620-S	65-VIC-0620-S	13.0				
8"	2"	Cast Iron	1400	10-1/8"	65-CIR-0820-S	65-CIB-0820-S	65-CIC-0820-S	2-1/4"	16.0
		Durastan	1400		65-DUR-0820-S	65-DUB-0820-S	65-DUC-0820-S		11.0
		GT	1800		65-GTB-0820-S	65-RPB-0820-S	65-RPC-0820-S		11.0
		Performance TPR	600		65-RPR-0820-S	65-RPB-0820-S	65-RPC-0820-S		9.1
		Pinnacle	1400		65-PNR-0820-S	65-POB-0820-S	65-POC-0820-S		11.0
		Omega	1200		65-UOR-0820-S	65-UOB-0820-S	65-UOC-0820-S		13.0
		Polyolefin	800		65-POR-0820-S	65-POB-0820-S	65-POC-0820-S		9.1
		Rubber on Aluminum	750		65-RAR-0820-S	65-RAB-0820-S	65-RAC-0820-S		11.0
		Rubber on Iron	500		65-RIR-0820-S	65-RIB-0820-S	65-RIC-0820-S		11.0
		Signature	700		65-SWR-0820-S	65-SWB-0820-S	65-SUC-0820-S		10.0
		Solid Urethane	1050		65-SUR-0820-S	65-SUB-0820-S	65-SUC-0820-S		11.0
		Urethane on Aluminum	1500		65-UAR-0820-S	65-UAB-0820-S	65-UAC-0820-S		12.0
		Urethane on Iron	1500		65-UIR-0820-S	65-UIB-0820-S	65-UIC-0820-S		13.0
		Urethane Polypropylene	1000		65-UPR-0820-S	65-UPB-0820-S	65-UPC-0820-S		9.1
Torus	1500	65-VIR-0820-S	65-VIB-0821-S	65-VIC-0820-S	12.0				
V-Groove Iron	1050	65-VIR-0820-S	65-VIB-0820-S	65-VIC-0820-S	16.0				

OPTIONS

DSL	Demountable Swivel Lock
HT	High Temperature Lubrication
ICWB	Installable Face Contact Brake
LT	Low Temperature Lubrication
SL	Swivel Lock
SR	Sealed Raceway
TG	Thread Guards
WB	Side Wheel Brake (roller bearing only)
WS	Wheel Seals
WWB	Wrap Around Wheel Brake Roller Bearing Only
FOSL	Foot Operated Swivel Lock

To order a rigid caster, change the "S" to "R" in the model number. For example: "65-CIR-0520-R". To order a rig only, omit the blue letters. For example: "65-0520-S". Dimensions shown are nominal. If precise dimensions are required, consult your RWM representative. For approximate weight of our rigid caster, deduct 1.5 pounds.



Available NSF Products:
All casters except those with the cast iron, soft rubber, Omega, rubber on iron, rubber on aluminum, forged steel, urethane on aluminum, urethane on iron, or V-groove wheels. The following options are not available: DSL, HT, LT, SL, SR, TG, WS. Add "-N" to the end of the model number to specify an NSF approved caster. For example: 65-DUR-0620-S-N.

65 Series Casters
70 Series Casters

UP TO 2,000 POUND CAPACITY



70-DUR-0825-S

FEATURES	
Raceway Design	2-3/4" diameter with 1/2" carbon steel balls. Load and thrust are accommodated by our patented Kingpinless™ design. Precision machined; hardened to 53 Rockwell C. minimum.
Leg Thickness	1/4" formed steel
Axle	1/2" bolt and nut. Lubrication - Zerk fitting in axle on 2" wide wheels, 3/4" axle on 2-1/2" and 3" wide wheels
Finish	Laguna Blue paint
Wheels	2" wide wheels are equipped with either 3/4" roller bearing which rotates on a 3/4" hardened and ground spanner, annular bearing, or a delrin/plain wheel bearing. 2-1/2" and 3" wide wheels are equipped with either a 1" I.D. straight roller bearing which rotates on a spanner bushing, 3/4" I.D. tapered bearings that rotate on the axle, or precision ball bearings.
Mounting Plate Size	4-1/2" x 6-1/2" x 5/16"
Bolt Hole Spacing	2-7/16" x 4-15/16", slotted to 3-3/8" x 5-1/4"
Mounting Bolt Diameter	1/2"

SPECIFICATIONS

Wheel Diameter	Wheel Width	Wheel Type	lbs. Capacity	Overall Height	Swivel Caster Model Number				Swivel Lead	Approx Weight lbs.				
					Straight Roller Bearing	Ball Bearing	Plain, Oilite, Celcon Bearing	Tapered Roller Bearing						
4"	1-1/2"	Forged Steel	1400	5-5/8"	70-FSR-0415-S		70-FSC-0415-S		1-3/16"	10.0				
		Cast Iron	800		70-CIR-0420-S	70-CIB-0420-S	70-CIC-0420-S			10.0				
		Durastan	800		70-DUR-0420-S		70-DUC-0420-S			8.0				
		GT	1050			70-GTB-0420-S				8.0				
		High Temp. Nylon	800		70-HNR-0420-S					8.0				
		Performance TPR	350		70-RPR-0420-S	70-RPB-0420-S	70-RPC-0420-S			8.3				
	4"	2"	Polyolefin	500	5-5/8"	70-POR-0420-S	70-POB-0420-S	70-POC-0420-S		1-3/16"	8.0			
			Rubber on Aluminum	525		70-RAR-0420-S					7.8			
			Rubber on Iron	350		70-RIR-0420-S		70-RIC-0420-S			8.0			
			Solid Urethane	500		70-SUR-0420-S	70-SUB-0420-S	70-SUC-0420-S			8.0			
			Urethane on Aluminum	700		70-UAR-0420-S		70-UAC-0420-S			7.5			
			Urethane on Iron	700		70-UIR-0420-S		70-UIC-0420-S			8.0			
5"	2"	Urethane Polypropylene V-Groove Iron	600	6-1/2"	70-UPR-0420-S	70-UPB-0420-S	70-UPC-0420-S		1-1/2"	8.3				
		Cast Iron	1000		70-CIR-0520-S	70-CIB-0520-S	70-CIC-0520-S			12.0				
		Durastan	1000		70-DUR-0520-S		70-DUC-0520-S			9.0				
		Forged Steel	1500		70-FSR-0520-S		70-FSC-0520-S			12.0				
		GT	1200			70-GTB-0520-S				9.0				
		High Temp. Nylon	1000		70-HNR-0520-S					9.0				
		Performance TPR	375		70-RPR-0520-S	70-RPB-0520-S	70-RPC-0520-S			8.3				
		Polyolefin	650		70-POR-0520-S	70-POB-0520-S	70-POC-0520-S			9.0				
		Rubber on Aluminum	600		70-RAR-0520-S	70-RAB-0520-S	70-RAC-0520-S			8.9				
		Rubber on Iron	400		70-RIR-0520-S		70-RIC-0520-S			9.0				
		Solid Urethane	900		70-SUR-0520-S	70-SUB-0520-S	70-SUC-0520-S			9.0				
		Urethane on Aluminum	1050		70-UAR-0520-S		70-UAC-0520-S			8.5				
Urethane on Iron	1050	70-UIR-0520-S		70-UIC-0520-S		9.0								
6"	2"	Urethane Polypropylene V-Groove Iron	750	7-1/2"	70-UJR-0520-S	70-UPB-0520-S	70-UJC-0520-S		1-3/8"	8.3				
		Cast Iron	1200		70-CIR-0620-S	70-CIB-0620-S	70-CIC-0620-S			13.0				
		Durastan	1200		70-DUR-0620-S	70-DUB-0620-S	70-DUC-0620-S			10.0				
		Forged Steel	1800		70-FSR-0620-S		70-FSC-0620-S			13.0				
		GT	1500			70-GTB-0620-S				10.0				
		High Temp. Nylon	1200		70-HNR-0620-S					10.0				
		Omega	1000		70-UOR-0620-S	70-UOB-0620-S				12.0				
		Performance TPR	525		70-RPR-0620-S	70-RPB-0620-S	70-RPC-0620-S			8.7				
		Polyolefin	700		70-POR-0620-S	70-POB-0620-S	70-POC-0620-S			10.0				
		Rubber on Aluminum	615		70-RAR-0620-S	70-RAB-0620-S				9.8				
		Rubber on Iron	410		70-RIR-0620-S		70-RIC-0620-S			10.0				
		Solid Urethane	900		70-SUR-0620-S	70-SUB-0620-S	70-SUC-0620-S			10.0				
Urethane on Aluminum	1230	70-UAR-0620-S		70-UAC-0620-S		11.0								
Urethane on Iron	1230	70-UIR-0620-S		70-UIC-0620-S		12.0								
6"	2-1/2"	Urethane Polypropylene V-Groove Iron	900	7-1/2"	70-UJR-0620-S	70-UPB-0620-S	70-UJC-0620-S		1-3/8"	8.7				
		Cast Iron	1800		70-CIR-0625-S			70-CIT-0625-S		18.0				
		Durastan	1600		70-DUR-0625-S			70-FST-0625-S		11.0				
		Forged Steel	4000		70-FSR-0625-S					18.0				
		GT	2300			70-GTB-0625-S				11.0				
		Rubber on Iron	540		70-RIR-0625-S					16.0				
		Urethane on Iron	1620		70-UIR-0625-S			70-UIT-0625-S		16.0				
		V-Groove Iron	2500		70-VIR-0625-S			70-VIT-0625-S		18.0				
		8"	2"		Cast Iron	1400	10-1/8"	70-CIR-0820-S		70-CIB-0820-S	70-CIC-0820-S		2-1/16"	16.0
					Durastan	1400		70-DUR-0820-S		70-DUB-0820-S	70-DUC-0820-S			11.0
					GT	1800				70-GTB-0820-S				11.5
					Omega	1200		70-UOR-0820-S		70-UOB-0820-S				13.0
Performance TPR	600			70-RPR-0820-S	70-RPB-0820-S	70-RPC-0820-S			9.1					
Polyolefin	800			70-POR-0820-S	70-POB-0820-S	70-POC-0820-S			11.0					
Rubber on Aluminum	750			70-RAR-0820-S	70-RAB-0820-S				11.0					
Rubber on Iron	500			70-RIR-0820-S		70-RIC-0820-S			11.0					
Solid Urethane	1050			70-SUR-0820-S	70-SUB-0820-S	70-SUC-0820-S			11.3					
Urethane on Aluminum	1500			70-UAR-0820-S		70-UAC-0820-S			13.0					
Urethane on Iron	1500			70-UIR-0820-S		70-UIC-0820-S			13.0					
Urethane Polypropylene V-Groove Iron	1000			70-UJR-0820-S	70-UPB-0820-S	70-UJC-0820-S			10.1					
8"	2-1/2"	Urethane Polypropylene V-Groove Iron	1050	10-1/8"	70-VIR-0820-S		70-VIC-0820-S		2-1/16"	16.0				
		Cast Iron	1800		70-CIR-0825-S			70-CIT-0825-S		20.0				
		Durastan	1800		70-DUR-0825-S			70-FST-0825-S		14.0				
		Forged Steel	4000		70-FSR-0825-S					20.0				
		GT	2400			70-GTB-0825-S				14.0				
		Rubber on Iron	670		70-RIR-0825-S			70-RIT-0825-S		17.0				
		Urethane on Iron	1800		70-UIR-0825-S			70-UIT-0825-S		18.0				
		V-Groove Iron	3000		70-VIR-0825-S			70-VIT-0825-S		20.0				
		10"	2-1/2"		Cast Iron	1800	11-1/2"	70-CIR-1025-S					2-5/16"	26.0
					Durastan	1800		70-DUR-1025-S						16.0
					Rubber on Iron	790		70-RIR-1025-S						21.0
					Urethane on Iron	2370		70-UIR-1025-S						21.0

OPTIONS

CWB	Cam Wheel Brake (2" & 2-1/2" wide)
HT	High Temperature Lubrication
LT	Low Temperature Lubrication
NY	Notched Yoke Base
SL	Swivel Lock
SR	Sealed Swivel Raceway
TG	Thread Guards (2" wide only)
WB	Side Wheel Brake (roller bearing only, 2" wide)
ZP	Zinc Plated

To order a rigid caster, change the "S" to "R" in the model number. For example: "70-CIR-0420-R". To order a rig only, omit the blue letters. For example: "70-0420-S". Dimensions shown are nominal. If precise dimensions are required, consult your RWM representative. For approximate weight of our rigid casters, deduct 3.9 pounds

70 Series Casters
65 Series Casters

UP TO 6,000 POUND CAPACITY

75 Series Casters



Heavy Duty Kingpinless™ Casters



75-DUR-1030-S

RWM's 75 Series caster features the patented Kingpinless™ design. The 75 Series is recommended for the most demanding applications and is available with up to 3" wheels for higher capacity applications. All swivel sections are supplied with a lubrication fitting for field maintenance.

FEATURES	
Raceway Design	Patented Kingpinless™ single ball bearing precision machined raceway hardened to 53 Rockwell C minimum. Swivel section features 3" diameter raceway with 1/2" ball bearings. The notched raceway is standard.
Leg Thickness	5/16" formed steel
Axle	3/4" bolt with lock or slotted nut as required
Finish	Laguna Blue paint
Wheels	Wheels are available with either a 1" roller bearing which rotates on a hardened and ground spanner bushing or 3/4" tapered bearings that rotate on the axle. All wheels are equipped with a lubrication fitting.
Mounting Plate Size	4-1/2" x 6-1/2" x 5/16"
Bolt Hole Spacing	2-7/16" x 4-15/16", slotted to 3-3/8" x 5-1/4"
Mounting Bolt Diameter	1/2"

SPECIFICATIONS

Wheel Diameter	Wheel Width	Wheel Type	lbs. Capacity	Overall Height	Swivel Caster Model Number			Swivel Lead	Approx Weight lbs.				
					Straight Roller Bearing	Ball Bearing	Tapered Roller Bearing						
5"	2-1/2"	Cast Iron	2000	6-1/2"	75-CIR-0525-S		75-CIT-0525-S	1-1/8"	18.0				
		Cast Iron	1800		75-CIR-0625-S		75-CIT-0625-S		17.0				
		Durastan	1600		75-DUR-0625-S				11.5				
		Forged Steel	5000		75-FSR-0625-S		75-FST-0625-S		20.5				
6"	2-1/2"	GT	2300	7-1/2"		75-GTB-0625-S		1-5/16"	11.5				
		Rubber on Iron	540		75-RIR-0625-S				16.5				
		Urethane on Iron	1620		75-UIR-0625-S		75-UIT-0625-S		16.5				
		V-Groove Iron	2500		75-VIR-0625-S		75-VIT-0625-S		16.5				
		Rubber on Iron-EHT	810		75-RIR-0625-S-EHT		75-RIT-0625-S-EHT		16.5				
		Cast Iron	3000		75-CIR-0630-S		75-CIT-0630-S		18.5				
6"	3"	Durastan	2000	7-1/2"	75-DUR-0630-S		75-DUR-0630-S	1-5/16"	12.5				
		Forged Steel	6000		75-FSR-0630-S		75-FST-0630-S		31.0				
		Rubber on Iron-EHT	1020		75-RIR-0630-S-EHT		75-RIT-0630-S-EHT		17.5				
		Solid Urethane	1650		75-SUR-0630-S	75-SUB-0630-S			12.5				
		Urethane on Iron	2000		75-UIR-0630-S		75-UIT-0630-S		17.5				
		V-Groove Forged	6000		75-VFR-0630-S		75-VFT-0630-S		30.0				
		Rubber on Iron	680		75-RIR-0630-S				17.5				
		Cast Iron	2000		75-CIR-0825-S		75-CIT-0825-S		23.0				
		Durastan	2000		75-DUR-0825-S		75-DUR-0825-S		15.0				
		Forged Steel	4500		75-FSR-0825-S		75-FST-0825-S		25.5				
8"	2-1/2"	GT	2400	10-1/8"		75-GTB-0825-S		2"	15.0				
		Rubber on Iron-EHT	1005		75-RIR-0825-S-EHT		75-RIT-0825-S-EHT		18.5				
		Urethane on Iron	1800		75-UIR-0825-S		75-UIT-0825-S		18.5				
		V-Groove Iron	3000		75-VIR-0825-S		75-VIT-0825-S		27.0				
		Rubber on Iron	670		75-RIR-0825-S				18.5				
		Cast Iron	2500		75-CIR-0830-S		75-CIT-0830-S		26.0				
		Durastan	2500		75-DUR-0830-S		75-DUR-0830-S		16.5				
		Forged Steel	5500		75-FSR-0830-S		75-FST-0830-S		26.0				
8"	3"	Rubber on Iron-EHT	1260	10-1/8"	75-RIR-0830-S-EHT		75-RIT-0830-S-EHT	2"	19.5				
		Omega	1600		75-UOR-0830-S		75-UOT-0830-S		19.0				
		Solid Urethane	1650		75-SUR-0830-S	75-SUB-0830-S			16.5				
		Urethane on Iron	2500		75-UIR-0830-S		75-UIT-0830-S		19.5				
		V-Groove Forged	6000		75-VFR-0830-S		75-VFT-0830-S		36.0				
		V-Groove Iron	5000		75-VIR-0830-S		75-VIT-0830-S		26.0				
		Rubber on Iron	840		75-RIR-0830-S				19.5				
		Cast Iron	3000		75-CIR-1025-S		75-CIT-1025-S		25.5				
		Durastan	2500		75-DUR-1025-S		75-DUR-1025-S		16.5				
		10"	2-1/2"		Rubber on Iron-EHT	1185	11-1/2"		75-RIR-1025-S-EHT		75-RIT-1025-S-EHT	2-3/16"	21.5
Urethane on Iron	2370			75-UIR-1025-S		75-UIT-1025-S		21.5					
Rubber on Iron	790			75-RIR-1025-S		75-RIT-1025-S		21.5					
Cast Iron	4000			75-CIR-1030-S		75-CIT-1030-S		23.0					
Durastan	2900			75-DUR-1030-S		75-DUR-1030-S		20.0					
Forged Steel	6000			75-FSR-1030-S		75-FST-1030-S		41.0					
GT	3400				75-GTB-1030-S			20.0					
Omega	2000			75-UOR-1030-S	75-UOB-1030-S			20.0					
Rubber on Aluminum	1500			75-RIR-1030-S-EHT	75-RAB-1030-S			20.3					
10"	3"			Rubber on Iron-EHT	1500	11-1/2"		75-RIR-1030-S-EHT	75-SUB-1030-S	75-RIT-1030-S-EHT	2-3/16"		22.5
		Solid Urethane	2000	75-SUR-1030-S				20.0					
		Urethane on Iron	3000	75-UIR-1030-S			75-UIT-1030-S	22.5					
		Ultra Thick Urethane	3400	75-UTR-1030-S			75-UTF-1030-S	25.0					
		V-Groove Forged	6000	75-VFR-1030-S			75-VFT-1030-S	48.0					
		V-Groove Iron	5000	75-VIR-1030-S			75-VIT-1030-S	23.0					
		Rubber on Iron	1000	75-RIR-1030-S			75-RIT-1030-S	22.5					
		Durastan	3000	75-DUR-1225-S			75-DUR-1225-S	20.5					
		12"	2-1/2"	Rubber on Iron	900		13-1/2"	75-RIR-1225-S		75-RIT-1225-S		2-5/8"	23.5
				Urethane on Iron	2700			75-UIR-1225-S		75-UIT-1225-S			23.5
Cast Iron	5000			75-CIR-1230-S		75-CIT-1230-S		32.0					
Durastan	3500			75-DUR-1230-S		75-DUR-1230-S		22.5					
Rubber on Aluminum	1710				75-RAB-1230-S			75-RAT-1230-S	24.5				
Rubber on Iron-EHT	1710			75-RIR-1230-S-EHT		75-RIT-1230-S-EHT		26.5					
Urethane on Iron	3400			75-UIR-1230-S		75-UIT-1230-S		26.5					
Ultra Thick Urethane	4100			75-UTR-1230-S		75-UTF-1230-S		28.0					
V-Groove Iron	6000			75-VIR-1230-S		75-VIT-1230-S		43.0					
Rubber on Iron	1140			75-RIR-1230-S		75-RIT-1230-S		26.5					

OPTIONS

CWB	Cam Wheel Brake
DSL	Demountable Swivel Lock
HT	High Temperature Lubrication
LT	Low Temperature Lubrication
PCWB	Poly Cam Wheel Brake
SL	Swivel Lock
SR	Sealed Swivel Raceway
ZP	Zinc Plated
FICWB	Field Installable Cam Wheel Brake

To order a rigid caster, change the "S" to "R" in the model number. For example: "75-CIR-1030-R". To order a rig only, omit the blue letters. For example: "75-1030-S". Dimensions shown are nominal. If precise dimensions are required, consult your RWM representative. For approximate weight of our rigid caster, deduct 3.9 pounds.

OPTIONAL MOUNTING PLATES

Optional Top Plate Number	Mounting Plate	Bolt Hole Spacing	Bolt Size
90ST*** 90RT	6" x 7"	4-5/8" x 5-1/2" slotted to 4-3/8" x 5-5/8"	1/2"
43ST* 43RT	5" x 5-1/2"	4-1/8" x 4-1/2"	3/8"
76ST** 76RT	5-1/4" x 7-1/4"	3-3/8" x 5-1/4" slotted to 4-1/8" x 6-1/8"	1/2"

* Subtract 1/16" OAH when using this top plate
 ** Add 1/16" OAH when using this top plate
 *** Add 3/16" OAH when using this top plate

75 Series Casters
76 Series Casters

UP TO 6,000 POUND CAPACITY

RWM's 76 Series caster features the patented Kingpinless™ design. The 76 Series offers up to 7000 lb. capacity and is available with a wide variety of wheels. All swivel sections are supplied with a lubrication fitting for field maintenance.



76-DUR-0830-S

FEATURES	
Raceway Design	Patented Kingpinless™ single ball bearing precision machined raceway hardened to 53 Rockwell C minimum. Swivel section features 3" diameter raceway with 1/2" ball bearings. The notched raceway is standard.
Leg Thickness	3/8"
Axle	3/4" bolt with lock or slotted nut as required
Finish	Laguna Blue paint
Wheels	Wheels are available with either a 1" roller bearing which rotates on a hardened and ground spanner bushing or 3/4" tapered bearings that rotate on the axle. All wheels are equipped with a lubrication fitting.
Mounting Plate Size	5-1/4" x 7-1/4" x 3/8"
Bolt Hole Spacing	3-3/8" x 5-1/4", slotted to 4-1/8" x 6-1/8"
Mounting Bolt Diameter	1/2"

SPECIFICATIONS														
Wheel Diameter	Wheel Width	Wheel Type	lbs. Capacity	Overall Height	Swivel Caster Model Number			Swivel Lead	Approx. Weight					
					Straight Roller Bearing	Ball Bearing	Tapered Roller Bearing							
5"	2-1/2"	Cast Iron	2000	7"	76-CIR-0525-S		76-CIT-0525-S	2"	18.0					
			1800		76-CIR-0625-S		76-CIT-0625-S		17.0					
6"	2-1/2"	Rubber on Iron-EHT	1600	8"	76-DUR-0625-S			2-1/4"	11.5					
			5000		76-FSR-0625-S		76-FST-0625-S		20.5					
			2300			76-GTB-0625-S				11.5				
			810		76-RIR-0625-S-EHT		76-RIT-0625-S-EHT		16.5					
			1620		76-UIR-0625-S		76-UIT-0625-S		16.5					
			2500		76-VIR-0625-S		76-VIT-0625-S		16.5					
			670		76-RIR-0625-S				16.5					
			3000		76-CIR-0630-S		76-CIT-0630-S		18.5					
6"	3"	Rubber on Iron-EHT	2000	8"	76-DUR-0630-S			2-1/4"	12.5					
			7000		76-FSR-0630-S		76-FST-0630-S		31.0					
			1020		76-RIR-0630-S-EHT		76-RIT-0630-S-EHT		17.5					
			1650		76-SUR-0630-S	76-SUB-0630-S			12.5					
			2000		76-UIR-0630-S		76-UIT-0630-S		17.5					
			7000		76-VFR-0630-S		76-VIT-0630-S		30.0					
			680		76-RIR-0825-S				17.5					
			2000		76-CIR-0825-S		76-CIT-0825-S		23.0					
8"	2-1/2"	Rubber on Iron-EHT	2000	10-1/2"	76-DUR-0825-S			2-15/16"	15.0					
			4500		76-FSR-0825-S		76-FST-0825-S		25.5					
			2400			76-GTB-0825-S				15.0				
			1005		76-RIR-0825-S-EHT		76-RIT-0825-S-EHT		18.5					
			2000		76-UIR-0825-S		76-UIT-0825-S		18.5					
			3000		76-VIR-0825-S		76-VIT-0825-S		27.0					
			670		76-RIR-0825-S				18.5					
			3000		76-CIR-0830-S		76-CIT-0830-S		26.0					
8"	3"	Rubber on Iron-EHT	2500	10-1/2"	76-DUR-0830-S			2-15/16"	16.5					
			5500		76-FSR-0830-S		76-FST-0830-S		26.0					
			1600		76-UOR-0830-S		76-UOT-0830-S		19.0					
			1260		76-RIR-0830-S-EHT		76-RIT-0830-S-EHT		19.5					
			1650		76-SUR-0830-S	76-SUB-0830-S			16.5					
			2500		76-UIR-0830-S		76-UIT-0830-S		19.5					
			5000		76-VIR-0830-S		76-VIT-0830-S		26.0					
			6000		76-VFR-0830-S		76-VFT-0830-S		36.0					
840	76-RIR-0830-S			19.5										
10"	2-1/2"	Rubber on Iron-EHT	2500	12-1/2"	76-CIR-1025-S		76-CIT-1025-S	3-3/8"	25.5					
			2500		76-DUR-1025-S				16.5					
			1185		76-RIR-1025-S-EHT		76-RIT-1025-S-EHT		21.5					
			2370		76-UIR-1025-S		76-UIT-1025-S		21.5					
10"	3"	Rubber on Iron	790	12-1/2"	76-RIR-1025-S		76-RIT-1025-S	3-3/8"	21.5					
			4000		76-CIR-1030-S		76-CIT-1030-S		23.0					
			2900		76-DUR-1030-S				20.0					
			6000		76-FSR-1030-S		76-FST-1030-S		41.0					
			3400			76-GTB-1030-S				20.0				
			2000		76-UOR-1030-S	76-UOB-1030-S			76-UOT-1030-S	22.0				
			1500		76-RAT-1030-S		76-RIT-1030-S		20.3					
			1500		76-RIR-1030-S-EHT		76-RIT-1030-S-EHT		22.5					
			2000		76-SUR-1030-S	76-SUB-1030-S				20.0				
			3000		76-UIR-1030-S		76-UIT-1030-S		22.5					
			3400		76-UTR-1030-S		76-UTT-1030-S		26.0					
			6000		76-VFR-1030-S		76-VFT-1030-S		48.0					
			5000		76-VIR-1030-S		76-VIT-1030-S		23.0					
			1000		76-RIR-1025-S		76-RIT-1025-S		22.5					
			12"		2-1/2"	Rubber on Iron	3000		15-1/2"	76-DUR-1225-S			4-5/16"	20.5
							900			76-RIR-1225-S		76-RIT-1225-S		23.5
2700	76-UIR-1225-S			76-UIT-1225-S			32.0							
12"	3"	Rubber on Aluminum	5000	15-1/2"	76-CIR-1230-S		76-CIT-1230-S	4-5/16"	23.5					
			3500		76-DUR-1230-S				22.5					
			1710			76-RAB-1230-S				24.5				
			1710		76-RIR-1230-S-EHT		76-RIT-1230-S-EHT		26.5					
			3400		76-UIR-1230-S		76-UIT-1230-S		26.5					
			4100		76-UTR-1230-S		76-UTT-1230-S		29.0					
			6000		76-VIR-1230-S		76-VIT-1230-S		43.0					
			1140		76-RIR-1030-S		76-RIT-1030-S		26.5					

OPTIONS	
CWB	Cam Wheel Brake
DSL	Demountable Swivel Lock
HT	High Temperature Lubrication
LT	Low Temperature Lubrication
PCWB	Poly Cam Wheel Brake
SL	Swivel Lock
SR	Sealed Swivel Raceway
ZP	Zinc Plated
FICWB	Field Installable Cam Wheel Brake

To order a rigid caster, change the "S" to "R" in the model number.
 For example: "76-CIR-1230-R". To order a rig only, omit the blue letters.
 For example: "76-1230-S".
 Dimensions shown are nominal. If precise dimensions are required, consult your RWM representative.
 For approximate weight of our rigid casters, deduct 3.9 pounds.

OPTIONAL MOUNTING PLATES			
Optional Top Plate Number	Mounting Plate	Bolt Hole Spacing	Bolt Size
90ST* 90RT	6" x 7"	4-5/8" x 5-1/2" slotted to 4-3/8" x 5-5/8"	1/2"
95ST* 95RT	6" x 7-1/2"	4-1/2" x 6" slotted to 4-1/8" x 6-1/8"	1/2"
75ST** 75RT	4-1/2" x 6-1/2"	2-7/16" x 4-15/16" slotted to 3-3/8" x 5-1/4"	1/2"

* Add 1/8" OAH when using this top plate
 ** Subtract 1/16" OAH when using this top plate

76 Series Casters

UP TO 7,000 POUND CAPACITY

85 Series Casters

Heavy Duty Kingpinless™ Casters

RWM's 85 Series caster features the patented Kingpinless™ design. The 85 Series offers a capacity up to 10,000 pounds and is available with wheels up to 5" wide for higher capacity ratings.



85-DUR-1230-S

FEATURES	
Raceway Design	Patented Kingpinless™ single ball bearing precision machined raceway hardened to 53 Rockwell C minimum 4-1/4" diameter raceway with 5/8" ball bearings.
Leg Thickness	3/8", 3" wide for 3" wheels, 4" wide for 4" wheels, 5" wide for 5" wheels.
Axle	3/4" bolt and nut for 3" wide, 1" or 1-1/4" bolt and nut for 4" wide, 1-1/4" bolt and nut for 5" wide.
Finish	Laguna Blue paint
Wheels	3" wide wheels are available with either a 1" roller bearing that rotates on a 3/4" x 1" x 3-9/16" hardened and ground spanner bushing or 3/4" tapered bearings that rotate on a 3/4" axle. 4" and 5" wheels are available with either a 1-1/4" I.D. roller bearing which rotates on a hardened and ground spanner bushing or 1-1/4" tapered bearings which rotate on the axle. All wheels are equipped with lubrication fitting.
Mounting Plate Size	6" x 7" x 1/2"
Bolt Hole Spacing	4-5/8" x 5-1/2", slotted to 4-3/8" x 5-5/8"
Mounting Bolt Diameter	1/2"

85 Series Casters
95 Series Casters

UP TO 10,000 POUND CAPACITY

SPECIFICATIONS									
Wheel Diameter	Wheel Width	Wheel Type	Capacity lbs.	Overall Height	Swivel Caster Model Number			Swivel Lead	Approx Weight lbs.
					Straight Roller Bearing	Ball Bearing	Tapered Roller Bearing		
6"	2-1/2"	Forged Steel GT	5000 2300	8-1/2"	85-FSR-0625-S	85-GTB-0625-S	85-FST-0625-S	2"	23.0 17.0
		Cast Iron Durastan Forged Steel Rubber on Iron-EHT Solid Urethane Urethane V-Groove Forged Rubber on Iron	3000 2000 7000 1020 1650 2000 7000 680		85-CIR-0630-S 85-DUR-0630-S 85-FSR-0630-S 85-RIR-0630-S-EHT 85-SUR-0630-S 85-UJR-0630-S 85-VFR-0630-S 85-RIR-0630-S		85-CIT-0630-S 85-FST-0630-S 85-RIT-0630-S-EHT 85-SUB-0630-S 85-UIT-0630-S 85-VFT-0630-S		24.0 17.0 28.0 20.0 17.0 23.0 32.0 20.0
8"	2-1/2"	Forged Steel GT	4500 2400	10-1/2"	85-FST-0825-S	85-GTB-0825-S	85-FST-0825-S	2-1/2"	30.0 21.0
		Cast Iron Durastan Forged Steel Omega Rubber on Iron Solid Urethane Urethane on Iron V-Groove Forged Steel V-Groove Iron Rubber on Iron-EHT	3000 2500 5500 1600 840 1650 2500 6000 5000 1260		85-RIR-0825-S-EHT 85-VIR-0825-S 85-RIR-0825-S		85-RIT-0825-S-EHT 85-VIT-0825-S		23.0 27.0 23.0
8"	3"	Cast Iron Durastan Forged Steel Omega Rubber on Iron Solid Urethane Urethane on Iron V-Groove Forged Steel V-Groove Iron Rubber on Iron-EHT	3000 2500 5500 1600 840 1650 2500 6000 5000 1260	10-1/2"	85-CIR-0830-S 85-DUR-0830-S 85-FSR-0830-S 85-UOR-0830-S 85-RIR-0830-S 85-SUR-0830-S 85-UJR-0830-S 85-VFR-0830-S 85-VIR-0830-S 85-RIR-0825-S EHT	85-GTB-0830-S 85-SUB-0830-S	85-CIT-0830-S 85-FST-0830-S 85-UOT-0830-S 85-RIT-0830-S	2-1/2"	28.0 21.0 32.0 26.0 23.0 21.0 26.0 29.0 30.0 23.0
		Cast Iron Durastan Forged Steel Omega Rubber on Aluminum Rubber on Iron Solid Urethane Ultra Thick Urethane Urethane on Iron V-Groove Forged Steel V-Groove Iron Rubber on Iron-EHT	4000 10000 3500 10000 4000 2900 6000 3400 2000 1500 1000 2000 3400 3000 6000 5000 1500		85-CIR-0840-S 85-FSR-0840-S 85-UJR-0840-S 85-VFR-0840-S		85-CIT-0840-S 85-FST-0840-S 85-UIT-0840-S 85-VIT-0840-S		34.0 36.0 28.0 36.0
10"	3"	Cast Iron Durastan Forged Steel GT Omega Rubber on Aluminum Rubber on Iron Solid Urethane Ultra Thick Urethane Urethane on Iron V-Groove Forged Steel V-Groove Iron Rubber on Iron-EHT	4000 2900 6000 3400 2000 1500 1000 2000 3400 3000 6000 5000 1500	12-1/2"	85-CIR-1030-S 85-DUR-1030-S 85-FSR-1030-S	85-GTB-1030-S 85-UOB-1030-S 85-RAB-1030-S	85-FST-1030-S 85-UOT-1030-S 85-RAT-1030-S 85-RIT-1030-S	2-9/16"	38.0 25.0 39.0 25.0 32.0 26.0 28.0 25.0 28.0 32.0 39.0 44.0 28.0
		Cast Iron Durastan Forged Steel Omega Rubber on Aluminum Rubber on Iron Solid Urethane Ultra Thick Urethane Urethane on Iron V-Groove Forged Steel V-Groove Iron Rubber on Iron-EHT	10000 1400 4500 4200 5000		85-RIR-1030-S-EHT 85-FST-1040-S 85-RIT-1040-S 85-UTT-1040-S 85-UIT-1040-S		85-RIT-1030-S-EHT 85-FST-1040-S 85-RIT-1040-S 85-UTT-1040-S 85-UIT-1040-S		28.0 32.0 32.0 32.0 27.0
10"	5"	Urethane on Iron	5000	12-1/2"	85-UJR-1050-S	85-RAB-1230-S	85-UIT-1050-S	2-9/16"	32.0
		Cast Iron Durastan Rubber on Aluminum Rubber on Iron Ultra Thick Urethane Urethane on Iron V-Groove Iron Rubber on Iron-EHT	5000 3500 1710 1140 4100 3400 6000 1710		85-CIR-1230-S 85-DUR-1230-S		85-CIT-1230-S 85-RAT-1230-S 85-RIT-1230-S 85-UIT-1230-S 85-VIT-1230-S 85-RIT-1230-S-EHT		41.0 29.0 35.0 38.0 31.0 42.0 43.0 38.0
12"	3"	Cast Iron Durastan Rubber on Aluminum Rubber on Iron Ultra Thick Urethane Urethane on Iron V-Groove Iron Rubber on Iron-EHT	4000 1600 5300 4800 2050 6500 6000	15-1/2"	85-DUR-1240-S 85-RIR-1240-S 85-UTR-1240-S 85-UJR-1240-S 85-RIR-1250-S 85-UTR-1250-S 85-UJR-1250-S	85-RAB-1230-S	85-RIT-1240-S 85-UTT-1240-S 85-UIT-1240-S	3-5/8"	28.0 29.0 36.0 29.0
		Cast Iron Durastan Rubber on Aluminum Rubber on Iron Ultra Thick Urethane Urethane on Iron V-Groove Iron Rubber on Iron-EHT	5000 3500 1710 1140 4100 3400 6000 1710		85-CIR-1230-S 85-DUR-1230-S		85-RAT-1230-S 85-RIT-1230-S 85-UIT-1230-S 85-VIT-1230-S 85-RIT-1230-S-EHT		41.0 29.0 35.0 38.0 31.0 42.0 43.0 38.0
12"	4"	Cast Iron Durastan Rubber on Aluminum Rubber on Iron Ultra Thick Urethane Urethane on Iron V-Groove Iron Rubber on Iron-EHT	4000 1600 5300 4800 2050 6500 6000	15-1/2"	85-DUR-1240-S 85-RIR-1240-S 85-UTR-1240-S 85-UJR-1240-S 85-RIR-1250-S 85-UTR-1250-S 85-UJR-1250-S	85-RAB-1230-S	85-RIT-1240-S 85-UTT-1240-S 85-UIT-1240-S	3-5/8"	28.0 29.0 36.0 29.0
		Cast Iron Durastan Rubber on Aluminum Rubber on Iron Ultra Thick Urethane Urethane on Iron V-Groove Iron Rubber on Iron-EHT	5000 3500 1710 1140 4100 3400 6000 1710		85-CIR-1230-S 85-DUR-1230-S		85-RAT-1230-S 85-RIT-1230-S 85-UIT-1230-S 85-VIT-1230-S 85-RIT-1230-S-EHT		41.0 29.0 35.0 38.0 31.0 42.0 43.0 38.0
12"	5"	Cast Iron Durastan Rubber on Aluminum Rubber on Iron Ultra Thick Urethane Urethane on Iron V-Groove Iron Rubber on Iron-EHT	4000 1600 5300 4800 2050 6500 6000	15-1/2"	85-DUR-1240-S 85-RIR-1240-S 85-UTR-1240-S 85-UJR-1240-S 85-RIR-1250-S 85-UTR-1250-S 85-UJR-1250-S	85-RAB-1230-S	85-RIT-1240-S 85-UTT-1240-S 85-UIT-1240-S	3-5/8"	28.0 29.0 36.0 29.0
		Cast Iron Durastan Rubber on Aluminum Rubber on Iron Ultra Thick Urethane Urethane on Iron V-Groove Iron Rubber on Iron-EHT	5000 3500 1710 1140 4100 3400 6000 1710		85-CIR-1230-S 85-DUR-1230-S		85-RAT-1230-S 85-RIT-1230-S 85-UIT-1230-S 85-VIT-1230-S 85-RIT-1230-S-EHT		41.0 29.0 35.0 38.0 31.0 42.0 43.0 38.0

OPTIONS	
CWB	Cam Wheel Brake
DSL	Demountable Swivel Lock*
HDSL	Heavy Duty Demountable Swivel Lock
HT	High Temperature Lubrication
LT	Low Temperature Lubrication
NY	Notched Yoke
PCWB	Poly Cam Wheel Brake
SL	Swivel Lock
SR	Sealed Swivel Raceway
ZP	Zinc Plate

*When ordering a Demountable Swivel Lock (DSL), you must also order the Notched Yoke (NY).

OPTIONAL MOUNTING PLATES			
Optional Top Plate Number	Mounting Plate	Bolt Hole Spacing	Bolt Size
95ST 95RT	6" x 7-1/2"	4-1/2" x 6" slotted to 4-1/8" x 6-1/8"	1/2"
LLST LLRT	8-1/2" X 11"	7" x 9-3/4"	5/8"
LMST LMRT	8-1/2" X 8-1/2"	7" x 7"	5/8"

To order a rigid caster, change the "S" to "R" in the model number. For example: "85-CIR-0840-R".
To order a rig only, omit the blue letters.
For example: "85-0840-S". Dimensions shown are nominal. If precise dimensions are required, consult your RWM representative. For approximate weight of our rigid caster, deduct 3.9 pounds.

RWM's 95 Series features the patented Kingpinless™ design. The 95 Series offers a capacity up to 20,000 pounds with a wide variety of heavy duty wheels to maximize capacity.



95-UOT-1030-S

FEATURES	
Raceway Design	4-1/2" diameter with 3/4" diameter carbon steel balls. Precision machined and hardened to 53 Rockwell C minimum scale. Load and thrust are accommodated by our patented Kingpinless™ design. Sealed raceway is standard.
Leg Thickness	3/8" formed steel
Axle	3/4" bolt and nut for 3" wide, 1" or 1-1/4" bolt and nut for 4" wide, 1-1/4" bolt and nut for 5" wide.
Lubrication	Grease fitting in swivel and hub of wheel
Finish	Laguna Blue paint
Wheels	3" wide wheels are available with either a 1" roller bearing that rotates on a 3/4" x 1" x 3-9/16" hardened and ground spacer bushing or 3/4" tapered bearings that rotate on a 3/4" axle. 4" and 5" wheels are available with either a 1-1/4" I.D. roller bearing which rotates on a hardened and ground spacer bushing or 1-1/4" tapered bearings which rotate on the axle. All wheels are equipped with a lubrication fitting.
Mounting Plate Size	6-1/4" x 7-1/2" x 1/2" swivel top plate, 6" x 7-1/2" x 1/2" rigid top plate
Bolt Hole Spacing	4-1/2" x 6", slotted to 4-1/8" x 6-1/8"
Mounting Bolt Diameter	1/2"
	Swivel Yoke Base - SAE 1045 hot steel forging Swivel Top Plate - SAE 1045 hot steel forging

SPECIFICATIONS

Wheel Diameter	Wheel Width	Wheel Type	Capacity lbs.	Overall Height	Swivel Caster Model Number			Swivel Lead	Approx Weight lbs.
					Straight Roller Bearing	Ball Bearing	Tapered Roller Bearing		
6"	2-1/2"	Forged Steel GT	5000 2300	8-1/2"	95-FSR-0625-S	95-GTB-0625-S	95-FST-0625-S	1-3/4"	23.0 17.0
6"	3"	Cast Iron	3000	8-1/2"	95-CIR-0630-S	95-SUB-0630-S	95-CIT-0630-S	1-3/4"	24.0
		Durastan	2000		95-DUR-0630-S		95-FST-0630-S		28.0
		Forged Steel	7000		95-FSR-0630-S		95-FST-0630-S		28.0
		Forged Steel-HD	10,000		95-FSR-0630-SHD		95-FST-0630-SHD		28.0
		Rubber on Iron-EHT	1020		95-RIR-0630-S-EHT		95-RIT-0630-S-EHT		20.0
		Solid Urethane	1650		95-SUR-0630-S		95-UIT-0630-S		17.0
		Urethane on Iron	2000		95-UIR-0630-S		95-VIT-0630-S		23.0
V-Groove Forged Steel	7000	95-VFR-0630-S	95-VFT-0630-S	32.0					
Rubber on Iron	680	95-RIR-0630-S		20.0					
8"	2-1/2"	Forged Steel GT	4500 2400	10-1/2"	95-FSR-0825-S	95-GTB-0825-S	95-FST-0825-S	2-3/16"	30.0 21.0
		Rubber on Iron-EHT	1005		95-RIR-0825-S-EHT		95-RIT-0825-S-EHT		23.0
		V-Groove Iron	3000		95-VIR-0825-S		95-VIT-0825-S		27.0
		Rubber on Iron	670		95-RIR-0825-S				23.0
8"	3"	Cast Iron	3000	10-1/2"	95-CIR-0830-S	95-SUB-0830-S	95-CIT-0830-S	2-3/16"	28.0
		Durastan	2500		95-DUR-0830-S		95-FST-0830-S		21.0
		Forged Steel	5500		95-FSR-0830-S		95-UOT-0830-S		32.0
		Omega	1600		95-UOR-0830-S		95-UOT-0830-S		26.0
		Rubber on Iron-EHT	1260		95-RIR-0830-S-EHT		95-RIT-0830-S-EHT		23.0
		Solid Urethane	1650		95-SUR-0830-S		95-UIT-0830-S		21.0
		Urethane on Iron	2500		95-UIR-0830-S		95-VIT-0830-S		26.0
		V-Groove Forged Steel	6000		95-VFR-0830-S		95-VFT-0830-S		29.0
		V-Groove Iron	5000		95-VIR-0830-S		95-VIT-0830-S		30.0
		Rubber on Iron	840		95-RIR-0830-S				23.0
8"	4"	Cast Iron	4000	10-1/2"	95-CIR-0840-S	95-VFT-0840-S	95-CIT-0840-S	2-3/16"	30.0
		Forged Steel	10000		95-FSR-0840-S		95-FST-0840-S		34.0
		Forged Steel	20000		95-FSR-0840-S		95-UIT-0840-S		34.0
		Urethane on Iron	3500		95-UIR-0840-S				28.0
		V-Groove Forged Steel	10000		95-VFR-0840-S				34.0
V-Groove Forged Steel	15000			34.0					
10"	3"	Cast Iron	4000	12-1/2"	95-CIR-1030-S	95-SUB-1030-S	95-CIT-1030-S	2-11/16"	38.0
		Durastan	2900		95-DUR-1030-S		95-FST-1030-S		25.0
		Forged Steel	6000		95-FSR-1030-S		95-FST-1030-S		39.0
		GT	3400		95-UOR-1030-S		95-UOT-1030-S		25.0
		Omega	2000		95-UOR-1030-S		95-UOT-1030-S		32.0
		Rubber on Aluminum	1500		95-RIR-1030-S-EHT		95-RIT-1030-S-EHT		26.0
		Rubber on Iron-EHT	1500		95-SUR-1030-S		95-RAT-1030-S		28.0
		Solid Urethane	2000		95-SUR-1030-S		95-RIT-1030-S-EHT		25.0
		Ultra Thick Urethane	3400		95-UIR-1030-S		95-UIT-1030-S		32.0
		Urethane on Iron	3000		95-UIR-1030-S		95-UIT-1030-S		32.0
		V-Groove Forged Steel	6000		95-VFR-1030-S		95-VFT-1030-S		39.0
		V-Groove Iron	5000		95-VIR-1030-S		95-VIT-1030-S		44.0
		Rubber on Iron	1000		95-RIR-1030-S		95-RIT-1030-S		28.0
10"	4"	Forged Steel	10000	12-1/2"	95-FSR-1040-S	95-VFT-1040-S	95-FST-1040-S	2-7/16"	41.0
		Forged Steel	20000		95-RIR-1040-S		95-RIT-1040-S		41.0
		Rubber on Iron	1400		95-UTR-1040-S		95-UIT-1040-S		34.0
		Ultra Thick Urethane	4500		95-UIR-1040-S		95-UIT-1040-S		36.0
		Urethane on Iron	4200		95-UIR-1040-S				63.0
V-Groove Forged Steel	10000			41.0					
V-Groove Forged Steel	15000			41.0					
10"	5"	Urethane on Iron	5000	12-1/2"	95-UIR-1050-S	95-RAB-1230-S	95-UIT-1050-S	3-5/8"	32.0
		Cast Iron	5000		95-CIR-1230-S		95-CIT-1230-S		41.0
		Durastan	3500		95-DUR-1230-S		95-RAT-1230-S		29.0
		Rubber on Aluminum	1710		95-RIR-1230-S-EHT		95-RIT-1230-S-EHT		35.0
		Rubber on Iron-EHT	1710		95-UIR-1230-S		95-UIT-1230-S		38.0
		Ultra Thick Urethane	4100		95-UIR-1230-S		95-UIT-1230-S		35.0
		Urethane on Iron	3400		95-UIR-1230-S		95-UIT-1230-S		42.0
V-Groove Iron	6000	95-VIR-1230-S	95-VIT-1230-S	43.0					
Rubber on Iron	1140	95-RIR-1030-S	95-RIT-1030-S	38.0					
12"	3"	Durastan	4000	15-1/2"	95-DUR-1240-S	95-RAB-1230-S	95-RIT-1240-S	3-5/8"	30.0
		Rubber on Iron	1600		95-RIR-1240-S		95-UIT-1240-S		40.0
		Ultra Thick Urethane	5300		95-UTR-1240-S		95-UIT-1240-S		40.0
		Urethane on Iron	4800		95-UIR-1240-S				44.0
12"	4"	Rubber on Iron	2050	15-1/2"	95-RIR-1250-S	95-RAB-1230-S	95-RIT-1250-S	3-5/8"	44.0
		Ultra Thick Urethane	6500		95-UTR-1250-S		95-UIT-1250-S		49.0
		Urethane on Iron	6000		95-UIR-1250-S		95-UIT-1250-S		48.0
14"	3"	Ultra Thick Urethane	4800	18"	95-UTR-1430-S	95-RAB-1230-S	95-UIT-1430-S	4-3/8"	39.0
		Ultra Thick Urethane	6200		95-UTR-1440-S		95-UIT-1440-S		44.0
		Ultra Thick Urethane	7600		95-UTR-1450-S		95-UIT-1450-S		52.0
16"	3"	Durastan	4000	19"	95-DUR-1630-S	95-RAB-1230-S	95-RIT-1630-S	4-3/8"	35.0
		Rubber on Iron	1420		95-RIR-1630-S		95-UIT-1630-S		45.0
		Ultra Thick Urethane	5400		95-UTR-1630-S		95-UIT-1630-S		47.0
		Urethane on Iron	4600		95-UIR-1630-S		95-UIT-1630-S		48.0
16"	4"	Durastan	8000	19"	95-DUR-1640-S	95-RAB-1230-S	95-RIT-1640-S	4-3/8"	37.0
		Ultra Thick Urethane	7100		95-UTR-1640-S		95-UIT-1640-S		52.0
		Urethane on Iron	6000		95-UIR-1640-S		95-UIT-1640-S		54.0
16"	5"	Ultra Thick Urethane	8800	19"	95-UTR-1650-S	95-RAB-1230-S	95-UIT-1650-S	4-3/16"	60.0
		Urethane on Iron	8400		95-UIR-1650-S		95-UIT-1650-S		60.0

OPTIONS

CWB	Cam Wheel Brake
DSL	Demountable Swivel Lock*
HDSL	Heavy Duty Demountable Swivel Lock
HT	High Temperature Lubrication
LT	Low Temperature Lubrication
NY	Notched Yoke
PCWB	Poly Cam Wheel Brake
SL	Swivel Lock**
WS	Wheel Seals
ZP	Zinc Plating

*When ordering a Demountable Swivel Lock (DSL), you must also order the Notched Yoke (NY). **Add 1/4" to overall height for swivel lock (SL) casters with 4" and 5" wide wheels.

To order a rigid caster, change the "S" to "R" in the model number. For example: "95-CIR-0630-R".

To order a rig only, omit the blue letters. For example: "95-0630-S". Dimensions shown are nominal. If precise dimensions are required, consult your RWM representative. For approximate weight of our rigid caster, deduct 9.6 pounds.

95 Series Casters
85 Series Casters

UP TO 20,000 POUND CAPACITY

125 Series Casters

Heavy Duty Kingpinless™ Casters

RWM's 125 Series features the patented Kingpinless™ design. The 125 Series offers capacity up to 40,000 pounds. Typical applications include ground support equipment, die carts, and aircraft engine stands. Leg thickness of 1/2" adds extra strength and durability. All swivel sections are supplied with a lubrication fitting for field maintenance.



125-UIT-0840-S

FEATURES	
Raceway Design	Patented Kingpinless™ single ball bearing precision machined raceway hardened to 53 Rockwell C Minimum, 7" diameter raceway with 3/4" diameter ball bearings
Finish	Laguna Blue paint
Wheels	Wheels are either 3", 4", 5" or 6" wide depending upon wheel size and type. Wheels have either a 3/4", 1", 1-1/4" or 1-1/2" roller bearing or 3/4", 1", 1-1/4" tapered wheel bearings. Roller bearing wheels rotate on a hardened and ground spanner, tapered wheel bearings rotate on the axle. All wheels are equipped with lubrication fittings.
Mounting Plate Size	8-1/2" x 8-1/2" x 1/2"
Bolt Hole Spacing	7" x 7"
Mounting Bolt Diameter	5/8"

SPECIFICATIONS

Wheel Diameter	Wheel Width	Wheel Type	Capacity lbs.	Overall Height	Swivel Caster Model Number		Swivel Lead	Approx Weight lbs.		
					Straight Roller Bearing	Tapered Roller Bearing				
8"	4"	Cast Iron	4000	11"	125-CIR-0840-S	125-CIT-0840-S	2-3/16"	70.0		
		Forged Steel	10000		125-FSR-0840-S			86.0		
		Forged Steel	20000			125-FST-0840-S		86.0		
		Urethane on Iron	3500		125-UIR-0840-S	125-UIT-0840-S		62.0		
		V-Grooved Forged	10000		125-VFR-0840-S			80.0		
		V-Grooved Forged	15000			125-VFT-0840-S		80.0		
10"	4"	Cast Iron	5000	13"	125-CIR-1040-S	125-CIT-1040-S	2-9/16"	90.0		
		Forged Steel	10000		125-FSR-1040-S			100.0		
		Forged Steel	20000			125-FST-1040-S		100.0		
		Rubber On Iron	1400		125-RIR-1040-S	125-RIT-1040-S		72.0		
		Ultra Thick Urethane	4500		125-UTR-1040-S	125-UTT-1040-S		62.0		
		Urethane on Iron	4200		125-UIR-1040-S	125-UIT-1040-S		75.0		
		V-Grooved Forged	10000		125-VFR-1040-S			92.0		
		V-Grooved Forged	15000			125-VFT-1040-S		92.0		
		Cast Iron	6000		13"	125-CIR-1050-S		125-CIT-1050-S	2-9/16"	95.0
		Urethane on Iron	5000			125-UIR-1050-S		125-UIT-1050-S		80.0
11"	5"	Rubber On Iron	1760	14"	125-RIR-1150-S	125-RIT-1150-S	2-5/8"	85.0		
		Urethane on Iron	5500		125-UIR-1150-S	125-UIT-1150-S		85.0		
11"	6"	Cast Iron	10000	14"	125-CIR-1160-S	125-CIT-1160-S	2-3/4"	95.0		
12"	4"	Rubber On Iron	1600	15-1/2"	125-RIR-1240-S	125-RIT-1240-S	3-3/8"	78.0		
		Ultra Thick Urethane	5300		125-UTR-1240-S	125-UTT-1240-S		75.0		
		Urethane on Iron	4800		125-UIR-1240-S	125-UIT-1240-S		78.0		
12"	5"	Rubber On Iron	2050	15-1/2"	125-RIR-1250-S	125-RIT-1250-S	3-3/8"	90.0		
		Ultra Thick Urethane	6500		125-UTR-1250-S	125-UTT-1250-S		78.0		
		Urethane on Iron	6000		125-UIR-1250-S	125-UIT-1250-S		90.0		
12"	6"	Cast Iron	10000	15-1/2"	125-CIR-1260-S	125-CIT-1260-S	3-3/8"	130.0		
		Urethane on Iron	7500		125-UIR-1260-S	125-UIT-1260-S		95.0		
14"	4"	Ultra Thick Urethane	6200	18"	125-UTR-1440-S	125-UTT-1440-S	3-11/16"	90.0		
14"	5"	Ultra Thick Urethane	7600	18"	125-UTR-1450-S	125-UTT-1450-S	3-11/16"	85.0		
14"	6"	Ultra Thick Urethane	9000	18"	125-UTR-1460-S	125-UTT-1460-S	3-11/16"	140.0		
16"	4"	Rubber On Iron	2050	19"	125-RIR-1640-S	125-RIT-1640-S	3-9/16"	130.0		
		Ultra Thick Urethane	7100		125-UTR-1640-S	125-UTT-1640-S		97.0		
		Urethane on Iron	6000		125-UIR-1640-S	125-UIT-1640-S		130.0		
16"	5"	Rubber On Iron	2570	19"	125-RIR-1650-S	125-RIT-1650-S	3-9/16"	140.0		
		Ultra Thick Urethane	8800		125-UTR-1650-S	125-UTT-1650-S		130.0		
		Urethane on Iron	8400		125-UIR-1650-S	125-UIT-1650-S		140.0		
18"	5"	Rubber On Iron	2800	22"	125-RIR-1850-S	125-RIT-1850-S	4-1/4"	150.0		
		Urethane on Iron	8600		125-UIR-1850-S	125-UIT-1850-S		138.0		
20"	5"	Rubber On Iron	2900	23"	125-RIR-2050-S	125-RIT-2050-S	4-1/4"	155.0		
		Urethane on Iron	9000		125-UIR-2050-S	125-UIT-2050-S		149.0		

OPTIONS

DSL	Demountable Swivel Lock*
HDSL	Heavy Duty Demountable Swivel Lock
FCWB	Face Contact Wheel Brake
HT	High Temperature Lubrication
LT	Low Temperature Lubrication
NY	Notched Yoke
PCWB	Poly Cam Wheel Brake
SL	Swivel Lock
SR	Sealed Swivel Raceway
WS	Wheel Seals
ZP	Zinc Plated

*When ordering the Demountable Swivel Lock (DSL), you must also order the Notched Yoke (NY).

To order a rigid caster, change the "S" to "R" in the model number. For example: "125-CIR-0840-R". To order rig only, omit the blue letters. For example: "125-0840-S". Dimensions shown are nominal. If precise dimensions are required, consult your RWM representative. For approximate weight of our rigid casters, deduct 12.5 pounds per item.

OPTIONAL MOUNTING PLATES

Optional Top Plate Number	Mounting Plate	Bolt Hole Spacing	Bolt Size
LLST/LLRT	8-1/2" x 11"	7" x 9-3/4"	5/8"

125 Series Casters
2-65 Series Casters

UP TO 40,000 POUND CAPACITY



2-65-UIR-0415-S

FEATURES	
Raceway Design	Patented Kingpinless™ single ball bearing precision machined raceway hardened to 53 Rockwell C minimum. Swivel section features a 2-3/8" diameter raceway with 3/8" ball bearings. The notched yoke is standard. All swivel sections are supplied with a lubrication fitting for field maintenance.
Axle	1/2" diameter with lubrication fitting and lock nut
Finish	Zinc plated to protect from corrosion
Wheels	All wheels are 1-1/2" wide with a 3/4" I.D. roller bearing which rotates on a single 3/4" O.D. spanner bushing for ease of rollability. All bearings are prelubricated.
Mounting Plate Size	4" x 4-1/2" x 1/4"
Bolt Hole Spacing	2-5/8" x 3-5/8" slotted to 3" x 3"
Mounting Bolt Diameter	3/8"
Leg Thickness	1/4" formed steel

SPECIFICATIONS

Wheel Diameter	Wheel Width	Wheel Type	lbs. Capacity	Overall Height	Swivel Caster Model Number		Swivel Lead	Approx Weight lbs.
					Straight Roller	Ball Bearing		
4"	1-1/2"	Cast Iron	1000	5-3/4"	2-65-CIR-0415-S	2-65-CIB-0415-S	1-1/8"	10.0
		Durastan	1200		2-65-DUR-0415-S	2-65-DUB-0415-S		8.0
		GT	1300			2-65-GTB-0415-S		8.0
		Performance TPR	650		2-65-RPR-0415-S	2-65-RPB-0415-S		8.0
		Rubber on Iron	500		2-65-RIR-0415-S			8.0
		Urethane on Aluminum	1200		2-65-UAR-0415-S			7.5
		Urethane on Iron	1200		2-65-UIR-0415-S	2-65-UIB-0415-S		8.0
		Urethane Polypropylene	1000		2-65-UPR-0415-S	2-65-UPB-0415-S		7.5
Urethane Solid	600	2-65-USR-0415-S		8.0				
5"	1-1/2"	Cast Iron	1200	6-3/4"	2-65-CIR-0515-S	2-65-CIB-0515-S	1-1/2"	12.0
		Durastan	1300		2-65-DUR-0515-S	2-65-DUB-0515-S		9.0
		GT	1600			2-65-GTB-0515-S		9.0
		Performance TPR	700		2-65-RPR-0515-S	2-65-RPB-0515-S		8.0
		Rubber on Iron	600		2-65-RIR-0515-S			9.0
		Urethane on Aluminum	1440		2-65-UAR-0515-S			8.5
		Urethane on Iron	1440		2-65-UIR-0515-S	2-65-UIB-0515-S		9.0
		Urethane Polypropylene	1400		2-65-UPR-0515-S	2-65-UPB-0515-S		8.0
Urethane Solid	660	2-65-USR-0515-S		9.0				
6"	1-1/2"	Cast Iron	1200	7-3/4"	2-65-CIR-0615-S		1-1/2"	13.0
		Durastan	1600		2-65-DUR-0615-S	2-65-DUB-0615-S		10.0
		GT	1700			2-65-GTB-0615-S		10.0
		Performance TPR	700		2-65-RPR-0615-S	2-65-RPB-0615-S		8.0
		Rubber on Iron	740		2-65-RIR-0615-S			10.0
		Urethane on Iron	1680		2-65-UIR-0615-S	2-65-UIB-0615-S		12.0
		Urethane Polypropylene	1600		2-65-UPR-0615-S	2-65-UPB-0615-S		11.0

OPTIONS	
CWB	Cam Wheel Brake
DSL	Demountable Swivel Lock
HT	High Temperature Lubrication
LT	Low Temperature Lubrication
SL	Swivel Lock
SR	Sealed Swivel Raceway
TG	Thread Guard

To order a rigid caster, change the "S" to "R" in the model number. For example: "2-65-CIR-0415-R". To order rig only, omit the blue letters. For example: "2-65-0415-S". Dimensions shown are nominal. If precise dimensions are required, consult your RWM representative. For approximate weight of our rigid casters, deduct 5.4 pounds per item.

OPTIONAL MOUNTING PLATES

Optional Top Plate Number	Mounting Plate	Bolt Hole Spacing	Bolt Size
41ST 41RT	4" x 5"	2-5/8" x 3-5/8" slotted to 3" x 4"	3/8"
42ST 42RT	4-1/2" x 6-1/2"	2-7/16 x 4-15/16 slotted to 3-3/8" x 5-1/4"	1/2"
43ST 43RT	5" x 5-1/2"	4-1/8" x 4-1/2"	3/8"

2-65 Series Casters
125 Series Casters

UP TO 2,000 POUND CAPACITY

2-75 Series Casters

Kingpinless™ Dual Wheel Casters



2-75-DUR-0520-S-CWB

FEATURES	
Raceway Design	Patented Kingpinless™ single ball bearing precision machined raceway hardened to 53 Rockwell C minimum. Swivel section features a 3" diameter raceway with 1/2" ball bearings. The notched yoke is standard.
Finish	Laguna Blue paint
Axle	1/2" bolt, locking nut and lubrication fittings
Leg Thickness	5/16" formed steel. Center leg support is added for increased strength.
Wheels	All wheels are 2" wide with 3/4" I.D. roller bearings that are prelubricated and rotate on individual spanner bushings or annular ball bearings for ease of rollability.
Mounting Plate Size	4-1/2" x 6-1/2" x 5/16"
Bolt Hole Spacing	2-7/16" x 4-15/16", slotted to 3-3/8" x 5-1/4"
Mounting Bolt Diameter	1/2"

SPECIFICATIONS

Wheel Diameter	Wheel Width	Wheel Type	lbs. Capacity	Overall Height	Swivel Caster Model Number		Swivel Lead	Approx Weight lbs.	
					Straight Roller	Ball Bearing			
5"	2"	Cast Iron	2000	7-1/2"	2-75-CIR-0520-S	2-75-CIB-0520-S	1-7/16"	17.0	
		Durastan	2000		2-75-DUR-0520-S			11.5	
		GT	2400			2-75-GTB-0520-S		11.5	
		High Temp Nylon	2000		2-75-HNR-0520-S			11.5	
		Performance TPR	750		2-75-RPB-0520-S			14.0	
		Rubber on Aluminum	1200		2-75-RAR-0520-S			2-75-RAB-0520-S	15.5
		Rubber on Iron	800		2-75-RIR-0520-S				16.5
		Solid Urethane	1800		2-75-SUR-0520-S			2-75-SUB-0520-S	12.5
		Urethane on Iron	2100		2-75-UIR-0520-S				16.5
Urethane Polyolefin	1500	2-75-UPR-0520-S		2-75-UPB-0520-S	14.0				
6"	2"	Cast Iron	2400	8"	2-75-CIR-0620-S	2-75-CIB-0620-S	1-7/16"	18.5	
		Durastan	2400		2-75-DUR-0620-S	2-75-DUB-0620-S		12.5	
		High Temp Nylon	2400		2-75-HNR-0620-S			12.5	
		GT	3000			2-75-GTB-0620-S		12.5	
		Performance TPR	1050		2-75-RPB-0620-S			2-75-RAB-0620-S	15.0
		Omega	2000		2-75-UOR-0620-S			2-75-UOB-0620-S	16.5
		Rubber on Aluminum	1230		2-75-RAR-0620-S			2-75-RAB-0620-S	16.5
		Rubber on Iron	820		2-75-RIR-0620-S				17.5
		Solid Urethane	1800		2-75-SUR-0620-S			2-75-SUB-0620-S	13.5
Urethane on Iron	2460	2-75-UIR-0620-S		2-75-UIB-0620-S	17.5				
Urethane Polyolefin	1800	2-75-UPR-0620-S		2-75-UPB-0620-S	15.0				
8"	2"	Cast Iron	2800	10-1/8"	2-75-CIR-0820-S	2-75-CIB-0820-S	2-1/16"	23.0	
		Durastan	2800		2-75-DUR-0820-S	2-75-DUB-0820-S		15.0	
		GT	3600			2-75-GTB-0820-S		15.0	
		Omega	2400		2-75-UOR-0820-S	2-75-UOB-0820-S		18.0	
		Rubber on Aluminum	1500		2-75-RAR-0820-S			2-75-RAB-0820-S	17.5
		Rubber on Iron	1000		2-75-RIR-0820-S				18.5
		Performance TPR	1200		2-75-RPB-0820-S			2-75-RAB-0820-S	16.0
		Solid Urethane	2100		2-75-SUR-0820-S			2-75-SUB-0820-S	16.0
		Urethane on Iron	3000		2-75-UIR-0820-S			2-75-UIB-0820-S	18.5
Urethane Polyolefin	2000	2-75-UPR-0820-S		2-75-UPB-0820-S	16.0				

OPTIONS

CWB	Cam Wheel Brake
DSL	Demountable Swivel Lock
HT	High Temperature Lubrication
LT	Low Temp Lube
SL	Swivel Lock
SR	Sealed Swivel Raceway
ZP	Zinc Plated

2-75 Series Casters
2-76 Series Casters

UP TO 6,000 POUND CAPACITY

To order a rigid caster, change the "S" to "R" in the model number. For example: "2-75-CIR-0520-R". To order rig only, omit the blue letters. For example: "2-65-0520-S". Dimensions shown are nominal. If precise dimensions are required, consult your RWM representative. For approximate weight of our rigid casters, deduct 5.4 pounds per item.

OPTIONAL MOUNTING PLATES

Optional Top Plate Number	Mounting Plate	Bolt Hole Spacing	Bolt Size
90ST*** 90RT	6" x 7"	4-5/8" x 5-1/2" slotted to 4-3/8" x 5-5/8"	1/2"
43ST* 43RT	5" x 5-1/2"	4-1/8" x 4-1/2"	3/8"
76ST** 76RT	5-1/4" x 7-1/4"	3-3/8" x 5-1/4" slotted to 4-1/8" x 6-1/8"	1/2"

* Subtract 1/16" OAH when using this top plate
** Add 1/16" OAH when using this top plate
*** Add 3/16" OAH when using this top plate

FEATURES	
Raceway Design	Patented Kingpinless™ single ball bearing precision machined raceway hardened to 53 Rockwell C. minimum. Swivel section features a 3" diameter raceway with 1/2" ball bearings. Notched yoke is standard.
Axle	3/4" bolt with locking or slotted nut as required
Finish	Laguna Blue paint
Wheels	Wheels are available with either 1" roller bearings which rotate on hardened and ground spanner bushings or 3/4" tapered bearings that rotate on the axle. All wheels are equipped with a lubrication fitting.
Mounting Plate Size	5-1/4" x 7-1/4" x 3/8"
Bolt Hole Spacing	3-3/8" x 5-1/4", slotted to 4-1/8" x 6-1/8"
Mounting Bolt Diameter	1/2"
Leg Thickness	3/8"



2-76-DUR-0625-S-SL-CWB

SPECIFICATIONS															
Wheel Diameter	Wheel Width	Wheel Type	lbs. Capacity	Overall Height	Swivel Caster Model Number			Swivel Lead	Approx Weight lbs.						
					Straight Roller Bearing	Ball Bearing	Tapered Roller Bearing								
6"	2-1/2"	Cast Iron	3600	8-1/16"	2-76-CIR-0625-S	2-76-GTB-0625-S	2-76-CIT-0625-S	2-1/6"	37.0						
		Durastan	3200		2-76-DUR-0625-S		21.7								
		GT	4600		2-76-RIR-0625-S-EHT		21.0								
		Rubber on Iron-EHT	1620		2-76-UJR-0625-S		36.5								
		Urethane on Iron	3240		2-76-UIT-0625-S		39.5								
Rubber on Iron	1080	2-76-RIR-0625-S	36.5												
6"	3"	Cast Iron	6000	8-1/16"	2-76-CIR-0630-S	2-76-SUB-0630-S	2-76-CIT-0630-S	2-1/16"	39.0						
		Durastan	4000		2-76-DUR-0630-S		24.0								
		Rubber on Iron-EHT	2040		2-75-RIR-0630-S-EHT		33.0								
		Urethane on Iron	4000		2-76-UJR-0630-S		33.0								
		Solid Urethane	3300		2-76-SUR-0630-S		24.0								
Rubber on Iron	1360	2-76-RIR-0630-S	33.0												
8"	2-1/2"	Cast Iron	4000	10-1/2"	2-76-CIR-0825-S	2-76-GTB-0825-S	2-76-CIT-0825-S	2-3/4"	52.0						
		Durastan	4000		2-76-DUR-0825-S		29.0								
		GT	4800		2-76-RIR-0825-S		28.0								
		Rubber on Iron-EHT	2000		2-76-RIR-0825-S-EHT		41.5								
		Urethane on Iron	3600		2-76-UJR-0825-S		48.5								
Rubber on Iron	1340	2-76-RIR-0825-S	41.5												
8"	3"	Cast Iron	5000	10-1/2"	2-76-CIR-0830-S	2-76-SUB-0830-S	2-76-CIT-0830-S	2-3/4"	49.0						
		Durastan	5000		2-76-DUR-0830-S		28.0								
		Rubber on Iron-EHT	2520		2-76-RIR-0830-S-EHT		52.0								
		Urethane on Iron	5000		2-76-UJR-0830-S		52.0								
		Solid Urethane	3300		2-76-SUR-0830-S		28.0								
Rubber on Iron	1680	2-76-RIR-0830-S	52.0												
10"	2-1/2"	Cast Iron	5000	12-1/2"	2-76-CIR-1025-S	2-76-GTB-1030-S	2-76-CIT-1025-S	3-1/4"	63.5						
		Durastan	5000		2-76-DUR-1025-S		30.5								
		Rubber on Iron-EHT	2360		2-76-RIR-1025-S-EHT		47.5								
		Urethane on Iron	4740		2-76-UJR-1025-S		58.5								
		Rubber on Iron	1580		2-76-RIR-1025-S		47.5								
10"	3"	Durastan	5400	12-1/2"	2-76-DUR-1030-S	2-76-RAB-1030-S	2-76-RAT-1030-S	3-1/4"	31.0						
		GT			2-76-RIR-1030-S-EHT				61.0						
		Rubber on Aluminum	3000		2-76-SUR-1030-S				61.0						
		Rubber on Iron-EHT	3000		2-76-UTR-1030-S				31.0						
		Solid Urethane	4000		2-76-UJR-1030-S				64.0						
		Ultra Thick Urethane	6800		2-76-RIR-1030-S				61.0						
		Urethane on Iron	6000		2-76-RIR-1030-S				61.0						
		Rubber on Iron	2000		2-76-RIR-1030-S				61.0						
		12"	2-1/2"		Durastan				6000	15-1/2"	2-76-DUR-1225-S	2-76-RIT-1225-S	2-76-RIT-1225-S	4-1/8"	44.5
					Rubber on Iron				1800		2-76-RIR-1225-S				55.5
Urethane on Iron	5400			2-76-UJR-1225-S	76.2										
12"	3"	Cast Iron	7000	15-1/2"	2-76-CIR-1230-S	2-76-RAB-1230-S	2-76-RAT-1230-S	4-1/8"	88.0						
		Durastan	7000		2-76-DUR-1230-S				34.0						
		Rubber on Aluminum	3420		2-76-RIR-1230-S-EHT				88.0						
		Rubber on Iron-EHT	3420		2-76-UTR-1230-S				88.0						
		Ultra Thick Urethane	7000		2-76-UJR-1230-S				101.0						
		Urethane on Iron	6800		2-76-RIR-1230-S				88.0						
		Rubber on Iron	2280		2-76-RIR-1230-S				88.0						

OPTIONS	
CWB	Cam Wheel Brake
DSL	Demountable Swivel Lock
HT	High Temperature Lubrication
LT	Low Temperature Lubrication
SL	Swivel Lock
SR	Sealed Swivel Raceway
ZP	Zinc Plated

2-76 Series Casters

UP TO 7,000 POUND CAPACITY

To order a rigid caster, change the "S" to "R" in the model number. For example: "2-76-CIR-0630-R".
 To order rig only, omit the blue letters. For example: "2-76-0630-S".
 Dimensions shown are nominal. If precise dimensions are required, consult your RWM representative.
 For approximate weight of our rigid casters, deduct 5.4 pounds per item.

OPTIONAL MOUNTING PLATES			
Optional Top Plate Number	Mounting Plate	Bolt Hole Spacing	Bolt Size
90ST* 90RT	6" x 7"	4-5/8" x 5-1/2" slotted to 4-3/8" x 5-5/8"	1/2"
95ST* 95RT	6" x 7-1/2"	4-1/2" x 6" slotted to 4-1/8" x 6-1/8"	1/2"
75ST** 75RT**	4-1/2" x 6-1/2"	2-7/16" x 4-15/16" slotted to 3-3/8" x 5-1/4"	1/2"

* Add 1/8" to caster overall height when using this top plate.
 ** Deduct 1/16" from caster overall height when using this top plate.

2-85 Series Casters

Kingpinless™ Dual Wheel Casters



2-85-UIR-0830-S

FEATURES	
Raceway Design	Patented Kingpinless™ single ball bearing precision machined raceway hardened to 53 Rockwell C minimum. 4-1/4" diameter raceway with 5/8" ball bearings.
Axle	3/4" bolt and nut for 3" wide, 1" or 1-1/4" bolt and nut for 4" wide, 1-1/4" bolt and nut for 5" wide.
Finish	Laguna Blue paint
Wheels	3" wide wheels are available with either a 1" roller bearing that rotates on 3/4" x 1" x 3-9/16" hardened and ground spanner bushings or 3/4" tapered bearings that rotate on a 3/4" axle. 4" and 5" wheels are available with either a 1-1/4" I.D. roller bearing which rotates on hardened and ground spanner bushings or 1-1/4" tapered bearings which rotate on the axle. All wheels are equipped with lubrication fitting.
Mounting Plate Size	6" x 7"
Bolt Hole Spacing	4-5/8" x 5-1/2", slotted to 4-3/8" to 5-5/8"
Mounting Bolt Diameter	1/2"
Leg Thickness	3/8" double welded
Mounting Plate Thickness	1/2"

SPECIFICATIONS

Wheel Diameter	Wheel Width	Wheel Type	lbs. Capacity	Overall Height	Swivel Caster Model Number			Swivel Lead	Approx Weight lbs.
					Straight Roller Bearing	Ball Bearing	Tapered Roller Bearing		
6"	3"	Cast Iron	6000	8-1/2"	2-85-CIR-0630-S			1-9/16"	39.0
		Durastan	4000		2-85-DUR-0630-S				24.0
		Forged Steel	10000		2-85-FSR-0630-S				55.0
		Solid Urethane	3300		2-85-SUR-0630-S	2-85-SUB-0630-S			24.0
		Urethane on Iron	4000		2-85-UIR-0630-S		2-85-UIT-0630-S		33.0
8"	3"	Cast Iron	6000	10-1/2"	2-85-CIR-0830-S			2"	49.0
		Durastan	5000		2-85-DUR-0830-S				28.0
		Forged Steel	10000		2-85-FSR-0830-S				56.0
		Omega	3200		2-85-UOR-0830-S		2-85-CIT-0830-S		52.0
		Rubber on Iron-EHT	2520		2-85-RIR-0830-S-EHT		2-85-FST-0830-S		50.0
		Solid Urethane	3300		2-85-SUR-0830-S	2-85-SUB-0830-S	2-85-UOT-0830-S		28.0
		Urethane on Iron	5000		2-85-UIR-0830-S		2-85-RIT-0830-S-EHT		52.0
		Rubber On Iron	1680		2-85-RIR-0830-S		2-85-UIT-0830-S		50.0
8"	4"	Cast Iron	8000	10-1/2"	2-85-CIR-0840-S			2"	68.0
		Forged Steel	10000		2-85-FSR-0840-S				88.0
		Urethane on Iron	7000		2-85-UIR-0840-S		2-85-CIT-0840-S		64.0
10"	3"	Cast Iron	8000	12-1/2"	2-85-CIR-1030-S			2-1/2"	74.0
		Durastan	5800		2-85-DUR-1030-S				31.0
		Forged Steel	10000		2-85-FSR-1030-S				76.0
		GT	6800		2-85-GTB-1030-S	2-85-FST-1030-S			45.0
		Omega	4000		2-85-UOR-1030-S		2-85-UOT-1030-S		61.0
		Rubber on Aluminum	3000		2-85-RIR-1030-S-EHT	2-85-RAB-1030-S	2-85-RAT-1030-S		61.0
		Rubber on Iron-EHT	3000		2-85-SUR-1030-S-EHT	2-85-SUB-1030-S	2-85-RIT-1030-S-EHT		54.0
		Solid Urethane	4000		2-85-SUR-1030-S				31.0
		Ultra Thick Urethane	6800		2-85-UTR-1030-S		2-85-UTT-1030-S		64.0
		Urethane on Iron	6000		2-85-UIR-1030-S		2-85-UIT-1030-S		61.0
Rubber On Iron	2000	2-85-RIR-1030-S		2-85-RIT-1030-S	54.0				
10"	4"	Cast Iron	10000	12-1/2"	2-85-CIR-1040-S			2-1/2"	116.0
		Forged Steel	10000		2-85-FSR-1040-S				110.0
		Ultra Thick Urethane	9000		2-85-UTR-1040-S				76.0
		Urethane on Iron	8400		2-85-UIR-1040-S		2-85-CIT-1040-S		76.0
12"	3"	Cast Iron	10000	15-1/2"	2-85-CIR-1230-S			3-3/8"	83.0
		Durastan	7000		2-85-DUR-1230-S				34.0
		Rubber on Aluminum	3420		2-85-RIR-1230-S-EHT	2-85-RAB-1230-S	2-85-RAT-1230-S		88.0
		Rubber on Iron-EHT	3420		2-85-SUR-1230-S-EHT		2-85-RIT-1230-S-EHT		83.0
		Ultra Thick Urethane	8200		2-85-UTR-1230-S		2-85-UTT-1230-S		101.0
		Urethane on Iron	6800		2-85-UIR-1230-S		2-85-UIT-1230-S		88.0
		Rubber On Iron	2280		2-85-RIR-1230-S		2-85-RIT-1230-S		83.0
12"	4"	Ultra Thick Urethane	10000	15-1/2"	2-85-UTR-1240-S			3-3/8"	106.0
		Urethane on Iron	9600		2-85-UIR-1240-S		2-85-UIT-1240-S		96.0
12"	5"	Ultra Thick Urethane	10000	15-1/2"	2-85-UTR-1250-S			3-3/8"	155.0
		Urethane on Iron	10000		2-85-UIR-1250-S		2-85-UIT-1250-S		155.0
12"	6"	Urethane on Iron	10000	15-1/2"	2-85-UIR-1260-S			3-3/8"	180.0
14"	3"	Ultra Thick Urethane	8600	16-1/2"	2-85-UTR-1430-S			3-13/16"	126.0
		Urethane on Iron	10000		2-85-UIR-1430-S		2-85-UIT-1430-S		126.0
14"	4"	Ultra Thick Urethane	10000	16-1/2"	2-85-UTR-1440-S			3-13/16"	156.0
		Urethane on Iron	10000		2-85-UIR-1440-S		2-85-UIT-1440-S		156.0
14"	5"	Ultra Thick Urethane	10000	16-1/2"	2-85-UTR-1450-S			3-13/16"	170.0
		Urethane on Iron	10000		2-85-UIR-1450-S		2-85-UIT-1450-S		170.0
14"	6"	Urethane on Iron	10000	16-1/2"	2-85-UIR-1460-S			3-13/16"	178.0
16"	3"	Durastan	8000	18-1/2"	2-85-DUR-1630-S			4"	89.0
		Ultra Thick Urethane	9200		2-85-UTR-1630-S				94.0
		Urethane on Iron	9200		2-85-UIR-1630-S		2-85-UIT-1630-S		115.0
16"	4"	Ultra Thick Urethane	10000	18-1/2"	2-85-UTR-1640-S			4"	165.0
		Urethane on Iron	10000		2-85-UIR-1640-S		2-85-UIT-1640-S		165.0
16"	5"	Ultra Thick Urethane	10000	18-1/2"	2-85-UTR-1650-S			4"	205.0
		Urethane on Iron	10000		2-85-UIR-1650-S		2-85-UIT-1650-S		185.0

OPTIONS

CWB	Cam Wheel Brake
DSL	Demountable Swivel Lock*
HDSL	Heavy Duty Demountable Swivel Lock
HT	High Temperature Lubrication
LT	Low Temperature Lubrication
NY	Notched Yoke
PCWB	Poly Cam Wheel Brake
SL	Swivel Lock
SR	Sealed Raceways
WS	Wheel Seals
ZP	Zinc Plating

*When ordering the Demountable Swivel Lock (DSL), you must also order the Notched Yoke (NY).

OPTIONAL MOUNTING PLATES

Optional Top Plate Number	Mounting Plate	Bolt Hole Spacing	Bolt Size
9SST 9SRT	6" x 7-1/2"	4-1/2" x 6" slotted to 4-1/8" x 6-1/8"	1/2"
LLST LLRT	8-1/2" x 11"	7" x 9-3/4"	5/8"
LMST LMRT	8-1/2" x 8-1/2"	7" x 7"	5/8"

To order a rigid caster, change the "S" to "R" in the model number. For example: "2-85-CIR-1040-R". To order rig only, omit the blue letters. For example: "2-85-1040-S". Dimensions shown are nominal. If precise dimensions are required, consult your RWM representative. For approximate weight of our rigid casters, deduct 5.4 pounds per item.

2-85 Series Casters
2-95 Series Casters

UP TO 10,000 POUND CAPACITY

FEATURES	
Single Ball Raceway	4-1/2" diameter with 3/4" diameter carbon steel balls. Precision machined and hardened to 53 Rockwell C minimum. Load and thrust are accommodated by our patented design. Sealed raceway is standard.
Axle	3/4" bolt and nut for 3" wide, 1" or 1-1/4" bolt and nut for 4" wide, 1-1/4" bolt and nut for 5" wide.
Finish	Laguna Blue paint
Wheels	3" wide wheels are available with either a 1" roller bearing that rotates on 3/4" x 1" x 3-9/16" hardened and ground spanner bushings or 3/4" tapered bearings that rotate on a 3/4" axle. 4" and 5" wheels are available with either a 1-1/4" I.D. roller bearings which rotate on a hardened and ground spanner bushing or 1-1/4" tapered bearings which rotate on the axle. All wheels are equipped with lubrication fitting.
Mounting Plate Size	6-1/4" x 7-1/2" x 1/2" swivel top plate, 6" x 7-1/2" x 1/2" rigid top plate
Bolt Hole Spacing	4-1/2" x 6", slotted to 4-1/8" x 6-1/8"
Mounting Bolt Diameter	1/2"
Leg Thickness	3/8" thick
Mounting Plate Thickness	1/2"



2-95-UIR-0830-S

SPECIFICATIONS

Wheel Diameter	Wheel Width	Wheel Type	Capacity lbs.	Overall Height	Swivel Caster Model Number			Swivel Lead	Approx Weight lbs.
					Straight Roller Bearing	Ball Bearing	Tapered Roller Bearing		
6"	3"	Cast Iron	6000	8-3/4"	2-95-CIR-0630-S	2-95-SUB-0630-S	2-95-CIT-0630-S	1-9/16"	39.0
		Durastan	4000		2-95-DUR-0630-S		24.0		
		Forged Steel	14300		2-95-FSR-0630-S		55.0		
		Solid Urethane	3300		2-95-UOR-0630-S		24.0		
		Urethane on Iron	4000		2-95-UIR-0630-S		33.0		
8"	3"	Cast Iron	6000	10-3/4"	2-95-CIR-0830-S	2-95-SUB-0830-S	2-95-CIT-0830-S	2-1/16"	49.0
		Durastan	5000		2-95-DUR-0830-S		28.0		
		Forged Steel	11000		2-95-FSR-0830-S		56.0		
		Omega	3200		2-95-UOR-0830-S		52.0		
		Rubber on Iron-EHT	2520		2-95-RIR-0830-S-EHT		50.0		
		Solid Urethane	3300		2-95-SUR-0830-S		28.0		
		Urethane on Iron	5000		2-95-UIR-0830-S		52.0		
		Rubber on Iron	1680		2-95-RIR-0830-S		50.0		
8"	4"	Cast Iron	8000	10-3/4"	2-95-CIR-0840-S		2-95-CIT-0840-S	2-1/16"	68.0
		Forged Steel	20000		2-95-FSR-0840-S		88.0		
		Urethane on Iron	7000		2-95-UIR-0840-S		64.0		
10"	3"	Cast Iron	8000	12-3/4"	2-95-CIR-1030-S	2-95-GTB-1030-S	2-95-CIT-1030-S	2-9/16"	74.0
		Durastan	5800		2-95-DUR-1030-S		31.0		
		Forged Steel	12000		2-95-FSR-1030-S		76.0		
		GT	6800		2-95-UOR-1030-S		45.0		
		Omega	4000		2-95-RAB-1030-S		61.0		
		Rubber on Aluminum	3000		2-95-RAT-1030-S		61.0		
		Rubber on Iron-EHT	3000		2-95-RIT-1030-S-EHT		54.0		
		Solid Urethane	4000		2-95-SUR-1030-S		31.0		
		Ultra Thick Urethane	6800		2-95-UTR-1030-S		64.0		
		Urethane on Iron	6000		2-95-UIR-1030-S		61.0		
10"	4"	Cast Iron	10000	12-3/4"	2-95-CIR-1040-S		2-95-CIT-1040-S	2-9/16"	116.0
		Forged Steel	10000		2-95-FSR-1040-S		110.0		
		Forged Steel	20000		2-95-FST-1040-S		110.0		
		Rubber on Iron	3420		2-95-RIT-1040-S		72.0		
		Ultra Thick Urethane	9000		2-95-UIT-1040-S		76.0		
12"	3"	Cast Iron	10000	15-1/2"	2-95-CIR-1230-S	2-95-RAB-1230-S	2-95-CIT-1230-S	3-7/16"	83.0
		Durastan	7000		2-95-DUR-1230-S		34.0		
		Rubber on Aluminum	3420		2-95-RAT-1230-S		88.0		
		Rubber on Iron-EHT	3420		2-95-RIT-1230-S-EHT		83.0		
		Ultra Thick Urethane	8200		2-95-UTR-1230-S		101.0		
		Urethane on Iron	6000		2-95-UIR-1230-S		88.0		
		Rubber on Iron	2280		2-95-RIR-1230-S		83.0		
		12"	4"		Ultra Thick Urethane		10600		15-1/2"
Urethane on Iron	9600			2-95-UIR-1240-S	96.0				
12"	5"	Ultra Thick Urethane	13000	15-1/2"	2-95-UTR-1250-S		2-95-UIT-1250-S	3-7/16"	155.0
		Urethane on Iron	12000		2-95-UIR-1250-S		155.0		
12"	6"	Urethane on Iron	15000	15-1/2"	2-95-UIR-1260-S		2-95-UIT-1260-S	3-7/16"	180.0
14"	3"	Ultra Thick Urethane	9600	18"	2-95-UTR-1430-S		2-95-UIT-1430-S	3-7/8"	126.0
		Urethane on Iron	12400		2-95-UIR-1440-S		156.0		
14"	4"	Ultra Thick Urethane	12400	18"	2-95-UTR-1440-S		2-95-UIT-1440-S	3-7/8"	156.0
		Urethane on Iron	15200		2-95-UIR-1450-S		170.0		
14"	5"	Ultra Thick Urethane	15200	18"	2-95-UTR-1450-S		2-95-UIT-1450-S	3-7/8"	170.0
		Urethane on Iron	18000		2-95-UIR-1460-S		178.0		
16"	3"	Durastan	8000	19"	2-95-DUR-1630-S		2-95-UIT-1630-S	4-1/8"	89.0
		Ultra Thick Urethane	10800		2-95-UTR-1630-S		94.0		
		Urethane on Iron	9200		2-95-UIR-1630-S		115.0		
16"	4"	Ultra Thick Urethane	14200	19"	2-95-UTR-1640-S		2-95-UIT-1640-S	4-1/8"	165.0
		Urethane on Iron	12000		2-95-UIR-1640-S		165.0		
16"	5"	Ultra Thick Urethane	17600	19"	2-95-UTR-1650-S		2-95-UIT-1650-S	4-1/8"	205.0
		Urethane on Iron	16800		2-95-UIR-1650-S		185.0		

OPTIONS

CWB	Cam Wheel Brake
DSL	Demountable Swivel Lock*
HDSL	Heavy Duty Demountable Swivel Lock
HT	High Temperature Lubrication
LT	Low Temperature Lubrication
PCWB	Poly Cam Wheel Brake
NY	Notched Yoke Base
SL	Swivel Lock
WS	Wheel Seals (Contact RWM)
ZP	Zinc Plated

*When ordering the Demountable Swivel Lock (DSL), you must also order the Notched Yoke (NY).

To order a rigid caster, change the "S" to "R" in the model number. For example: "2-95-DUR-0830-R".

To order rig only, omit the blue letters. For example: "2-95-0830-S".

Dimensions shown are nominal. If precise dimensions are required, consult your RWM representative. For approximate weight of our rigid casters, deduct 5.4 pounds per item.

2-95 Series Casters

UP TO 20,000 POUND CAPACITY

2-125 Series Casters

Kingpinless™ Dual Wheel Casters



2-125-CIT-1260-S

FEATURES	
Raceway Design	Patented Kingpinless™ single ball bearing precision machined raceway hardened to 53 Rockwell C. minimum. 7" diameter raceway with 3/4" diameter ball bearings.
Axle	1-1/4" bolt with rotation prevent lug on leg and slotted nut adjustment
Finish	Laguna Blue paint
Wheels	Wheels are either 4", 5" or 6" wide depending upon diameter and wheel type. Roller bearing wheels are equipped with a bearing which rotates on hardened and ground spanners. Tapered bearing wheels have a 1-1/4" I.D. tapered bearing which rotate directly on a 1-1/4" axle. All wheels have lubrication fittings.
Mounting Plate Size	8-1/2" x 8-1/2" x 1/2"
Bolt Hole Spacing	7" x 7"
Mounting Bolt Diameter	5/8"
Leg Thickness	1/2" thick including the center leg

2-125 Series Casters
SA Series Casters

UP TO 40,000 POUND CAPACITY

SPECIFICATIONS								
Wheel Diameter	Wheel Width	Wheel Type	Capacity lbs.	Overall Height	Swivel Caster Model Number		Swivel Lead	Approx Weight lbs.
					Straight Roller Bearing	Tapered Roller Bearing		
8"	4"	Cast Iron	8000	11-1/2"	2-125-CIR-0840-S	2-125-CIT-0840-S	2-1/8"	70.0
		Forged Steel	20000		2-125-FSR-0840-S			86.0
		Forged Steel	40000			2-125-FST-0840-S		86.0
		Urethane on Iron	7000		2-125-UIR-0840-S	2-125-UIT-0840-S		62.0
10"	4"	Cast Iron	10000	13-1/2"	2-125-CIR-1040-S	2-125-CIT-1040-S	2-1/2"	90.0
		Forged Steel	20000		2-125-FSR-1040-S			100.0
		Forged Steel	40000			2-125-FST-1040-S		100.0
		Ultra Thick Urethane	9000		2-125-UTR-1040-S	2-125-UTT-1040-S		95.0
		Urethane on Iron	8400		2-125-UIR-1040-S	2-125-UIT-1040-S		75.0
10"	5"	Cast Iron	12000	13-1/2"	2-125-CIR-1050-S	2-125-CIT-1050-S	2-1/2"	95.0
		Urethane on Iron	10000		2-125-UIR-1050-S	2-125-UIT-1050-S		115.0
12"	4"	Ultra Thick Urethane	10600	15-1/2"	2-125-UTR-1240-S	2-125-UTT-1240-S	2-7/8"	90.0
		Urethane on Iron	9600		2-125-UIR-1240-S	2-125-UIT-1240-S		78.0
12"	5"	Ultra Thick Urethane	13000	15-1/2"	2-125-UTR-1250-S	2-125-UTT-1250-S	2-7/8"	100.0
		Urethane on Iron	12000		2-125-UIR-1250-S	2-125-UIT-1250-S		90.0
12"	6"	Cast Iron	20000	15-1/2"	2-125-CIR-1260-S	2-125-CIT-1260-S	2-7/8"	130.0
		Urethane on Iron	15000		2-125-UIR-1260-S	2-125-UIT-1260-S		95.0
14"	4"	Ultra Thick Urethane	12400	18-1/2"	2-125-UTR-1440-S	2-125-UTT-1440-S	3-3/8"	120.0
		Urethane on Iron	15200		2-125-UIR-1440-S	2-125-UIT-1440-S		150.0
14"	5"	Ultra Thick Urethane	15200	18-1/2"	2-125-UTR-1450-S	2-125-UTT-1450-S	3-3/8"	150.0
		Urethane on Iron	18000		2-125-UIR-1450-S	2-125-UIT-1450-S		170.0
14"	6"	Urethane on Iron	18000	18-1/2"	2-125-UIR-1460-S	2-125-UIT-1460-S	3-3/8"	170.0
16"	4"	Ultra Thick Urethane	14200	19-1/2"	2-125-UTR-1640-S	2-125-UTT-1640-S	3-9/16"	130.0
		Urethane on Iron	12000		2-125-UIR-1640-S	2-125-UIT-1640-S		130.0
16"	5"	Ultra Thick Urethane	17600	19-1/2"	2-125-UTR-1650-S	2-125-UTT-1650-S	3-9/16"	210.0
		Urethane on Iron	16800		2-125-UIR-1650-S	2-125-UIT-1650-S		200.0
18"	5"	Urethane on Iron	17200	22"	2-125-UIR-1850-S	2-125-UIT-1850-S	4-3/8"	270.0
20"	5"	Urethane on Iron	18000	23-1/2"	2-125-UIR-2050-S	2-125-UIT-2050-S	4-5/16"	280.0

OPTIONS	
DSL	Demountable Swivel Lock*
HDSL	Heavy-Duty Threaded Swivel Lock
HT	High Temperature Lubrication
LT	Low Temperature Lubrication
NY	Notched Yoke Base
PCWB	Poly Cam Wheel Brake
SL	Swivel Lock
SR	Sealed Swivel Raceway
WS	Wheel Seals
ZP	Zinc Plated

*When ordering the Demountable Swivel Lock (DSL), you must also order the Notched Yoke (NY).

To order a rigid caster, change the "S" to "R" in the model number. For example: "2-125-CIR-0840-R".
To order rig only, omit the blue letters. For example: "2-125-0840-S".
Dimensions shown are nominal. If precise dimensions are required, consult your RWM representative.
For approximate weight of our rigid casters, deduct 5.4 pounds per item.

OPTIONAL MOUNTING PLATES			
Optional Top Plate Number	Mounting Plate	Bolt Hole Spacing	Bolt Size
LLST LLRT	8-1/2" X 11"	7" x 9-3/4"	5/8"

Contact factory for specialty top plates or applications.

- Reduce stress on wheels and rigs due to shock from rough surfaces
- Dampen and isolate shocks and vibration from rough surfaces to protect cargo or contents in a cart or equipment
- Reduce noise caused by casters traveling over rough surfaces
- Equalize the load over uneven terrain among four or more casters, thereby reducing overloads on casters and twisting of the cart/frame



75-DUR-0825-S-VMS-500

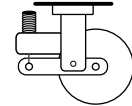
SPECIFICATIONS

Wheel Diameter	Wheel Width	Wheel Type	Swivel Series	Overall Height @ 1/2 Deflection	Swivel Lead	Swivel Radius	Deflection Range*	Caster Load Rating Availability (Min-Max)**	Approx. Weight lbs.	Swivel Caster Model Number**
----------------	-------------	------------	---------------	------------------------------------	-------------	---------------	-------------------	--	------------------------	------------------------------

VMS SA CASTER

Vertical Mount Spring

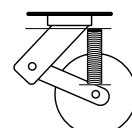
6"	2"	Phenolic Rubber/Iron Urethane	44	8-1/8"	1-3/4"	4-3/4"	7/8"	200-800	9.0	44-DUR-0620-S-VMS
							1"	200-400	11.0	44-RIR-0620-S-VMS
							1"	200-800	11.1	44-UIR-0620-S-VMS
8"	2"	Phenolic Rubber/Iron Urethane	44	10"	2-1/8"	6-1/8"	15/16"	200-1000	10.0	44-DUR-0820-S-VMS
							1"	200-500	12.0	44-RIR-0820-S-VMS
							1"	200-1000	12.0	44-UIR-0820-S-VMS
8"	2"	Phenolic Rubber/Iron Urethane	65	11"	2-1/8"	6-1/8"	1-1/4"	500-1000-1400	12.0	65-DUR-0820-S-VMS
					2-1/4"	6-1/2"		500	13.0	65-RIR-0820-S-VMS
					2-1/4"	6-1/2"		500-1000-1500	13.0	65-UIR-0820-S-VMS
8"	2-1/2"	Phenolic Rubber/Iron Urethane	75	11"	2-1/4"	6-1/2"	1-1/4"	500-1000-1500	13.5	75-DUR-0825-S-VMS
								500-670	15.0	75-RIR-0825-S-VMS
								500-1000-1500	15.0	75-UIR-0825-S-VMS
8"	2-1/2"	Phenolic Rubber/Iron Urethane	2-75	11"	2"	7-1/8"	1-1/4"	1000-2000-3000	27.0	2-75-DUR-0825-S-VMS
					2-1/4"			1000-1340	30.0	2-75-RIR-0825-S-VMS
					2-1/4"			1000-2000-3000	30.0	2-75-UIR-0825-S-VMS
10"	2-1/2"	Phenolic Rubber/Iron Urethane	75	13"	2-3/4"	8"	1-1/4"	500-1000-1050	15.0	75-DUR-1025-S-VMS
								500-790	20.0	75-RIR-1025-S-VMS
								500-1000-1500	20.0	75-UIR-1025-S-VMS
10"	2-1/2"	Phenolic Rubber/Iron Urethane	2-75	13"	2-3/4"	8"	1-1/4"	1000-2000-3000	30.0	2-75-DUR-1025-S-VMS
								1000-1500	40.0	2-75-RIR-1025-S-VMS
								1000-2000-3000	40.0	2-75-UIR-1025-S-VMS
10"	3"	Phenolic Rubber/Iron Urethane	2-75	13"	2-3/4"	8-5/8"	1-1/4"	1000-2000-3000	38.0	2-75-DUR-1030-S-VMS
								1000-2000	48.0	2-75-RIR-1030-S-VMS
								1000-2000-3000	48.0	2-75-UIR-1030-S-VMS



OMS SA CASTER

Outside Mount Spring

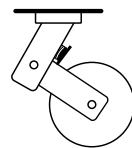
12"	4"	Urethane Urethane Thick	2-125	21"	5-1/2"	12-3/4"	2-1/2"	4800-9600	290.0	2-125-UIT-1240-S-OMS
								4800-9600	290.0	2-125-UIT-1240-S-OMS
12"	5"	Urethane Urethane Thick	125	21"	5-1/2"	12"	2-1/2"	3250-6000	100.0	125-UIT-1250-S-OMS
								3250-6500	180.0	125-UIT-1650-S-OMS
16"	5"	Urethane Urethane Thick	125	23"	5-1/2"	14"	2-1/2"	3250-6500	180.0	125-UIT-1650-S-OMS
								3250-6500	180.0	125-UIT-1650-S-OMS
16"	5"	Urethane Urethane Thick	2-125	23"	5-1/2"	15"	2-1/2"	6500-13000	400.0	2-125-UIT-1650-S-OMS
								6500-13000	400.0	2-125-UIT-1650-S-OMS
18"	5"	Urethane Urethane Thick	2-125	25"	5-1/2"	16"	2-1/4"	8000-16000	570.0	2-125-UIT-1850-S-OMS
								8000-16000	570.0	2-125-UIT-1850-S-OMS
20"	5"	Urethane Iron	2-125	25-5/8"	5-7/8"	18-5/8"	1-1/2"	10000-20000	925.0	2-125-UIT-2050-S-OMS



IMS SA CASTER

Inside Mount Spring

4"	2"	Phenolic Rubber/Iron Urethane	65	7-1/4"	2"	4-1/8"	1-1/16"	100-200-250	10.0	65-DUR-0420-S-IMS
								100-200-250	10.0	65-RIR-0420-S-IMS
								100-200-250	10.0	65-UIR-0420-S-IMS
4"	2-1/2"	Urethane Urethane	65	7-1/4"	2"	4-1/4"	1-1/16"	100-200-250	10.0	65-UIB-0425-S-IMS
								500-1000-1500-2000	13.5	75-DUR-0825-S-IMS
								670	15.0	75-RIR-0825-S-IMS
8"	2-1/2"	Phenolic Rubber/Iron Urethane	75	11"	4-1/2"	8-3/4"	1-1/2"	1000-1500-2000	20.0	75-UIR-0825-S-IMS
								1000-1500-2000	15.0	75-DUR-0830-S-IMS
								840	17.0	75-RIR-0830-S-IMS
8"	3"	Phenolic Rubber/Iron Urethane Urethane Thick	75	11"	4-1/2"	8-3/4"	1-1/2"	1000-1500-2000	27.0	75-UIT-0830-S-IMS
								1000-1500-2000	17.0	75-UTR-0830-S-IMS
								2000-3000	35.0	2-85-DUR-0830-S-IMS
8"	3"	Phenolic Rubber/Iron Urethane Urethane Thick	2-85	11-1/2"	4-1/2"	9-3/8"	1-1/2"	1680	45.0	2-85-RIR-0830-S-IMS
								2000-3000	45.0	2-85-UIT-0830-S-IMS
								2000-3000	45.0	2-85-UIT-0830-S-IMS
10"	2-1/2"	Phenolic Rubber/Iron Urethane	75	13"	4-1/2"	9-3/4"	1-1/2"	1100-1650-2200	15.0	75-DUR-1025-S-IMS
								790	20.0	75-RIR-1025-S-IMS
								1100-1650-2200	49.0	75-UIR-1025-S-IMS
10"	3"	Phenolic Rubber/Iron Urethane Urethane Thick	75	13"	4-1/2"	9-3/4"	1"	1100-1650-2200	18.0	75-DUR-1030-S-IMS
								1000	40.0	75-RIR-1030-S-IMS
								1100-1650-2200	23.0	75-UIT-1030-S-IMS
10"	3"	Phenolic Rubber/Iron Urethane Urethane Thick	2-85	13-1/2"	4-1/2"	10-1/4"	1-1/2"	2200-3300-4400	42.0	2-85-DUR-1030-S-IMS
								2000	52.0	2-85-RIR-1030-S-IMS
								2200-3300-4400	52.0	2-85-UIT-1030-S-IMS
10"	5"	Urethane Urethane	125	15-1/2"	4-1/2"	10"	1-3/4"	2200-3300	52.0	2-85-UIT-1030-S-IMS
								2200-3300	80.0	125-UIT-1050-S-IMS
								1100-2200-3300	26.0	75-DUR-1230-S-IMS
12"	3"	Phenolic Rubber/Iron Urethane Urethane Thick	75	16"	5-1/2"	11-3/4"	1-3/4"	1100	31.0	75-RIR-1230-S-IMS
								1100-2200-3300	47.0	75-UIT-1230-S-IMS
								1100-2200-3300	53.0	75-UIT-1230-S-IMS
12"	3"	Phenolic Rubber/Iron Urethane Urethane Thick	2-85	16-1/2"	5-1/2"	12-1/4"	1"	2200-4400-6600	60.0	2-85-DUR-1230-S-IMS
								2200	65.0	2-85-RIR-1230-S-IMS
								2200-4400-6600	102.0	2-85-UIT-1230-S-IMS
12"	5"	Urethane Urethane	125	16-1/2"	5-1/2"	12"	2"	2200-4400-6600	116.0	2-85-UIT-1230-S-IMS
								2200-3300	290.0	125-UIT-1250-S-IMS



OPTIONS

- CWB** Cam Wheel Brake
- DSL** Demountable Swivel Lock*
- HDSL** Heavy-Duty Threaded Swivel Lock
- NY** Notched Yoke Base
- PCWB** Poly Cam Wheel Brake
- SL** Swivel Lock
- SR** Sealed Swivel Raceway
- ZP** Zinc Plated

* Half deflection at specified overall height and caster load rating.

** When placing an order, add the capacity to the end of the model number. Example: 65-DUR-0820-S-VMS-1000

† Often called working height. Add 1/2 of total deflection range to obtain height at no load. Example: 75-DUR-0825-S-VMS-500.

11" overall height plus 5/8" equals 11-5/8" height at no load. All dimensions are nominal. Contact RWM representative for exact information.

*When ordering the Demountable Swivel Lock (DSL), also order the Notched Yoke (NY).

Contact factory for pricing, specialty top plates or applications.

Full Pneumatic Casters

RAPIDSTOCK



76-FNR-1648-S-FCWB

FEATURES

46 SERIES

Swivel Section - Cold forged top plate, yoke and button are all heat treated to prevent brinelling, improve swivel action and increase service life. Load and thrust bearings are hardened and ground and rotate on hardened raceways. All swivel sections are equipped with a lubrication fitting for field maintenance. Notched yokes are standard.

65 SERIES

Raceway Design - Patented Kingpinless™ single ball bearing precision machined raceway, to 53 Rockwell C minimum, lube fittings for swivel bearings and for wheel bearings. Swivel section features a 2-3/8" diameter raceway with 3/8" ball bearings. Notched yokes are standard.

76 SERIES

Raceway Design - Patented Kingpinless™ single ball bearing precision machined raceway hardened to 53 Rockwell C minimum. Swivel section features a 3" diameter raceway with 1/2" ball bearings. Lube fittings for swivel bearings and wheel bearings. Notched yokes are standard.

95 SERIES

Raceway Design - 4-1/2" diameter raceway with 3/4" diameter carbon steel balls. Precision machined and hardened to 53 Rockwell C minimum. Load and thrust are accommodated by our patented Kingpinless™ design. Sealed raceway is standard. Swivel Top Plate - SAE 1045 hot steel forging. Swivel Yoke Base - SAE 1045 hot steel forging.

125 SERIES

Raceway Design - Patented Kingpinless™ single ball bearing precision machined raceway hardened to 53 Rockwell C minimum. 7" diameter raceway with 3/4" diameter ball bearings.

SPECIFICATIONS

Wheel Diameter	Wheel Width	Wheel Type	Capacity lbs.	Overall Height	Swivel Caster Model Number			Swivel Lead	Approx Weight lbs.	
					Straight Roller Bearing	Ball Bearing	Tapered Roller Bearing			
8"	2.80/4"	FN Pneumatic	300	11"	46-FNR-0828-S	46-FNB-0828-S		2-5/8"	9.5	
			300		65-FNR-0828-S	65-FNB-0828-S			13.0	
			600		2-65-FNR-0828-S	2-65-FNB-0828-S			20.0	
10"	4.10/4"	FN Pneumatic	480	13"	46-FNR-1041-S	46-FNB-1041-S		3-1/4"	11.0	
			480		65-FNR-1041-S	65-FNB-1041-S	65-FNT-1041-S		14.5	
			960		2-65-FNR-1041-S	2-65-FNB-1041-S	2-65-FNT-1041-S		22.0	
12"	4.10/6"	FN Pneumatic	500	15-1/2"	46-FNR-1241-S	46-FNB-1241-S		3-1/2"	14.5	
			500		65-FNR-1241-S	65-FNB-1241-S	65-FNT-1241-S		15.0	
			1000		2-76-FNR-1241-S	2-76-FNB-1241-S	2-76-FNT-1241-S		35.0	
14"	5.30/6"	FN Pneumatic	870	17-3/4"	76-FNR-1448-S	76-FNB-1448-S		4-1/2"	28.0	
			1740		2-76-FNR-1448-S	2-76-FNB-1448-S	2-76-FNT-1448-S		41.0	
					76-FNR-1648-S		76-FNT-1648-S		4-1/2"	35.0
16"	4.80/8"	FN Pneumatic	1000	19-1/8"				4-1/2"	45.0	
			1230				95-FNT-1648-S***		4"	45.0
			2000		2-76-FNR-1648-S		2-76-FNT-1648-S		4-1/2"	53.0
			2460				2-95-FNT-1648-S***		4"	45.0
18"	5.70/8"	FN Pneumatic	1170	21-1/4"	76-FNR-1857-S			5"	40.0	
			2340		2-76-FNR-1857-S		2-76-FNT-1857-S			60.0
			1560	21-1/2"	95-FNR-1857-S***			95-FNT-1857-S***	4-1/2"	55.0
			3120		2-95-FNR-1857-S***			2-95-FNT-1857-S***	4-1/2"	82.0
21"	6.90/9"	FN Pneumatic	2420	24-1/4"				5"	84.5	
			4840				125-FNT-2169-S****			130
23"	6.50/10"	FN Pneumatic	2775	26-1/4"				5"	87.0	
			5550				125-FNT-2365-S****			135.0
25"	7.50/10"	FN Pneumatic	3630	28-3/4"				5"	90.5	
			7260				125-FNT-2575-S****			140.0

OPTIONS

CWB	Cam Wheel Brake (for 8" & 10" wheel only)
DSL	Demountable Swivel Lock*
FCWB	Face Contact Wheel Brake For Larger Sizes
FF	Foam Fill Tire
HDLSL	Heavy-Duty Threaded Swivel Lock
NY	Notched Yoke
SL	Swivel Lock
SR	Sealed Swivel Raceway

*When ordering the Demountable Swivel Lock (DSL), you must also order the Notched Yoke (NY).

Full Pneumatic Casters
Econ. Full Pneumatic Casters & S27 Series

UP TO 7,260 POUND CAPACITY

To order a rigid caster, change the "S" to "R" in the model number. For example: "76-FNR-1857-R". To order rig only, omit the blue letters. For example: "76-1857-S". Dimensions shown are nominal. If precise dimensions are required, consult your RWM representative. For approximate weight of our rigid casters, deduct 9.6 pounds per item.

STANDARD MOUNTING PLATES

Series/Prefixed	Mounting Plate	Bolt Hole Spacing	Bolt Size
46 & 65	4" x 4-1/2"	2-5/8" x 3-5/8" slotted to 3" x 3"	3/8"
76	5-1/4" x 7-1/4"	3-3/8" x 5-1/4" slotted to 4-1/8" x 6-1/8"	1/2"
95	6-1/4" x 7-1/2" (swivel) 6" x 7-1/2" (rigid)	4-1/2" x 6" slotted to 4-1/8" x 6-1/8"	1/2"
125	8-1/2" x 8-1/2"	7" x 7"	5/8"

*Add 1/8" to caster overall height when using this top plate.
**Deduct 1/16" to caster overall height when using this top plate.
*** 6 ply
**** 10 ply
4 ply is standard

Maintain proper air pressure for best results. Capacity rating is for manual operation. For capacities of power moved loads, larger diameter or higher capacity wheels, please consult the factory.

OPTIONAL MOUNTING PLATES

Prefix/Top Plate Number	Mounting Plate	Bolt Hole Spacing	Bolt Size
46 & 65 SERIES			
41ST 41RT	4" x 5"	2-5/8" x 3-5/8" slotted to 3" x 4"	3/8"
42ST	4-1/2" x 6-1/2"	2-7/16" x 4-15/16" slotted to 3-3/8" x 5-1/4"	1/2"
43ST	5" x 5-1/2"	4-1/8" x 4-1/2"	3/8"
76 SERIES			
90ST* 90RT	6" x 7"	4-5/8" x 5-1/2" slotted to 4-3/8" x 5-5/8"	1/2"
95ST* 95RT	6" x 7-1/2"	4-1/2" x 6" slotted to 4-1/8" x 6-1/8"	1/2"
75ST**	4-1/2" x 6-1/2"	2-7/16" x 4-15/16" slotted to 3-3/8" x 5-1/4"	1/2"
125 SERIES			
LLST LLRT	8-1/2" x 11"	7" x 9-3/4"	5/8"

Cold forged top plate, yoke and button are heat treated for added service life. This caster is ideal for both indoor and outdoor applications where product protection is required. Pneumatic wheels offer maximum floor protection and move freely over obstructions and rough floors. The wheels provide smooth, shock-resistant operation for delicate instruments and breakable components. All swivel sections are equipped with a lubrication fitting for field maintenance. Ball bearings provide maximum rolling ease and quiet operation for medium to heavy duty loads.



46-FNB-1041-S-E

46-FNB-0828-S-E

Econ. Full Pneumatic Casters & S27 Series Full Pneumatic Casters

FEATURES	
Swivel Section	Double ball
Kingpin	5/8" rivet
Finish	Zinc plated
Wheels	8" and 10" pneumatic

SPECIFICATIONS							
Wheel Diameter	Wheel Width	Wheel Type	lbs. Capacity	Overall Height	Ball Bearing	Swivel Lead	lbs. Approx Weight
8"	2.80/4"	FN Pneumatic	300	9-3/4"	46-FNB-0828-S-E	2-1/8"	6.5
10"	4.10/4"	FN Pneumatic	350	12"	46-FNB-1041-S-E	2-11/16"	7.5

To order a rigid caster, change the "S" to "R" in the model number. For example, "46-FNB-0828-R-E".
 If precise dimensions are required, consult your RWM representative.
 For approximate weight of our rigid casters, deduct 0.8 pounds per item.

UP TO 350 POUND CAPACITY

S46 Stainless Steel Casters



Medium Heavy Duty Casters

All casters come standard with stainless steel: roller bearings, sealed bearings, precision ball bearings or celcon bearings, axles, spanners and spacers.



S46-HNR-0420-S

FEATURES	
Swivel Section	Cold forged top plate, yoke and button improves swivel action and increases service life. Heavy duty load and thrust bearings are ground and rotate on raceways. Top plate and legs are 1/4" steel, legs formed for increased strength and continuously welded to yoke. All swivel sections are equipped with a lubrication fitting for field maintenance. RWM lubricates all swivel sections prior to shipment. Notched yokes are standard.
Kingpin	5/8" diameter rivet hydraulically compressed to increase strength of swivel section as compared to staking
Axle	1/2" diameter drilled axle with lubrication fitting provided on casters to improve ease of lubrication where required (not required for ball bearing).
Mounting Plate Size	4" x 4-1/2" x 1/4"
Bolt Hole Spacing	2-5/8" x 3-5/8", slotted to 3" x 3"
Mounting Bolt Diameter	3/8"

SPECIFICATIONS

Wheel Diameter	Wheel Width	Wheel Type	lbs. Capacity	Overall Height	Swivel Caster Model Number			Swivel Lead	Approx. Weight lbs.
					Straight Roller Bearing	Ball Bearing	Plain, Oilite, Celcon Bearing		
4"	2"	Durastan	800	5-5/8"	S46-DUR-0420-S		S46-DUC-0420-S	1-3/8"	5.2
		GT	900			S46-GTB-0420-S	5.2		
		High Temp Nylon	800		S46-HNR-0420-S	S46-HNB-0420-S			5.2
		Performance TPR	350		S46-RPR-0420-S	S46-RPB-0420-S	S46-RPC-0420-S		5.3
		Polyolefin	500		S46-POR-0420-S		S46-POC-0420-S		4.8
		Signature	400		S46-SWR-0420-S	S46-SWB-0420-S	S46-SWC-0420-S		5.3
		Solid Urethane	500		S46-SUR-0420-S	S46-SUB-0420-S	S46-SUC-0420-S		5.2
		Urethane Polypropylene	600		S46-UPR-0420-S		S46-UPC-0420-S		5.3
5"	2"	Durastan	900	6-1/2"	S46-DUR-0520-S		S46-DUC-0520-S	1-11/16"	5.4
		GT	900			S46-GTB-0520-S	5.4		
		High Temp Nylon	900		S46-HNR-0520-S	S46-HNB-0520-S			5.4
		Performance TPR	375		S46-RPR-0520-S	S46-RPB-0520-S	S46-RPC-0520-S		5.3
		Polyolefin	650		S46-POR-0520-S		S46-POC-0520-S		4.6
		Signature	500		S46-SWR-0520-S	S46-SWB-0520-S	S46-SWC-0520-S		5.3
		Solid Urethane	900		S46-SUR-0520-S	S46-SUB-0520-S	S46-SUC-0520-S		5.4
		Urethane Polypropylene	750		S46-UPR-0520-S		S46-UPC-0520-S		5.3
6"	2"	Durastan	900	7-1/2"	S46-DUR-0620-S		S46-DUC-0620-S	1-3/4"	6.3
		GT	900			S46-GTB-0620-S	6.3		
		High Temp Nylon	900		S46-HNR-0620-S	S46-HNB-0620-S			6.3
		Performance TPR	525		S46-RPR-0620-S	S46-RPB-0620-S	S46-RPC-0620-S		5.7
		Polyolefin	700		S46-POR-0620-S		S46-POC-0620-S		5.0
		Signature	600		S46-SWR-0620-S	S46-SWB-0620-S	S46-SWC-0620-S		5.3
		Solid Urethane	900		S46-SUR-0620-S	S46-SUB-0620-S	S46-SUC-0620-S		6.3
		Urethane Polypropylene	900		S46-UPR-0620-S		S46-UPC-0620-S		5.7
8"	2"	Durastan	900	9-1/2"	S46-DUR-0820-S		S46-DUC-0820-S	2-1/4"	7.7
		GT	900			S46-GTB-0820-S	7.7		
		Performance TPR	600		S46-RPR-0820-S	S46-RPB-0820-S	S46-RPC-0820-S		7.1
		Polyolefin	800		S46-POR-0820-S		S46-POC-0820-S		5.8
		Signature	700		S46-SWR-0820-S	S46-SWB-0820-S	S46-SWC-0820-S		5.3
		Solid Urethane	1050		S46-SUR-0820-S	S46-SUB-0820-S	S46-SUC-0820-S		7.7
		Urethane Polypropylene	900		S46-UPR-0820-S		S46-UPC-0820-S		7.7

OPTIONS

DSL	Demountable Swivel Lock
HT	High Temperature Lubrication
LT	Low Temperature Lubrication
SICWB	Stainless Installable Face Contact Brake*
WB	Stainless Side Wheel Brake

*Brake is all stainless except for tread lock spring and plastic pedal.



Available NSF Products:

All casters except those with cast iron, soft rubber, rubber on iron, rubber on aluminum, forged steel, urethane on aluminum, urethane on iron, or V-groove wheels. The following options are also not available: DSL, HT, LT, SL, WS. Add "-N" to the end of the model number to specify an NSF approved caster. For example:

To order a rigid caster, change the "S" to "R" in the model number. For example: "S46-DUR-0420-R". To order a rig only, omit the blue letters. For example: "S46-0420-S". Dimensions shown are nominal. If precise dimensions are required, consult your RWM representative. For approximate weight of our rigid casters, deduct 0.9 pounds per item.

OPTIONAL MOUNTING PLATES 8" ONLY

Optional Top Plate Number	Mounting Plate	Bolt Hole Spacing	Bolt Size
42ST 42RT	4-1/2" x 6-1/2"	2-7/16" x 4-15/16" slotted to 3-3/8" x 5-1/4"	1/2"

S46 Stainless Steel Casters
S65 Stainless Steel Casters

UP TO 900 POUND CAPACITY

FEATURES	
Raceway Design	Patented Kingpinless™ single ball bearing precision machined raceway. 2-3/8" diameter raceway with 3/8" stainless ball bearings.
Leg Thickness	3/16"
Axle	1/2" bolt with locking nut
Wheels	Wheels are available with either a straight roller bearing, an annular ball bearing for ease of rollability, or a celcon bearing.
Bolt Hole Spacing	2-5/8" x 3-5/8" slotted to 3" x 3"
Mounting Plate Size	4" x 4-1/2" x 1/4"
Mounting Bolt Diameter	3/8"



S65-SUB-0820-S-42ST

SPECIFICATIONS									
Wheel Diameter	Wheel Width	Wheel Type	lbs. Capacity	Overall Height	Swivel Caster Model Number			Swivel Lead	Approx Weight
					Straight Roller Bearing	Ball Bearing	Plain, Oilite, Celcon Bearing		
4"	2"	Durastan	800	5-5/8"	S65-DUR-0420-S	S65-DUB-0420-S	S65-DUC-0420-S	1-1/4"	8.0
		GT	1050		S65-HNR-0420-S	S65-GTB-0420-S			8.0
		High Temp. Nylon	800		S65-RPR-0420-S	S65-HNB-0420-S			8.0
		Performance TPR	350		S65-RAR-0420-S	S65-RPB-0420-S	S65-RPC-0420-S		7.3
		Polyolefin	500		S65-POR-0420-S	S65-POB-0420-S	S65-POC-0420-S		7.6
		Rubber on Aluminum	525		S65-SUR-0420-S	S65-SUB-0420-S	S65-RAC-0420-S		8.0
		Solid Urethane	500		S65-UAR-0420-S		S65-SUC-0420-S		8.0
		Urethane on Aluminum	700		S65-UIR-0420-S		S65-UAC-0420-S		7.5
		Urethane on Iron	700		S65-UPR-0420-S	S65-UIB-0420-S	S65-UIC-0420-S		8.0
		Urethane Polypropylene	600		S65-UPB-0420-S	S65-UPC-0420-S			7.3
5"	2"	Durastan	1000	6-1/2"	S65-DUR-0520-S	S65-DUB-0520-S	S65-DUC-0520-S	1-7/16"	9.0
		GT	1200		S65-HNR-0520-S	S65-GTB-0520-S			9.0
		High Temp Nylon	1000		S65-RPR-0520-S	S65-HNB-0520-S			9.0
		Performance TPR	375		S65-RAR-0520-S	S65-RPB-0520-S	S65-RPC-0520-S		7.3
		Polyolefin	650		S65-POR-0520-S	S65-POB-0520-S	S65-POC-0520-S		8.7
		Rubber on Aluminum	600		S65-SUR-0520-S	S65-SUB-0520-S	S65-RAC-0520-S		8.6
		Solid Urethane	900		S65-UAR-0520-S		S65-SUC-0520-S		9.0
		Urethane on Aluminum	1050		S65-UIR-0520-S		S65-UAC-0520-S		8.5
		Urethane on Iron	1050		S65-UPR-0520-S	S65-UIB-0520-S	S65-UIC-0520-S		9.0
		Urethane Polypropylene	750		S65-UPB-0520-S	S65-UPC-0520-S			7.3
6"	2"	Durastan	1200	7-1/2"	S65-DUR-0620-S	S65-DUB-0620-S	S65-DUC-0620-S	1-5/8"	10.0
		GT	1200		S65-HNR-0620-S	S65-GTB-0620-S			10.0
		High Temp. Nylon	1200		S65-RPR-0620-S	S65-HNB-0620-S			10.0
		Omega	1000		S65-RAR-0620-S	S65-RPB-0620-S	S65-RPC-0620-S		12.0
		Performance TPR	525		S65-POR-0620-S	S65-POB-0620-S	S65-POC-0620-S		7.7
		Polyolefin	700		S65-SUR-0620-S	S65-SUB-0620-S	S65-RAC-0620-S		10.0
		Rubber on Aluminum	615		S65-UAR-0620-S		S65-SUC-0620-S		10.0
		Solid Urethane	900		S65-UIR-0620-S	S65-UIB-0620-S	S65-UIC-0620-S		11.0
		Urethane on Aluminum	1200		S65-UPR-0620-S	S65-UPB-0620-S	S65-UPC-0620-S		12.0
		Urethane on Iron	1200						7.7
8"	2"	Durastan	1200	10-1/8"	S65-DUR-0820-S	S65-DUB-0820-S	S65-DUC-0820-S	2-3/8"	11.0
		GT	1200		S65-HNR-0820-S	S65-GTB-0820-S			11.0
		Omega	1200		S65-RPR-0820-S	S65-HNB-0820-S	S65-RPC-0820-S		13.0
		Performance TPR	600		S65-RAR-0820-S	S65-RPB-0820-S	S65-RAC-0820-S		8.1
		Polyolefin	800		S65-POR-0820-S	S65-POB-0820-S	S65-POC-0820-S		9.1
		Rubber on Aluminum	750		S65-SUR-0820-S	S65-SUB-0820-S	S65-RAC-0820-S		11.0
		Solid Urethane	1050		S65-UAR-0820-S		S65-SUC-0820-S		11.0
		Urethane on Aluminum	1200		S65-UIR-0820-S		S65-UAC-0820-S		12.0
		Urethane on Iron	1200		S65-UPR-0820-S	S65-UIB-0820-S	S65-UIC-0820-S		13.0
		Urethane Polypropylene	1000		S65-UPB-0820-S	S65-UPC-0820-S			9.1

OPTIONS	
DSL	Demountable Swivel Lock STD TP Only
SCWB	Stainless Steel Cam Wheel Brake
SICWB	Stainless Installable Face Contact Brake
SL	Swivel Lock
SR	Sealed Swivel Raceway
SSBB	Stainless Steel Ball Bearing
SSRB	Stainless Steel Roller Bearing
WB	Stainless Side Wheel Brake
WTHB	Stainless Welded T-Handle Brake

To order a rigid caster, change the "S" to "R" in the model number. For example: "S65-GTB-0420-R". To order a rig only, omit the blue letters. For example: "S65-0420-S". Dimensions shown are nominal. If precise dimensions are required, consult your RWM representative. For approximate weight of our rigid caster, deduct 5.4 pounds.

OPTIONAL MOUNTING PLATES			
Optional Top Plate Number	Mounting Plate	Bolt Hole Spacing	Bolt Size
41RT 41ST	4" x 5"	2-5/8" x 3-5/8" slotted to 3" x 4"	3/8"
42RT 42ST	4-1/2" x 6-1/2"	2-7/16" x 4-15/16" slotted to 3-3/8" x 5-1/4"	1/2"
43RT 43ST	5" x 5-1/2"	4-1/8" x 4-1/2"	3/8"

OPTIONAL OVERALL HEIGHTS	
Wheel Diameter	Overall Height
4"	5-9/16"
5"	6-11/16"
6"	7-5/8"
8"	9-1/2"

NSF
COMPONENT

Available NSF Products:

All casters except those with cast iron, soft rubber, Omega, rubber on iron, rubber on aluminum, forged steel, urethane on aluminum, urethane on iron, or V-groove wheels. The following options are also not available: SL and SR. Add "-N" to the end of the model number to specify an NSF approved caster. For example:

S65 Stainless Steel Casters

UP TO 1,200 POUND CAPACITY

S75 Stainless Steel Casters

RAPIDSTOCK
Kingpinless™ Design



S75-GTB-0625-S-SSBB-WTHB

FEATURES	
Raceway Design	Patented Kingpinless™ single ball bearing precision machined raceway. 3" diameter raceway with 1/2" stainless ball bearings.
Leg Thickness	1/4"
Bolt Hole Spacing	2-7/16" x 4-15/16" slotted to 3-3/8" x 5-1/4"
Mounting Plate Size	4-1/2" x 6-1/2" x 1/4"
Mounting Bolt Diameter	1/2"

SPECIFICATIONS

Wheel Diameter	Wheel Width	Wheel Type	Capacity lbs.	Overall Height	Swivel Caster Model Number			Swivel Lead	Approx Weight lbs.		
					Straight Roller Bearing	Ball Bearing	Tapered Roller Bearing				
6"	2-1/2"	Durastan	1600	7-1/2"	S75-DUR-0625-S	S75-GTB-0625-S	S75-UIT-0625-S	1-3/8"	11.5		
		GT	2300		11.5						
		Urethane on Iron	1620		16.5						
6"	3"	Durastan	2000	7-1/2"	S75-DUR-0630-S	S75-SUB-0630-S	S75-UIT-0630-S	1-3/8"	12.5		
		Solid Urethane	1650		12.5						
		Urethane on Iron	2000		17.5						
8"	2-1/2"	Durastan	2000	10-1/8"	S75-DUR-0825-S	S75-GTB-0825-S	S75-UIT-0825-S	2-1/16"	15.0		
		GT	2400		15.0						
		Urethane on Iron	2000		18.5						
8"	3"	Durastan	2500	10-1/8"	S75-DUR-0830-S	S75-SUB-0830-S	S75-UIT-0830-S	2-1/16"	16.5		
		Omega	1600		19.0						
		Solid Urethane	1650		16.5						
		Urethane on Iron	2500		19.5						
10"	2-1/2"	Durastan	2500	11-1/2"	S75-DUR-1025-S	S75-UIT-1025-S	S75-UIT-1025-S	2-1/4"	16.5		
		Urethane on Iron	2370		21.5						
10"	3"	Durastan	2500	11-1/2"	S75-DUR-1030-S	S75-GTB-1030-S	S75-UIT-1030-S	2-1/4"	20.0		
		GT	2500		20.0						
		Omega	2000		S75-UOR-1030-S				S75-UOB-1030-S	S75-UOT-1030-S	22.0
		Rubber on Aluminum	1500		S75-RAB-1030-S				S75-RAT-1030-S	20.3	
		Solid Urethane	2000		S75-SUR-1030-S				S75-SUB-1030-S	20.0	
		Urethane on Iron	2500		S75-UIR-1030-S				S75-UIT-1030-S	22.5	
Ultra Thick Urethane	2500	S75-UTR-1030-S	S75-UTT-1030-S	25.0							
12"	2-1/2"	Durastan	2500	13-1/2"	S75-DUR-1225-S	S75-UIT-1225-S	S75-UIT-1225-S	2-11/16"	20.5		
		Urethane on Iron	2500		23.5						
12"	3"	Durastan	2500	13-1/2"	S75-DUR-1230-S	S75-RAB-1230-S	S75-RAT-1230-S	2-11/16"	22.5		
		Rubber on Aluminum	1710		24.5						
		Urethane on Iron	2500		S75-UIR-1230-S				S75-UIT-1230-S	26.5	
		Ultra Thick Urethane	2500		S75-UTR-1230-S				S75-UTT-1230-S	28.0	

OPTIONS

SCWB	Stainless Steel Cam Wheel Brake
SL	Swivel Lock
SR	Sealed Swivel Raceway
SSBB	Stainless Steel Ball Bearing
SSRB	Stainless Steel Roller Bearing
WTHB	Welded "T" Handle Brake

To order a rigid caster, change the "S" to "R" in the model number. For example: "S75-DUR-0830-R". To order a rig only, omit the blue letters. For example: "S75-0830-S". Dimensions shown are nominal. If precise dimensions are required, consult your RWM representative. For approximate weight of our rigid caster, deduct 5.4 pounds.

S75 Stainless Steel Casters
RK Series Casters

UP TO 2,500 POUND CAPACITY



RK-GTB-0615-S

FEATURES	
Swivel Section	Cold forged top plate, yoke and button are all heat treated to prevent brinelling, improve swivel action and increase service life. Load and thrust bearings are hardened and ground and rotate on hardened raceways. Top plate is 1/4" steel. Specially designed legs are forged for increased strength, ease of cleaning debris and continuously welded to yoke. All swivel sections are equipped with a lubrication fitting for field maintenance. RWM lubricates all swivel sections prior to shipment.
Kingpin	5/8" diameter rivet hydraulically compressed to increase strength of swivel section on 1-1/2" wide wheels as compared to staking, 3/4" diameter rivet on 2" wide wheels
Axle	1/2" diameter bolt on 1-1/2" wide wheels. 5/8" diameter bolt on 2" wide wheels.
Finish	Zinc plated to protect against corrosion.
Wheels	Wheels are available with either straight roller bearings which rotate on a hardened and ground spanner or ball bearing for ease of rollability.
Thread Guard	Precision fitting full wheel thread guards to reduce string build-up around the wheel.

SPECIFICATIONS													
Wheel Diameter	Wheel Width	Wheel Type	lbs. Capacity	Overall Height	Swivel Caster Model Number			Swivel Lead	Approx Weight lbs.				
					Straight Roller Bearing	Ball Bearing	Plain, Oilite, Celcon Bearing						
4"	1-1/2"	Cast Iron	350	5-1/4"	RK-CIR-0415-S-TG	RK-CIB-0415-S-TG	RK-CIC-0415-S-TG	1-3/4"	4.5				
		Durastan	350		RK-DUR-0415-S-TG	RK-DUB-0415-S-TG	RK-DUC-0415-S-TG		4.5				
		GT	350		RK-GTB-0415-S-TG				4.5				
		Performance TPR	325		RK-RPR-0415-S-TG	RK-RPB-0415-S-TG	RK-RPC-0415-S-TG		5.0				
		Urethane on Aluminum	350		RK-UAR-0415-S-TG		RK-UAC-0415-S-TG		4.5				
		Urethane on Iron	350		RK-UIR-0415-S-TG	RK-UIB-0415-S-TG	RK-UIC-0415-S-TG		4.6				
Urethane Plastic	350	RK-UPR-0415-S-TG	RK-UPB-0415-S-TG	RK-UPC-0415-S-TG	5.3								
5"	1-1/2"	Cast Iron	400	6-1/4"	RK-CIR-0515-S-TG	RK-CIB-0515-S-TG	RK-CIC-0515-S-TG	1-7/8"	7.5				
		Durastan	400		RK-DUR-0515-S-TG	RK-DUB-0515-S-TG	RK-DUC-0515-S-TG		5.3				
		GT	400		RK-GTB-0515-S-TG				5.3				
		Performance TPR	350		RK-RPR-0515-S-TG	RK-RPB-0515-S-TG	RK-RPC-0515-S-TG		5.3				
		Urethane on Aluminum	400		RK-UAR-0515-S-TG		RK-UAC-0515-S-TG		5.5				
		Urethane on Iron	400		RK-UIR-0515-S-TG	RK-UIB-0515-S-TG	RK-UIC-0515-S-TG		5.0				
Urethane Plastic	400	RK-UPR-0515-S-TG	RK-UPB-0515-S-TG	RK-UPC-0515-S-TG	5.3								
5"	2"	Cast Iron	900	6-1/2"	RK-CIR-0520-S-TG	RK-CIB-0520-S-TG	RK-CIC-0520-S-TG	2-1/16"	9.8				
		Durastan	900		RK-DUR-0520-S-TG		RK-DUC-0520-S-TG		7.0				
		GT	900		RK-GTB-0520-S-TG				7.0				
		High Temp. Nylon	900		RK-HNR-0520-S-TG	RK-HNB-0520-S-TG			7.0				
		Performance TPR	375		RK-RPR-0520-S-TG	RK-RPB-0520-S-TG	RK-RPC-0520-S-TG		5.7				
		Rubber on Aluminum	600		RK-RAR-0520-S-TG		RK-RAC-0520-S-TG		9.4				
		Solid Urethane	900		RK-SUR-0520-S-TG	RK-SUB-0520-S-TG	RK-SUC-0520-S-TG		7.0				
		Urethane on Aluminum	900		RK-UAR-0520-S-TG		RK-UAC-0520-S-TG		9.8				
		Urethane on Iron	900		RK-UIR-0520-S-TG		RK-UIC-0520-S-TG		10.5				
		Urethane Plastic	750		RK-UPR-0520-S-TG	RK-UPB-0520-S-TG	RK-UPC-0520-S-TG		5.7				
		6"	1-1/2"		Cast Iron	450	7-1/4"		RK-CIR-0615-S-TG	RK-CIB-0615-S-TG	RK-CIC-0615-S-TG	2"	8.8
					Durastan	450			RK-DUR-0615-S-TG	RK-DUB-0615-S-TG	RK-DUC-0615-S-TG		6.0
GT	450			RK-GTB-0615-S-TG				6.0					
Performance TPR	450			RK-RPR-0615-S-TG	RK-RPB-0615-S-TG	RK-RPC-0615-S-TG		5.7					
Urethane on Iron	450			RK-UIR-0615-S-TG	RK-UIB-0615-S-TG	RK-UIC-0615-S-TG		5.7					
Urethane Plastic	450			RK-UPR-0615-S-TG	RK-UPB-0615-S-TG	RK-UPC-0615-S-TG		5.7					
6"	2"	Cast Iron	900	7-1/2"	RK-CIR-0620-S-TG	RK-CIB-0620-S-TG	RK-CIC-0620-S-TG	2-3/8"	11.0				
		Durastan	900		RK-DUR-0620-S-TG	RK-DUB-0620-S-TG	RK-DUC-0620-S-TG		8.0				
		GT	900		RK-GTB-0620-S-TG				8.0				
		High Temp. Nylon	900		RK-HNR-0620-S-TG	RK-HNB-0620-S-TG			8.0				
		Performance TPR	525		RK-RPR-0620-S-TG	RK-RPB-0620-S-TG	RK-RPC-0620-S-TG		7.3				
		Omega	900		RK-UOR-0620-S-TG	RK-UOB-0620-S-TG	RK-UOC-0620-S-TG		10.4				
		Rubber on Aluminum	615		RK-RAR-0620-S-TG	RK-RAB-0620-S-TG	RK-RAC-0620-S-TG		8.5				
		Solid Urethane	900		RK-SUR-0620-S-TG	RK-SUB-0620-S-TG	RK-SUC-0620-S-TG		8.0				
		Urethane on Aluminum	900		RK-UAR-0620-S-TG		RK-UAC-0620-S-TG		8.5				
		Urethane on Iron	900		RK-UIR-0620-S-TG	RK-UIB-0620-S-TG	RK-UIC-0620-S-TG		10.5				
		Urethane Plastic	900		RK-UPR-0620-S-TG	RK-UPB-0620-S-TG	RK-UPC-0620-S-TG		7.3				

OPTIONS	
HT	High Temperature Lubrication
KB	Nut and Bolt Kingpin
LT	Low Temperature Lubrication
SL	Swivel Lock
SR	Sealed Swivel Raceway

To order a rigid caster, change the "S" to "R" in the model number. For example: "RK-0415-R". To order a rig only, omit the blue letters. Dimensions shown are nominal. If precise dimensions are required, consult your RWM representative. For approximate weight of our rigid caster, deduct .9 pounds.

STANDARD MOUNTING PLATES			
Wheel Size	Mounting Plate	Bolt Hole Spacing	Bolt Size
4" x 1-1/2" 5" x 1-1/2" 6" x 1-1/2"	4" x 4-1/2"	2-5/8" x 3-5/8" slotted to 3" x 3"	3/8"
5" x 2" 6" x 2" 8" x 2"	5" x 5-1/2"	4-1/8" x 4-1/2"	3/8"

OPTIONAL MOUNTING PLATES			
Optional Top Plate Number	Mounting Plate	Bolt Hole Spacing	Bolt Size
FOR 1-1/2" WIDE WHEELS			
41ST 41RT	4" x 5"	2-5/8" x 3-5/8" slotted to 3" x 4"	3/8"
42ST 42RT	4-1/2" x 6-1/2"	2-7/16" x 4-15/16" slotted to 3-3/8" x 5-1/4"	1/2"
43ST 43RT	5" x 5-1/2"	4-1/8" x 4-1/2"	3/8"
FOR 2" WIDE WHEELS			
43ST 43RT	5" x 5-1/2"	4-1/8" x 4-1/2"	3/8"

RK Series Casters
S75 Stainless Steel Casters

UP TO 900 POUND CAPACITY



WT-GTB-0515-S

FEATURES	
Swivel Section	Cold forged top plate, yoke and button are all heat treated to prevent brinelling, improve swivel action and increase service life. Load and thrust bearings are hardened and ground and rotate on hardened raceways. Top plate and legs are 1/4" steel. Legs are formed for increased strength and continuously welded to yoke. All swivel sections are equipped with a lubrication fitting for field maintenance. RWM lubricates all swivel sections prior to shipment.
Kingpin	5/8" diameter rivet hydraulically compressed to increase strength of swivel section on 1-1/2" wide wheels as compared to staking, 3/4" diameter rivet on 2" wide wheels.
Axle	1/2" diameter drilled axle with lubrication fitting provided on all casters to improve ease of lubrication.
Finish	Zinc plated to protect against corrosion.
Wheels	Wheels are available with either straight roller bearings which rotate on a hardened and ground spanner or ball bearing for ease of rollability.
Spacers	Oversized spacers provide protection from string build-up and reduce cleaning time by 80%.
Thread Guard	Precision fitting full wheel thread guards to reduce string build-up around the wheel.

SPECIFICATIONS												
Wheel Diameter	Wheel Width	Wheel Type	lbs. Capacity	Overall Height	Straight Roller Bearing	Ball Bearing	Swivel Lead	Approx Weight lbs.				
4"	1-1/2"	Cast Iron	500	5-5/8"	WT-CIR-0415-S		1-1/2"	6.1				
		Durastan	600		WT-DUR-0415-S			4.4				
		GT	900			WT-GTB-0415-S		4.4				
		Polyolefin	375		WT-POR-0415-S	WT-POB-0415-S		4.1				
		Performance TPR	325		WT-RPR-0415-S			5.3				
		Urethane on Aluminum	600		WT-UAR-0415-S			5.0				
		Urethane Polypropylene	500		WT-UPR-0415-S	WT-UPB-0415-S		5.3				
Urethane Solid	300	WT-USR-0415-S	WT-USB-0415-S	6.0								
5"	1-1/2"	Cast Iron	600	6-1/8"	WT-CIR-0515-S		1-1/2"	6.9				
		Durastan	650		WT-DUR-0515-S			4.9				
		GT	1000			WT-GTB-0515-S		4.9				
		Polyolefin	440		WT-POR-0515-S	WT-POB-0515-S		4.4				
		Performance TPR	350		WT-RPR-0515-S	WT-RPB-0515-S		5.3				
		Urethane on Aluminum	720		WT-UAR-0515-S			5.0				
		Urethane Polypropylene	700		WT-UPR-0515-S	WT-UPB-0515-S		5.3				
Urethane Solid	330	WT-USR-0515-S	WT-USB-0515-S	6.0								
5"	2"	Cast Iron	1000	6-15/16"	WT-CIR-0520-S		1-13/16"	10.2				
		Durastan	1000		WT-DUR-0520-S			6.5				
		GT	1200			WT-GTB-0520-S		6.5				
		High Temp. Nylon	1000		WT-HNR-0520-S	WT-HNB-0520-S		6.9				
		Polyolefin	650		WT-POR-0520-S	WT-POB-0520-S		5.9				
		Performance TPR	375		WT-RPR-0520-S	WT-RPB-0520-S		5.7				
		Rubber on Aluminum	600		WT-RAR-0520-S			8.9				
		Solid Urethane	900		WT-SUR-0520-S	WT-SUB-0520-S		6.8				
		Urethane on Aluminum	1050		WT-UAR-0520-S			6.6				
		Urethane on Iron	1050		WT-UIR-0520-S			9.2				
		Urethane Polypropylene	750		WT-UPR-0520-S	WT-UPB-0520-S		5.7				
		6"	1-1/2"		Cast Iron	600		7-5/16"	WT-CIR-0615-S		1-13/16"	8.1
					Durastan	800			WT-DUR-0615-S			5.4
GT	1200				WT-GTB-0615-S	5.8						
Performance TPR	475			WT-RPR-0615-S	WT-RPB-0615-S	5.8						
Urethane Polypropylene	800			WT-UPR-0615-S	WT-UPB-0615-S	5.7						
6"	2"			Cast Iron	1200	7-7/16"	WT-CIR-0620-S		WT-CIB-0620-S	1-13/16"		11.1
				Durastan	1200		WT-DUR-0620-S		WT-DUB-0620-S			7.6
		GT	1400		WT-GTB-0620-S		7.6					
		High Temp. Nylon	1200	WT-HNR-0620-S	WT-HNB-0620-S		8.1					
		Omega	1000	WT-UOR-0620-S	WT-UOB-0620-S		10.4					
		Polyolefin	700	WT-POR-0620-S	WT-POB-0620-S		6.3					
		Performance TPR	525	WT-RPR-0620-S	WT-RPB-0620-S		7.3					
		Rubber on Aluminum	615	WT-RAR-0620-S	WT-RAB-0620-S		9.4					
		Solid Urethane	900	WT-SUR-0620-S	WT-SUB-0620-S		12.0					
		Urethane on Aluminum	1230	WT-UAR-0620-S			7.4					
		Urethane on Iron	1230	WT-UIR-0620-S	WT-UIB-0620-S		10.5					
		Urethane Polypropylene	900	WT-UPR-0620-S	WT-UPB-0620-S		7.3					
		8"	2"	Cast Iron	1400		9-3/4"	WT-CIR-0820-S	WT-CIB-0820-S		2-3/8"	17.4
Durastan	1200			WT-DUR-0820-S	WT-DUB-0820-S	9.3						
GT	1400				WT-GTB-0820-S	9.1						
Omega	1200			WT-UOR-0820-S	WT-UOB-0820-S	14.0						
Polyolefin	800			WT-POR-0820-S	WT-POB-0820-S	7.6						
Performance TPR	600			WT-RPR-0820-S	WT-RPB-0820-S	7.1						
Rubber on Aluminum	750			WT-RAR-0820-S	WT-RAB-0820-S	12.2						
Solid Urethane	1050			WT-SUR-0820-S	WT-SUB-0820-S	7.3						
Urethane on Aluminum	1400			WT-UAR-0820-S		9.1						
Urethane on Iron	1400			WT-UIR-0820-S	WT-UIB-0820-S	9.3						
Urethane Polypropylene	1000			WT-UPR-0820-S	WT-UPB-0820-S	7.1						

OPTIONS	
KB	Nut and Bolt Kingpin
SL	Swivel Lock
SR	Sealed Swivel Raceway

To order a rigid caster, change the "S" to "R" in the model number. For example: "WT-CIR-0415-R". To order rig only, omit the blue letters. For example: "WT-0415-S". Dimensions shown are nominal. If precise dimensions are required, consult your RWM representative. For approximate weight of our rigid casters, deduct 0.9 pounds per item.

STANDARD MOUNTING PLATES			
Wheel Size	Mounting Plate	Bolt Hole Spacing	Bolt Size
4" x 1-1/2" 5" x 1-1/2" 6" x 1-1/2"	4" x 4-1/2"	2-5/8" x 3-5/8" slotted to 3" x 3"	3/8"
5" x 2" 6" x 2" 8" x 2"	4-1/2" x 6-1/2"	2-7/16" x 4-15/16" slotted to 3-3/8" x 5-1/4"	1/2"

OPTIONAL MOUNTING PLATES			
Optional Top Plate Number	Mounting Plate	Bolt Hole Spacing	Bolt Size
FOR 1-1/2" WIDE WHEELS			
41ST 41RT	4" x 5"	2-5/8" x 3-5/8" slotted to 3" x 4"	3/8"
42ST 42RT	4-1/2" x 6-1/2"	2-7/16" x 4-15/16" slotted to 3-3/8" x 5-1/4"	1/2"
43ST 43RT	5" x 5-1/2"	4-1/8" x 4-1/2"	3/8"
FOR 2" WIDE WHEELS			
43ST 43RT	5" x 5-1/2"	4-1/8" x 4-1/2"	3/8"

WT Series Casters
Durastan Wheels

UP TO 1,400 POUND CAPACITY

Durastan wheels are molded from prime phenolic resin compounds for maximum density and strength. Durastan wheels are of a special water resistant compound using a homogeneous fiber reinforcement that gives excellent service even in wet and cold applications. In addition, Durastan wheels resist degradation, deterioration, corrosion from oil, grease, commonly used acids and solvents. Durastan wheels are recommended for all types of floors except resilient tile. Durastan wheels should not be towed at high speeds or used on poor floors.



DUR-1030-16

FEATURES	
Wheel Bearing	Choice of straight roller, annular ball, celcon or plain.
Retaining Washer	All wheels 1-1/2" and wider with roller bearings are equipped with a metal thrust/retainer washer
Temperature Range	-65° to 275°F continuously, 300°F intermittently
Bores	Special sizes available upon request
Lubrication	Lubrication fittings standard on 2-1/2" and wider wheels

SPECIFICATIONS									
Wheel Diameter	Wheel Width	lbs. Capacity	Axle Diameter	Straight Roller Bearing	Ball Bearing	Plain, Oilite, Celcon Bearing	Hub Length	Approx. Weight	
3"	1-1/4"	400	5/16" 3/8" 1/2"		DUB-0312-05 DUB-0312-06	DUC-0312-05 DUC-0312-06 DUC-0312-08	1-15/32"	0.6	
3"	1-1/2"	600	3/8" 1/2" 5/8" 3/4"	DUR-0315-06 DUR-0315-08 DUR-0315-10 DUR-0315-12		DUC-0315-06 DUC-0315-08 DUC-0315-10 DUC-0315-12	1-7/8"	0.9	
3"	1-3/4"	700	1/2" 3/4"	DUR-0317-08 DUR-0317-12			1-15/16"	0.8	
3-1/4"	1-1/2"	600	1/2" 5/8" 3/4"	DUR-3215-08 DUR-3215-10 DUR-3215-12		DUC-3215-08 DUC-3215-10 DUC-3215-12	1-7/8"	0.9	
3-1/4"	2"	700	1/2" 5/8" 3/4"	DUR-3220-08 DUR-3220-10 DUR-3220-12		DUC-3220-08 DUC-3220-10 DUC-3220-12	2-7/16"	1.5	
3-1/2"	1-1/4"	400	5/16" 3/8" 1/2"		DUB-3512-05 DUB-3512-06	DUC-3512-05 DUC-3512-06 DUC-3512-08	1-15/32"	0.9	
4"	1-1/4"	400	5/16" 3/8" 1/2"		DUB-0412-05 DUB-0412-06	DUC-0412-05 DUC-0412-06 DUC-0412-08	1-15/32"	0.9	
4"	1-1/2"	600	3/8" 1/2" 5/8" 3/4"	DUR-0415-06 DUR-0415-08 DUR-0415-10 DUR-0415-12	DUB-0415-06 DUB-0415-08	DUC-0415-06 DUC-0415-08 DUC-0415-10 DUC-0415-12	1-7/8"	1.0	
4"	2"	800	1/2" 5/8" 3/4"	DUR-0420-08 DUR-0420-10 DUR-0420-12		DUC-0420-08 DUC-0420-10 DUC-0420-12	2-7/16"	1.9	
5"	1-1/4"	400	5/16" 3/8" 1/2"		DUB-0512-05 DUB-0512-06	DUC-0512-05 DUC-0512-06 DUC-0512-08	1-15/32"	1.4	
5"	1-1/2"	650	3/8" 1/2" 5/8" 3/4"	DUR-0515-06 DUR-0515-08 DUR-0515-10 DUR-0515-12	DUB-0515-06 DUB-0515-08	DUC-0515-06 DUC-0515-08 DUC-0515-10 DUC-0515-12	1-7/8"	1.7	
5"	2"	1000	1/2" 5/8" 3/4"	DUR-0520-08 DUR-0520-10 DUR-0520-12		DUC-0520-08 DUC-0520-10 DUC-0520-12	2-7/16"	1.9	
6"	1-1/2"	800	3/8" 1/2" 3/8" 3/4"	DUR-0615-06 DUR-0615-08 DUR-0615-10 DUR-0615-12	DUB-0615-06 DUB-0615-08	DUC-0615-06 DUC-0615-08 DUC-0615-10 DUC-0615-12	1-7/8"	2.2	
6"	2"	1200	1/2" 5/8" 3/4"	DUR-0620-08 DUR-0620-10 DUR-0620-12	DUB-0620-08 DUB-0620-10 DUB-0620-12	DUC-0620-08 DUC-0620-10 DUC-0620-12	2-7/16"	3.5	
6"	2-1/2"	1600	3/4"	DUR-0625-12-YY 1" 1" 1-1/4"			3"	4.8	
			3/4"	DUR-0625-12 1" 1" 1-1/4"			3-1/2"	5.1	
			3/4"	DUR-0625-12-YY 1" 1" 1-1/4"					
			3/4"	DUR-0625-12 1" 1" 1-1/4"					
			3/4"	DUR-0625-12 1" 1" 1-1/4"					

SPECIFICATIONS									
Wheel Diameter	Wheel Width	lbs. Capacity	Axle Diameter	Straight Roller Bearing	Ball Bearing	Plain, Oilite, Celcon Bearing	Hub Length	Approx. Weight	
6"	3"	2000	3/4" 1" 1" 1-1/4"	DUR-0630-12 DUR-0630-16 DUR-0630-16-SI DUR-0630-20			3-1/2"	5.0	
8"	2"	1400	1/2" 5/8" 3/4"	DUR-0820-08 DUR-0820-10 DUR-0820-12	DUB-0820-08 DUB-0820-10 DUB-0820-12	DUC-0820-08 DUC-0820-10 DUC-0820-12	2-7/16"	4.4	
8"	2-1/2"	1800	3/4" 1" 1" 1-1/4"	DUR-0825-12-YY DUR-0825-16-YY DUR-0825-16-YY-SI DUR-0825-20-YY			3"	5.4	
			3/4" 1" 1" 1-1/4"	DUR-0825-12 DUR-0825-16 DUR-0825-16-SI DUR-0825-20			3-1/2"	7.0	
			3/4" 1" 1" 1-1/4"	DUR-0830-12 DUR-0830-16 DUR-0830-16-SI DUR-0830-20			3-1/2"	7.6	
10"	2-1/2"	1800	3/4" 1" 1" 1-1/4"	DUR-1025-12-YY DUR-1025-16-YY DUR-1025-16-YY-SI DUR-1025-20-YY			3"	8.2	
			3/4" 1" 1" 1-1/4"	DUR-1025-12 DUR-1025-16 DUR-1025-16-SI DUR-1025-20			3-1/2"	7.0	
			3/4" 1" 1" 1-1/4"	DUR-1030-12 DUR-1030-16 DUR-1030-16-SI DUR-1030-20			3-1/2"	10.2	
12"	3"	2900	3/4" 1" 1" 1-1/4"	DUR-1225-12-YY DUR-1225-16-YY DUR-1225-16-YY-SI DUR-1225-20-YY			3"	12.0	
			3/4" 1" 1" 1-1/4"	DUR-1230-12 DUR-1230-16 DUR-1230-16-SI DUR-1230-20			3-1/2"	13.3	
			3/4" 1" 1-1/4"	DUR-1235-16 DUR-1235-20			4-1/2"	15.3	
12"	4"	4000	1-1/4"	DUR-1240-20			4-1/2"	26.25	
16"	3"	4000	1" 1-1/4"	DUR-1630-16 DUR-1630-20			4-1/2"	27.0	
16"	4"	8000	1" 1-1/4"	DUR-1640-16 DUR-1640-20			5-1/2"	35.0	
18"	3"	3500	1" 1-1/4"	DUR-1830-16 DUR-1830-20			3-1/2"	24.0	

OPTIONS

- TG** Thread Guards on 1-1/4", 1-1/2" & 2" wide
- WS** Wheel Seals
- ZF** Zerk Fittings (standard on 6" x 2-1/2" and larger)

OTHER PHENOLIC/DURASTAN COMPOUNDS

DL-Laminated

The Durastan Laminated wheels have a macerated center with a continuously wound canvas tread bonded with phenolic resin. These wheels provide the same good floor protection as our standard Durastan wheels, but have a greater resistance to fraying and chipping with approximately 35% more impact strength than a standard phenolic wheel and 25% greater capacity. The Durastan laminated wheels are ideal where standard wheels are indicating premature wear.

DH-High Temperature

High temperature compounds are available for applications up to 475°F continuously. Because of their special high heat compounds, these wheels are more brittle than standard Durastan wheels. Rough uneven floors should be avoided with these wheels.

UP TO 8,000 POUND CAPACITY

Durastan Wheels
WT Series Casters



POR-0820-12

Tests have proven Polyolefin wheels to have superior resistance to water and chemicals, better abrasion resistance than hard rubber and a remarkable ability to withstand impact. They are designed for more applications than any other type of wheel. Ideal for use in bakeries, meat packers, dairies, food processors, laundries, supermarkets, offices, food service, warehouses and manufacturing.

FEATURES	
Wheel Bearing	Choice of straight rollers, plain, celcon or ball bearings.
Temperature Range	-20° to 230°F

SPECIFICATIONS								
Wheel Diameter	Wheel Width	lbs. Capacity	Axle Diameter	Straight Roller Bearing	Ball Bearing	Plain, Oilite, Celcon Bearing	Hub Length	Approx Weight
3"	1-1/4"	250	5/16"		POB-0312-05	POP-0312-05	1-1/2"	0.5
			5/16"			POC-0312-05		
			3/8"		POB-0312-06	POP-0312-06		
			3/8"			POC-0312-06		
3-1/2"	1-1/4"	275	5/16"		POB-3512-05	POP-3512-05	1-1/2"	0.5
			3/8"			POC-3512-05		
			3/8"		POB-3512-06	POP-3512-06		
			3/8"			POC-3512-06		
4"	1-1/4"	300	5/16"		POB-0412-05	POP-0412-05	1-1/2"	0.5
			5/16"			POC-0412-05		
			3/8"		POB-0412-06	POP-0412-06		
			3/8"			POC-0412-06		
4"	1-1/2"	375	3/8"	POR-0415-06		POP-0415-06	1-7/8"	0.7
			3/8"			POC-0415-06		
			1/2"	POR-0415-08	POB-0415-08	POP-0415-08		
			1/2"			POC-0415-08		
			5/8"	POR-0415-10		POP-0415-10		
			5/8"			POC-0415-10		
4"	2"	500	1/2"	POR-0420-08	POB-0420-08	POP-0420-08	2-7/16"	1.0
			1/2"			POC-0420-08		
			5/8"	POR-0420-10		POP-0420-10		
			5/8"			POC-0420-10		
5"	1-1/4"	300	5/16"		POB-0512-05	POP-0512-05	1-1/2"	0.6
			5/16"			POC-0512-05		
			3/8"		POB-0512-06	POP-0512-06		
			3/8"			POC-0512-06		
5"	1-1/2"	440	3/8"	POR-0515-06		POP-0515-06	1-7/8"	0.7
			3/8"			POC-0515-06		
			1/2"	POR-0515-08	POB-0515-08	POP-0515-08		
			1/2"			POC-0515-08		
			5/8"	POR-0515-10		POP-0515-10		
			5/8"			POC-0515-10		
5"	2"	650	1/2"	POR-0520-08	POB-0520-08	POP-0520-08	2-7/16"	1.1
			1/2"			POC-0520-08		
			5/8"	POR-0520-10		POP-0520-10		
			5/8"			POC-0520-10		
6"	2"	700	1/2"	POR-0620-08	POB-0620-08	POP-0620-08	2-7/16"	1.3
			1/2"			POC-0620-08		
			5/8"	POR-0620-10		POP-0620-10		
			5/8"			POC-0620-10		
8"	2"	800	1/2"	POR-0820-08	POB-0820-08	POP-0820-08	2-7/16"	2.1
			1/2"			POC-0820-08		
			5/8"	POR-0820-10		POP-0820-10		
			5/8"			POC-0820-10		
8"	2"	800	3/4"	POR-0820-12		POP-0820-12	2-7/16"	2.1
			3/4"			POC-0820-12		

OPTIONS	
WS	Wheel Seals
TG	Thread Guard
ZF	Zerk Fitting

UP TO 800 POUND CAPACITY
Polyolefin Wheels
Performance TPR Wheels

The Performance TPR wheel is specially engineered to provide unsurpassed durability and reliability. This premium wheel combines the durability of a hard tread wheel with the quiet floor protection of a soft tread wheel. They are made of a thermoplastic elastomer which is permanently bonded to a polypropylene core and will not mark floors. The Performance TPR wheel is resistant to chemicals, acids, bases, alcohols, salts and steam. This attractive wheel accommodates a large number of industries and a limitless number of applications.



RPR-0820-19

FEATURES

Wheel Bearing	Choice of straight roller bearing, celcon and annular ball bearing.
Temperature Range	-45° to 120°F continuous; 180°F intermittent
Bores	Various sizes available on some wheels
Hardness	70 Durometer Shore A

SPECIFICATIONS

Wheel Diameter	Wheel Width	Capacity lbs.	Axle Diameter	Straight Roller Bearing	Ball Bearing	Plain, Oilite, Celcon Bearing	Hub Length	Approx Weight lbs.
FLAT TREAD								
3"	1-1/4"	190	3/8"		RPB-0312-06	RPC-0312-06	1-1/2"	0.22
3-1/2"	1-1/4"	200	3/8"		RPB-3512-06	RPC-3512-06	1-1/2"	0.29
4"	1-1/4"	275	3/8"		RPB-0412-06	RPC-0412-06	1-1/2"	0.34
4"	1-1/2"	325	1/2"	RPR-0415-08	RPB-0415-08	RPC-0415-08	1-7/8"	0.60
			5/8"	RPR-0415-10				
			3/4"	RPR-0415-12				
4"	2"	350	1/2"	RPR-0420-08	RPB-0420-08	RPC-0420-08	2-7/16"	0.66
			5/8"	RPR-0420-10				
			3/4"	RPR-0420-12				
5"	1-1/4"	300	3/8"		RPB-0512-06	RPC-0512-06	1-1/2"	0.52
5"	1-1/2"	350	1/2"	RPR-0515-08	RPB-0515-08	RPC-0515-08	1-7/8"	0.85
			5/8"	RPR-0515-10				
			3/4"	RPR-0515-12				
5"	2"	375	1/2"	RPR-0520-08	RPB-0520-08	RPC-0520-08	2-7/16"	0.96
			5/8"	RPR-0520-10				
			3/4"	RPR-0520-12				
6"	1-1/2"	475	1/2"	RPR-0615-08	RPB-0615-08	RPC-0615-08	1-7/8"	1.85
			5/8"	RPR-0615-10				
			3/4"	RPR-0615-12				
6"	2"	525	1/2"	RPR-0620-08	RPB-0620-08	RPC-0620-08	2-7/16"	1.38
			5/8"	RPR-0620-10				
			3/4"	RPR-0620-12				
8"	2"	600	1/2"	RPR-0820-08	RPB-0820-08	RPC-0820-08	2-7/16"	2.02
			5/8"	RPR-0820-10				
			3/4"	RPR-0820-12				
ROUND TREAD								
6"	2"	525	1/2"	RPR-0621-08	RPB-0621-08	RPC-0621-08	2-7/16"	1.38
			5/8"	RPR-0621-10				
			3/4"	RPR-0621-12				
8"	2"	600	1/2"	RPR-0821-08	RPB-0821-08	RPC-0821-08	2-7/16"	2.02
			5/8"	RPR-0821-10				
			3/4"	RPR-0821-12				

UP TO 600 POUND CAPACITY

Performance TPR Wheels
Polyolefin Wheels



RPR-0820-19

RPR-0821-19

The Performance Wheel is available with a flat tread to provide maximum load surface or round tread to provided easy turning. (Round tread is only available on the 6" x 2"

OPTIONS

TG	Thread Guards
WS	Wheel Seals (roller bearing only)
ZF	Zerk Fitting



GTB-0820-08

The GT wheel is a high performance wheel that combines the toughness of blended elastomers and quality steel with the advanced wheel design to carry heavy loads without component breakdown. It will resist most chemicals in industrial and institutional environments. The GT wheel will perform continuously for extended periods on all surfaces and under all conditions. This wheel provides excellent rollability with minimum effort. It will absorb impacts without damage that would shatter other wheels. The GT will perform under the most extreme temperatures almost entirely maintenance free, and will roll mile after mile with virtually no tread wear.

FEATURES	
Wheel Bearing	Sealed precision ball bearing
Temperature Range	-40°F to +275°F
Bores	1-1/2" and 2" wide wheels are 1/2" bore, 2-1/2" and 3" wide wheels are 3/4" and 1" bore
Hardness	75 durometer Shore D

SPECIFICATIONS						
Wheel Diameter	Wheel Width	Capacity lbs.	Axle Diameter	Ball Bearing	Hub Length	Approx Weight lbs.
4"	1-1/2"	900	1/2"	GTB-0415-08	1-7/8"	1.0
4"	2"	1050	1/2"	GTB-0420-08	2-7/16"	1.5
5"	1-1/2"	1000	1/2"	GTB-0515-08	1-7/8"	1.4
5"	2"	1200	1/2"	GTB-0520-08	2-7/16"	2.0
6"	1-1/2"	1200	1/2"	GTB-0615-08	1-7/8"	1.8
6"	2"	1500	1/2"	GTB-0620-08	2-7/16"	2.8
6"	2-1/2"	2300	3/4"	GTB-0625-12	3-1/2"	4.8
			1"	GTB-0625-16		
			3/4"	GTB-0625-12-YY	3"	4.8
1"	GTB-0625-16-YY					
8"	2"	1800	1/2"	GTB-0820-08	2-7/16"	4.4
8"	2-1/2"	2400	3/4"	GTB-0825-12	3-1/2"	5.4
			1"	GTB-0825-16		
			3/4"	GTB-0825-12-YY	3"	5.4
1"	GTB-0825-16-YY					
10"	3"	3400	3/4"	GTB-1030-12	3-1/2"	10.0
			1"	GTB-1030-16		

OPTIONS	
TG	Thread Guard on 1-1/2" and 2" wheels

UP TO 3,400 POUND CAPACITY

GT & High Temp Nylon Wheel
Signature Wheel™ & Handtruck Signature Wheel™

High Temperature Nylon Wheels



HNR-0620-19

High Temperature Nylon wheels can be used continuously at 350°F and intermittently up to 550°F. They are molded from reinforced nylon designed specifically to withstand high temperatures and have excellent wear resistance. High Temperature Nylon wheels are capable of high load capacities and have excellent impact resistance at room temperature.

FEATURES	
Wheel Bearing	Choice of straight roller or plain bore
Temperature Range	-40° to 550°F
Hardness	85 durometer Shore D

SPECIFICATIONS							
Wheel Diameter	Wheel Width	Capacity lbs.	Axle Diameter	Straight Roller Bearing	Plain, Oilite, Celcon Bearing	Hub Length	Approx Weight lbs.
3"	1-1/4"	300	3/8"		HNP-0312-06	1-1/2"	0.7
4"	1-1/4"	300	3/8"		HNP-0412-06	1-1/2"	0.9
4"	2"	800	1/2"	HNR-0420-08		2-7/16"	1.9
			5/8"	HNR-0420-10			
			3/4"	HNR-0420-12			
5"	1-1/4"	350	3/8"		HNP-0512-06	1-1/2"	1.4
5"	2"	1000	1/2"	HNR-0520-08		2-7/16"	2.2
			5/8"	HNR-0520-10			
			3/4"	HNR-0520-12			
6"	2"	1200	1/2"	HNR-0620-08		2-7/16"	3.5
			5/8"	HNR-0620-10			
			3/4"	HNR-0620-12			

OPTIONS	
TG	Thread Guard
ZF	Zerk Fitting

The RWM Signature™ Premium Wheel has a lightweight, reinforced nylon core with a high strength non-marking elastomeric rubber tread. The round tread provides easy rolling. Our durable nylon core is six times stronger than polypropylene. The performance rubber tread is cut, tear and corrosion resistant and will not chunk out. It has the highest strength-to-weight ratio than any other wheel in the industry.



SWB-0820-08

FEATURES	
Wheel Bearing	Choice of straight roller or precision ball bearing
Temperature Range	-40° to 200°F
Hardness	70 Shore A
Bores	1.190"

SPECIFICATIONS							
Wheel Diameter	Wheel Width	Capacity lbs.	Axle Diameter	Straight Roller Bearing	Ball Bearing	Hub Length	Approx Weight lbs.
4"	2"	400	1/2"	SWR-0420-08	SWB-0420-08	2-7/16"	1.3
5"	2"	500	1/2"	SWR-0520-08	SWB-0520-08	2-7/16"	1.5
6"	2"	600	1/2"	SWR-0620-08	SWB-0620-08	2-7/16"	2.0
8"	2"	700	1/2"	SWR-0820-08	SWB-0820-08	2-7/16"	2.8

UP TO 800 POUND CAPACITY

The RWM Signature™ Premium Wheel has a lightweight, reinforced offset nylon core with a high strength non-marking elastomeric rubber tread. The round tread provides easy rolling. Our durable nylon core is six times stronger than polypropylene. The performance rubber tread is cut, tear and corrosion resistant and will not chunk out. It has the highest strength-to-weight ratio than any other wheel in the industry.



SW2

FEATURES	
Wheel Bearing	Precision flanged ball bearing
Temperature Range	-40° to 200°F
Hardness	70 Shore A

SPECIFICATIONS						
Wheel Diameter	Wheel Width	Capacity	Axle Diameter	Ball Bearing	Hub Length	Approx Weight lbs.
8"	2"	600*	5/8"	SW1	2"	2.30
10"	2"	800*	5/8"	SW2	2.5"	3.00

*Wheel capacity ratings do not reflect hand truck ratings.

The SW1 and SW2 wheels are for hand trucks only.

Signature Wheel™ & Handtruck Signature Wheel GT & High Temp Nylon Wheel

Elastomeric High Tensile Non-Marking Rubber Wheels



Non-Marking EHT on Aluminum

- Incredible molded rubber wheels
- Rubber does not chunk out
- Solid cores provide superior strength
- Durometer: 70-75A

- Performs well at 200% of normal molded rubber capacity
- Non-marking blue tread
- Great for towing applications



RAB-0820-08-EHT-NM

These are incredible molded rubber wheels. The solid cores provide superior strength. The Elastomeric High Tensile Wheels are perfect for towing applications. The special compound will not mark your floors.

SPECIFICATIONS

Wheel Diameter	Wheel Width	Capacity lbs.	Axle Diameter	Straight Roller Bearing	Ball Bearing	Tapered Roller Bearing	Hub Length	Approx Weight lbs.
4"	2"	525	1/2"	RAR-0420-08-EHT			2-7/16"	1.6
			5/8"	RAR-0420-10-EHT				
			3/4"	RAR-0420-12-EHT				
5"	2"	600	1/2"	RAR-0520-08-EHT	RAB-0520-08-EHT		2-7/16"	2.0
			5/8"	RAR-0520-10-EHT				
			3/4"	RAR-0520-12-EHT				
6"	2"	615	1/2"	RAR-0620-08-EHT	RAB-0620-08-EHT		2-7/16"	2.7
			5/8"	RAR-0620-10-EHT				
			3/4"	RAR-0620-12-EHT				
8"	2"	750	1/2"	RAR-0820-08-EHT	RAB-0820-08-EHT		2-7/16"	3.7
			5/8"	RAR-0820-10-EHT				
			3/4"	RAR-0820-12-EHT				
10"	3"	1500	3/4"		RAB-1030-12-EHT RAB-1030-16-EHT	RAT-1030-12-EHT RAT-1030-16-EHT	3-1/2"	10.0
			1"					
12"	3"	1710	3/4"		RAB-1230-12-EHT RAB-1230-16-EHT	RAT-1230-12-EHT RAT-1230-16-EHT	3-1/2"	14.5
			1"					
			1-1/4"					

UP TO 1,710 POUND CAPACITY

Elastomeric High Tensile Rubber Wheels



EHT on Iron

- Incredible molded rubber wheels
- Solid cores provide superior strength
- Rubber does not chunk out
- Durometer: 70-75A

- Performs well at 200% of normal molded rubber capacity
- Great for towing applications



RIR-0830-31-EHT

These are incredible molded rubber wheels. The solid cores provide superior strength. The Elastomeric High Tensile Wheels are perfect for towing applications.

SPECIFICATIONS

Wheel Diameter	Wheel Width	Capacity lbs.	Axle Diameter	Straight Roller Bearing	Tapered Roller Bearing	Hub Length	Approx Weight lbs.
6"	2-1/2"	810	3/4"	RIR-0625-12-EHT	RIT-0625-12-EHT RIT-0625-16-EHT	3-1/2"	10.0
			1"	RIR-0625-16-EHT			
			1"	RIR-0625-16-EHT-SI			
			1-1/4"	RIR-0625-20-EHT			
6"	3"	1020	3/4"	RIR-0630-12-EHT	RIT-0630-12-EHT RIT-0630-16-EHT	3-1/2"	11.2
			1"	RIR-0630-16-EHT			
			1"	RIR-0630-16-EHT-SI			
			1-1/4"	RIR-0630-20-EHT			
8"	2-1/2"	1005	3/4"	RIR-0825-12-EHT	RIT-0825-12-EHT RIT-0825-16-EHT	3-1/2"	11.5
			1"	RIR-0825-16-EHT			
			1"	RIR-0825-16-EHT-SI			
			1-1/4"	RIR-0825-20-EHT			
8"	3"	1260	3/4"	RIR-0830-12-EHT	RIT-0830-12-EHT RIT-0830-16-EHT	3-1/2"	13.0
			1"	RIR-0830-16-EHT-SI			
			1"	RIR-0830-16-EHT			
			1-1/4"	RIR-0830-20-EHT			
10"	2-1/2"	1185	3/4"	RIR-1025-12-EHT	RIT-1025-12-EHT RIT-1025-16-EHT	3-1/2"	13.0
			1"	RIR-1025-16-EHT			
			1"	RIR-1025-16-EHT-SI			
			1-1/4"	RIR-1025-20-EHT			
10"	3"	1500	3/4"	RIR-1030-12-EHT	RIT-1030-12-EHT RIT-1030-16-EHT	3-1/2"	15.0
			1"	RIR-1030-16-EHT			
			1"	RIR-1030-16-EHT-SI			
			1-1/4"	RIR-1030-20-EHT			
12"	3"	1710	3/4"	RIR-1230-12-EHT	RIT-1230-12-EHT RIT-1230-16-EHT	3-1/2"	21.0
			1"	RIR-1230-16-EHT			
			1"	RIR-1230-16-EHT-SI			
			1-1/4"	RIR-1230-20-EHT			

Elastomeric High Tensile Wheels
Mold-On Rubber Wheels

RWM rubber tread wheels are constructed by molding high quality rubber to cast iron cores. All RWM mold-on rubber wheels are floor protective, provide long tread life, are quiet in operation and are highly resilient. These wheels are suggested for use on all types of floors and numerous applications. The standard RWM mold-on rubber tread is 75 durometer Shore A.



RIR-0830-16

FEATURES	
Wheel Bearing	Choice of straight roller or tapered roller bearing
Temperature Range	-40°F to 160°F
Lubrication Fittings	Standard on 2-1/2" and wider wheels
Hub Lengths	Can be shortened or lengthened to order
Keyways	Can be supplied on most sizes
Bore Sizes	Some can be altered

SPECIFICATIONS								
Wheel Diameter	Wheel Width	lbs. Capacity	Axle Diameter	Straight Roller Bearing	Tapered Roller Bearing	Hub Length	Approx Weight	
4"	1-1/2"	250	1/2"	RIR-0415-08			1.2	
			5/8"	RIR-0415-10		1-7/8"		
			3/4"	RIR-0415-12				
4"	2"	350	1/2"	RIR-0420-08		2-7/16"	3.1	
			5/8"	RIR-0420-10				
			3/4"	RIR-0420-12				
5"	1-1/2"	300	1/2"	RIR-0515-08		1-7/8"	2.0	
			5/8"	RIR-0515-10				
			3/4"	RIR-0515-12				
5"	2"	400	1/2"	RIR-0520-08		2-7/16"	3.5	
			5/8"	RIR-0520-10				
			3/4"	RIR-0520-12				
6"	1-1/2"	370	1/2"	RIR-0615-08		1-7/8"	2.3	
			5/8"	RIR-0615-10				
			3/4"	RIR-0615-12				
6"	2"	410	1/2"	RIR-0620-08		2-7/16"	4.1	
			5/8"	RIR-0620-10				
			3/4"	RIR-0620-12				
6"	2-1/2"	540	3/4"	RIR-0625-12-YY		3"	7.8	
			1"	RIR-0625-16-YY				
			1"	RIR-0625-16-YY-SI				
			1-1/4"	RIR-0625-20-YY		3-1/2"		10.0
			3/4"	RIR-0625-12				
			1"	RIR-0625-16				
6"	3"	680	3/4"	RIR-0630-12		3-1/2"	11.2	
			1"	RIR-0630-16				
			1"	RIR-0630-16-SI				
			1-1/4"	RIR-0630-20				
8"	2"	500	1/2"	RIR-0820-08		2-7/16"	6.3	
			5/8"	RIR-0820-10				
			3/4"	RIR-0820-12				
8"	2-1/2"	670	3/4"	RIR-0825-12-YY		3"	11.1	
			1"	RIR-0825-16-YY				
			1"	RIR-0825-16-YY-SI				
			1-1/4"	RIR-0825-20-YY		3-1/2"		11.5
			3/4"	RIR-0825-12				
			1"	RIR-0825-16				
8"	3"	840	3/4"	RIR-0830-12		3-1/2"	13.0	
			1"	RIR-0830-16				
			1"	RIR-0830-16-SI				
			1-1/4"	RIR-0830-20				

SPECIFICATIONS							
Wheel Diameter	Wheel Width	lbs. Capacity	Axle Diameter	Straight Roller Bearing	Tapered Roller Bearing	Hub Length	Approx Weight
10"	2-1/2"	790	3/4"	RIR-1025-12-YY	RIT-1025-12-YY	3"	13.0
			1"	RIR-1025-16-YY	RIT-1025-16-YY		
			1"	RIR-1025-16-YY-SI			
			1-1/4"	RIR-1025-20-YY			
10"	3"	1000	3/4"	RIR-1025-12	RIT-1025-12	3-1/2"	15.0
			1"	RIR-1025-16	RIT-1025-16		
			1"	RIR-1025-16-SI			
			1-1/4"	RIR-1025-20			
10"	4"	1400	3/4"	RIR-1030-12	RIT-1030-12	3-1/2"	15.0
			1"	RIR-1030-16	RIT-1030-16		
			1"	RIR-1030-16-SI			
			1-1/4"	RIR-1030-20			
10"	4"	1400	3/4"	RIR-1040-12	RIT-1040-12	4-1/2"	30.0
			1"	RIR-1040-16-SI	RIT-1040-16		
			1-1/4"	RIR-1040-20	RIT-1040-20		
			1-1/2"	RIR-1040-24	RIT-1040-24		
11"	5"	1760	1-1/4"	RIR-1150-20	RIT-1150-20	5-1/2"	42.0
12"	2-1/2"	900	3/4"	RIR-1225-12	RIT-1225-12	3-1/2"	16.0
			1"	RIR-1225-16	RIT-1225-16		
			1"	RIR-1225-16-SI			
			1 1/4"	RIR-1225-20			
12"	3"	1140	3/4"	RIR-1230-12	RIT-1230-12	3-1/2"	21.0
			1"	RIR-1230-16	RIT-1230-16		
			1"	RIR-1230-16-SI			
			1-1/4"	RIR-1230-20			
12"	4"	1600	1"	RIR-1240-16-SI	RIT-1240-16	4-1/2"	26.0
			1-1/4"	RIR-1240-20	RIT-1240-20		
			1-1/4"	RIR-1240-20-SI			
			1-1/2"	RIR-1240-24	RIT-1240-24		
12"	5"	2050	1-1/4"	RIR-1250-20	RIT-1250-20	5-1/2"	40.0
16"	3"	1420	3/4"	RIR-1630-12	RIT-1630-12	3-1/2"	32.0
			1"	RIR-1630-16	RIT-1630-16		
			1"	RIR-1630-16-SI			
			1-1/4"	RIR-1630-20			
18"	3"	1580	3/4"	RIR-1830-12	RIT-1830-12	3-1/2"	42.0
			1"	RIR-1830-16	RIT-1830-16		
			1"	RIR-1830-16-SI			
			1-1/4"	RIR-1830-20			
18"	5"	2800	1-1/4"	RIR-1850-20	RIT-1850-20	5-1/2"	50.0
			1-1/2"	RIR-1850-24	RIT-1850-24		

UP TO 2,800 POUND CAPACITY

Elastomeric High Tensile Wheels

Mold-On Rubber Wheels



SRO-3512-06

RWM Soft Rubber wheels are a good choice for those applications where the average load is light with occasional loads using the full capacity of the wheel. Soft Rubber wheels are manufactured of quality materials with a resilient rubber tread bonded to the hard rubber core. These wheels are an economical choice for moving equipment.

FEATURES	
Wheel Bearing	Choice of straight roller bearing or oilite bearings
Temperature Range	-40°F to 120°F

SPECIFICATIONS							
Wheel Diameter	Wheel Width	Capacity lbs.	Axle Diameter	Straight Roller Bearing	Plain, Oilite, Celcon Bearing	Hub Length	Approx Weight lbs.
3"	1-1/4"	150	5/16" 3/8"		SRO-0312-05 SRO-0312-06	1-1/2"	0.7
3-1/2"	1-1/4"	150	5/16" 3/8"		SRO-3512-05 SRO-3512-06	1-1/2"	0.8
4"	1-1/4"	180	5/16" 3/8"		SRO-0412-05 SRO-0412-06	1-1/2"	1.1
4"	1-1/2"	200	1/2" 5/8" 3/4"	SRR-0415-08 SRR-0415-10 SRR-0415-12	SRO-0415-08 SRO-0415-10	1-7/8"	1.3
5"	1-1/4"	200	5/16" 3/8"		SRO-0512-05 SRO-0512-06	1-1/2"	1.6

OPTIONS	
DC	Dust Cover
TG	Thread Guards
WS	Wheel Seals

UP TO 280 POUND CAPACITY

Soft and Hard Rubber Wheels
Up and Pinnacle Wheels

Hard Rubber Wheels



HRO-3512-06

RWM Hard Rubber wheels are used where low cost, easy rolling wheels are required. Hard Rubber wheels offer good floor protection, are quieter than steel wheels, and are strong and chip resistant.

FEATURES	
Wheel Bearing	Oilite bearings
Temperature Range	-30°F to 160°F

SPECIFICATIONS						
Wheel Diameter	Wheel Width	Capacity lbs.	Axle Diameter	Plain, Oilite, Celcon Bearing	Hub Length	Approx Weight lbs.
3"	1-1/4"	250	5/16"	HRO-0312-05-SI	1-1/2"	0.8
			3/8"	HRO-0312-06		
3-1/2"	1-1/4"	250	5/16"	HRO-3512-05	1-1/2"	1.0
			3/8"	HRO-3512-06		
4"	1-1/4"	260	5/16"	HRO-0412-05	1-1/2"	1.2
			3/8"	HRO-0412-06		
5"	1-1/4"	280	5/16"	HRO-0512-05	1-1/2"	1.7
			3/8"	HRO-0512-06		

OPTIONS	
DC	Dust Cover

Polyurethane is mechanically bonded to a high density polypropylene core. This mechanical bond eliminates bond separation due to wet conditions. The tread material is 95 durometer Shore A and provides excellent rollability with a non-marking compound. The UP wheel provides a smooth ride over rough surfaces.



UPR-0820-19



UPC-0312-05

FEATURES	
Wheel Bearing	Choice of straight roller, ball or celcon.
Temperature Range	-40° to +175°F
Hardness	95 durometer Shore A

SPECIFICATIONS

Wheel Diameter	Wheel Width	Capacity lbs.	Axle Diameter	Straight Roller Bearing	Ball Bearing	Plain, Oilite, Celcon Bearing	Hub Length	Approx Weight lbs.
3"	1-1/4"	225	5/16" 3/8"		UPB-0312-05 UPB-0312-06	UPC-0312-05 UPC-0312-06	1-1/2"	0.5
3-1/2"	1-1/4"	250	5/16" 3/8"		UPB-3512-05 UPB-3512-06	UPC-3512-05 UPC-3512-06	1-1/2"	0.6
4"	1-1/4"	275	5/16" 3/8"		UPB-0412-05 UPB-0412-06	UPC-0412-05 UPC-0412-06	1-1/2"	0.7
4"	1-1/2"	500	1/2" 5/8" 3/4"	UPR-0415-08 UPR-0415-10 UPR-0415-12	UPB-0415-08	UPC-0415-08 UPC-0415-10 UPC-0415-12	1-7/8"	1.2
4"	2"	600	1/2" 5/8" 3/4"	UPR-0420-08 UPR-0420-10 UPR-0420-12	UPB-0420-08	UPC-0420-08 UPC-0420-10 UPC-0420-12	2-7/16"	1.4
5"	1-1/4"	300	5/16" 3/8"		UPB-0512-05 UPB-0512-06	UPC-0512-05 UPC-0512-06	1-1/2"	1.3
5"	1-1/2"	700	1/2" 5/8" 3/4"	UPR-0515-08 UPR-0515-10 UPR-0515-12	UPB-0515-08	UPC-0515-08 UPC-0515-10 UPC-0515-12	1-7/8"	1.4
5"	2"	750	1/2" 5/8" 3/4"	UPR-0520-08 UPR-0520-10 UPR-0520-12	UPB-0520-08	UPC-0520-08 UPC-0520-10 UPC-0520-12	2-7/16"	1.7
6"	1-1/2"	800	1/2" 5/8" 3/4"	UPR-0615-08 UPR-0615-10 UPR-0615-12	UPB-0615-08	UPC-0615-08 UPC-0615-10 UPC-0615-12	1-7/8"	2.3
6"	2"	900	1/2" 5/8" 3/4"	UPR-0620-08 UPR-0620-10 UPR-0620-12	UPB-0620-08	UPC-0620-08 UPC-0620-10 UPC-0620-12	2-7/16"	4.1
8"	2"	1000	1/2" 5/8" 3/4"	UPR-0820-08 UPR-0820-10 UPR-0820-12	UPB-0820-08	UPC-0820-08 UPC-0820-10 UPC-0820-12	2-7/16"	3.2

OPTIONS

- TG** Thread Guard*
- WS** Wheel Seals
- ZF** Zerk Fitting

*Thread guards are available on some models. Consult factory for specific wheel sizes.

UP TO 1,000 POUND CAPACITY

UP and Pinnacle Wheels
Soft and Hard Rubber Wheels

Pinnacle Wheels

RWM's Pinnacle Wheel is an ultra-tough thermoplastic non-marking wheel. It is extremely durable, deflects floor debris and has high impact resistance. The Pinnacle Wheel rolls easily with heavy loads and requires less force to roll and swivel than other hard tread wheels. This economical wheel is extremely resistant to water, most chemicals, solvents, salts and steam cleaning.



SPECIFICATIONS							
Wheel Diameter	Wheel Width	Capacity lbs.	Axle Diameter	Straight Roller Bearing	Plain, Oilite, Celcon Bearing	Hub Length	Approx Weight lbs.
4"	2"	800	1/2"	PNR-0420-08	PNC-0420-08	2-7/16"	1.06
			5/8"	PNR-0420-10	PNC-0420-10		
			3/4"	PNR-0420-12	PNC-0420-12		
5"	2"	1000	1/2"	PNR-0520-08	PNC-0520-08	2-7/16"	1.27
			5/8"	PNR-0520-10	PNC-0520-10		
			3/4"	PNR-0520-12	PNC-0520-12		
6"	2"	1200	1/2"	PNR-0620-08	PNC-0620-08	2-7/16"	1.54
			5/8"	PNR-0620-10	PNC-0620-10		
			3/4"	PNR-0620-12	PNC-0620-12		
8"	2"	1400	1/2"	PNR-0820-08	PNC-0820-08	2-7/16"	2.10
			5/8"	PNR-0820-10	PNC-0820-10		
			3/4"	PNR-0820-12	PNC-0820-12		

FEATURES

- Wheel Bearing** - Choice of straight roller or celcon bearings
- Temperature Range** - -40° to +350°F
- Hardness** - 85 D Shore



UAR-0620-19

RWM urethane on aluminum core wheels roll easier and outlast rubber wheels. RWM urethane treads are liquid cast and chemically bonded to our aluminum cores. We crown the wheels slightly to reduce the energy needed to turn the wheel when under a heavy load. All RWM urethane tread wheels offer capacities approaching those of steel wheels, outstanding abrasion resistance, oil, and chemical resistance. In addition, these wheels are non-marking and protect floors. Many have found these wheels provide excellent rollability and are versatile enough to use on a variety of floor surfaces. Our Premium **PTMEG** urethane provides longer service life, better wear and tear characteristics and rejects floor debris.

FEATURES	
Wheel Bearing	Choice of straight roller, or celcon bearing
Hub Length	Can be lengthened or shortened to order
Temperature Range	-40° to +180°F
Hardness	92 durometer Shore A

SPECIFICATIONS									OPTIONS		
Wheel Diameter	Wheel Width	lbs. Capacity	Axle Diameter	Urethane Thickness	Straight Roller Bearing	Plain, Oilite, Celcon Bearing	Hub Length	Approx Weight	TG	WS	ZF
3-1/2"	1-1/2"	420	1/2"	5/16"	UAR-3515-08	UAC-3515-08	1-7/8"	1.1			
			5/8"		UAR-3515-10	UAC-3515-10					
			3/4"		UAR-3515-12	UAC-3515-12					
4"	1-1/2"	600	1/2"	1/2"	UAR-0415-08	UAC-0415-08	1-7/8"	1.2			
			5/8"		UAR-0415-10	UAC-0415-10					
			3/4"		UAR-0415-12	UAC-0415-12					
4"	2"	700	1/2"	1/2"	UAR-0420-08	UAC-0420-08	2-7/16"	1.6			
			5/8"		UAR-0420-10	UAC-0420-10					
			3/4"		UAR-0420-12	UAC-0420-12					
5"	1-1/2"	720	1/2"	1/2"	UAR-0515-08	UAC-0515-08	1-7/8"	1.6			
			5/8"		UAR-0515-10	UAC-0515-10					
			3/4"		UAR-0515-12	UAC-0515-12					
5"	2"	1050	1/2"	7/16"	UAR-0520-08	UAC-0520-08	2-7/16"	2.0			
			5/8"		UAR-0520-10	UAC-0520-10					
			3/4"		UAR-0520-12	UAC-0520-12					
6"	2"	1230	1/2"	3/8"	UAR-0620-08	UAC-0620-08	2-7/16"	2.4			
			5/8"		UAR-0620-10	UAC-0620-10					
			3/4"		UAR-0620-12	UAC-0620-12					
8"	2"	1500	1/2"	7/16"	UAR-0820-08	UAC-0820-08	2-7/16"	3.4			
			5/8"		UAR-0820-10	UAC-0820-10					
			3/4"		UAR-0820-12	UAC-0820-12					

UP TO 1,500 POUND CAPACITY
Urethane on Aluminum Wheels
Urethane on Iron Wheels

Urethane on Iron Wheels

RWM urethane on iron wheels are liquid cast and chemically bonded to our machined cast iron cores. Careful attention is made during the bonding process to assure that each urethane on iron wheel meets or exceeds RWM's high standards of performance. They will outlast rubber wheels. In addition, these wheels are non marking to floors. Urethane wheels also provide outstanding abrasion resistance and are resistant to most chemicals and oils. Our Premium **PTMEG** urethane provides longer service life, better wear and tear characteristics and rejects floor debris. All wheels up to 8x2½" wide are standard crown tread.



UIR-0615-19

FEATURES	
Wheel Bearing	Choice of straight roller, annular ball bearing, celcon or precision tapered bearing
Temperature Range	-40°to+180°F
Hub Length	Can be shortened or lengthened to order
Lubrication Fittings	Standard on 2-1/2" and wider wheels
Keywords	Can be installed on most sizes
Hardness	92 durometer shore A

OPTIONS	
70D	Optional Durometer
80A	Optional Durometer
TG	Thread Guard
WS	Wheel Seals
ZF	Zerk Fittings

SPECIFICATIONS											
Wheel Diameter	Wheel Width	Lbs. Capacity	Urethane Thickness	Axis Diameter	Straight Roller Bearing	Ball Bearing	Tapered Roller Bearing	Plain, Oilite, Celcon Bearing	Hub Length	Approx. Weight	lbs.
3-1/2"	1-1/4"	400	1/4"	5/16"		UIB-3512-05			1-15/32"	1.7	
4"	1-1/4"	420	1/2"	5/16"		UIB-0412-05			1-15/32"	2.0	
4"	1-1/2"	600	3/8"	3/8"	UIR-0415-06	UIB-0415-06		UIC-0415-06	1-7/8"	2.6	
				1/2"	UIR-0415-08	UIB-0415-08	UIC-0415-08				
				5/8"	UIR-0415-10		UIC-0415-10				
				3/4"	UIR-0415-12		UIC-0415-12				
4"	2"	700	7/16"	1/2"	UIR-0420-08			UIC-0420-08	2-7/16"	3.2	
				5/8"	UIR-0420-10		UIC-0420-10				
				3/4"	UIR-0420-12		UIC-0420-12				
4-1/2"	2-1/2"	1200	3/8"	3/4"	UIR-4525-12		UIT-4525-12	3-1/2"	5.9		
5"	1-1/4"	480	3/8"	5/16"		UIB-0512-05			1-15/32"	2.2	
5"	1-1/2"	720	3/8"	3/8"	UIR-0515-06	UIB-0515-06		UIC-0515-06	1-7/8"	3.7	
				1/2"	UIR-0515-08	UIB-0515-08	UIC-0515-08				
				5/8"	UIR-0515-10		UIC-0515-10				
				3/4"	UIR-0515-12		UIC-0515-12				
5"	2"	1050	3/8"	1/2"	UIR-0520-08			UIC-0520-08	2-7/16"	4.2	
				5/8"	UIR-0520-10		UIC-0520-10				
				3/4"	UIR-0520-12		UIC-0520-12				
6"	1-1/2"	840	3/8"	3/8"	UIR-0615-06	UIB-0615-06		UIC-0615-06	1-7/8"	4.5	
				1/2"	UIR-0615-08	UIB-0615-08	UIC-0615-08				
				5/8"	UIR-0615-10		UIC-0615-10				
6"	2"	1230	1/2"	1/2"	UIR-0620-08	UIB-0620-08		UIC-0620-08	2-7/16"	5.1	
				5/8"	UIR-0620-10	UIB-0620-10	UIC-0620-10				
				3/4"	UIR-0620-12	UIB-0620-12	UIC-0620-12				
6"	2-1/2"	1620	3/8"	3/4"	UIR-0625-12-YY		UIT-0625-12-YY		3"	10.2	
				1"	UIR-0625-16-YY		UIT-0625-16-YY				
				1"	UIR-0625-16-YYSI						
				1-1/4"	UIR-0625-20-YY						
				3/4"	UIR-0625-12		UIT-0625-12				
6"	3"	2000	1/2"	1"	UIR-0625-16		UIT-0625-16		3-1/2"	12.5	
				1"	UIR-0625-16-SI						
				1-1/4"	UIR-0625-20						
				3/4"	UIR-0630-12		UIT-0630-12				
				1"	UIR-0630-16		UIT-0630-16				
8"	2"	1500	7/16"	1/2"	UIR-0820-08	UIB-0820-08		UIC-0820-08	2-7/16"	8.2	
				5/8"	UIR-0820-10	UIB-0820-10	UIC-0820-10				
				3/4"	UIR-0820-12	UIB-0820-12	UIC-0820-12				
8"	2-1/2"	1800	3/8"	3/4"	UIR-0825-12-YY		UIT-0825-12-YY		3"	11.0	
				1"	UIR-0825-16-YY		UIT-0825-16-YY				
				1"	UIR-0825-16-YYSI						
				1-1/4"	UIR-0825-20-YY						
				3/4"	UIR-0825-12		UIT-0825-12				
8"	3"	2500	1/2"	1"	UIR-0825-16		UIT-0825-16		3-1/2"	13.4	
				1"	UIR-0825-16-SI						
				1-1/4"	UIR-0825-20						
				3/4"	UIR-0830-12		UIT-0830-12				
				1"	UIR-0830-16		UIT-0830-16				
8"	4"	3500	1/2"	1"	UIR-0840-16-SI		UIT-0840-16		4-1/2"	24.0	
				1-1/4"	UIR-0840-20		UIT-0840-20				
				1-1/4"	UIR-0840-20-SI						
				1-1/2"	UIR-0840-24		UIT-0840-24				
10"	2-1/2"	2370	1/2"	3/4"	UIR-1025-12-YY		UIT-1025-12-YY		3"	17.3	
				1"	UIR-1025-16-YY		UIT-1025-16-YY				
				1-1/4"	UIR-1025-20-YY						
				1"	UIR-1025-16-YYSI						
				3/4"	UIR-1025-12		UIT-1025-12				
10"	2-1/2"	2370	1/2"	1"	UIR-1025-16		UIT-1025-16		3-1/2"	19.0	
				1"	UIR-1025-16-SI						
				1-1/4"	UIR-1025-20						
				1-1/4"	UIR-1025-20-SI						

SPECIFICATIONS											
Wheel Diameter	Wheel Width	Lbs. Capacity	Urethane Thickness	Axis Diameter	Straight Roller Bearing	Ball Bearing	Tapered Roller Bearing	Plain, Oilite, Celcon Bearing	Hub Length	Approx. Weight	lbs.
10"	3"	3000	1/2"	3/4"	UIR-1030-12			UIT-1030-12			
10"	4"	4200	1"	1"	UIR-1030-16			UIT-1030-16			3-1/2"
				1-1/4"	UIR-1030-16-SI			UIT-1030-20			
				1"	UIR-1040-16-SI			UIT-1040-16			
10"	5"	5000	1/2"	1-1/4"	UIR-1040-20			UIT-1040-20			4-1/2"
				1-1/4"	UIR-1040-20-SI			UIT-1040-24			
				1-1/2"	UIR-1040-24			UIT-1050-16			
10"	6"	6000	1"	1"	UIR-1050-16-SI			UIT-1050-16			5-1/2"
				1-1/4"	UIR-1050-20			UIT-1050-20			
				1-1/2"	UIR-1050-20-SI			UIT-1050-24			
12"	2-1/2"	2700	1/2"	3/4"	UIR-1225-12-YY			UIT-1225-12-YY			3"
				1"	UIR-1225-16-YY			UIT-1225-16-YY			
				1"	UIR-1225-16-YYSI						
12"	3"	3400	1/2"	1-1/4"	UIR-1225-20-YY						28.8
				3/4"	UIR-1230-12			UIT-1230-12			
				1"	UIR-1230-16			UIT-1230-16			
12"	3-1/2"	4100	1"	1-1/4"	UIR-1230-20			UIT-1230-20			31.5
				1"	UIR-1230-16-SI			UIT-1235-20			
				1-1/4"	UIR-1235-20			UIT-1235-20			
12"	4"	4800	1"	1-1/4"	UIR-1240-16-SI			UIT-1240-16			35.6
				1-1/4"	UIR-1240-20			UIT-1240-20			
				1-1/4"	UIR-1240-20-SI			UIT-1240-24			
12"	5"	6000	1"	1-1/2"	UIR-1240-24			UIT-1240-24			32.0
				1"	UIR-1250-16-SI			UIT-1250-16			
				1-1/4"	UIR-1250-20			UIT-1250-20			
12"	6"	7500	3/8"	1-1/4"	UIR-1250-20-SI			UIT-1250-24			65.0
				1-1/2"	UIR-1250-24			UIT-1260-16			
				1"	UIR-1260-16-SI			UIT-1260-16			
14"	3"	4300	1"	1-1/4"	UIR-1260-20			UIT-1260-20			70.0
				1-1/2"	UIR-1260-24			UIT-1430-12			
				3/4"	UIR-1430-12			UIT-1430-16			
14"	6"	7800	1-1/2"	1"	UIR-1430-16			UIT-1430-16			28.6
				1"	UIR-1430-16-SI						
				1-1/4"	UIR-1430-20			UIT-1460-20			
16"	4"	6000	1"	1-1/4"	UIR-1460-20			UIT-1460-20			69.0
				1"	UIR-1640-16-SI			UIT-1640-16			
				1-1/4"	UIR-1640-20			UIT-1640-20			
16"	5"	8400	1"	1-1/4"	UIR-1640-20-SI			UIT-1640-24			51.0
				1-1/2"	UIR-1640-24			UIT-1650-16			
				1"	UIR-1650-16-SI			UIT-1650-16			
16"	5"	8400	1"	1-1/4"	UIR-1650-20			UIT-1650-20			70.0
				1 1/4"	UIR-1650-20-SI						
				1-1/2"	UIR-1650-24			UIT-1650-24			
18"	5"	8600	1"	1"	UIR-1850-16-SI			UIT-1850-16			90.0
				1-1/4"	UIR-1850-20			UIT-1850-20			
				1-1/2"	UIR-1850-24			UIT-1850-24			
20"	5"	9000	2"	1"	UIR-2050-16-SI			UIT-2050-16			100.0
				1-1/4"	UIR-2050-20			UIT-2050-20			
				1-1/2"	UIR-2050-20-SI			UIT-2050-24			

UP TO 9,000 POUND CAPACITY

Urethane on Iron Wheels

Urethane on Aluminum Wheels

UP TO 4,100 POUND CAPACITY



UOR-0820-19

The Omega Wheel is a patented urethane wheel developed for caster applications. This polyurethane wheel achieves its load bearing and enhanced impact absorbing capabilities through a patented web/spoke design. When the wheel encounters an obstacle, it flexes, cushioning the load, and rebounds to its original shape. This design has been optimized to carry high loads at high speeds.

- Retains bond at high speeds
- Omega tread resists chunking and tearing
- Eliminates need for spring loaded casters
- Reduces noise more than standard polyurethane wheels
- Tested and engineered for 5 years
- Resists picking up metal chips
- Omega wheels are built to industry standards and can be retrofitted to any caster rig using the same size wheels

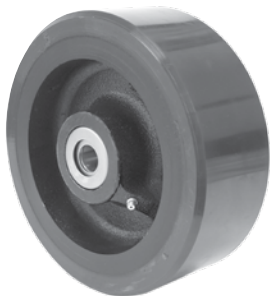
FEATURES	
Wheel Bearing	Choice of straight roller bearing, tapered or ball bearings
Temperature Range	-40°F to 180°F
Hardness	95 Durometer Shore A

SPECIFICATIONS								
Wheel Diameter	Wheel Width	lbs. Capacity	Axle Diameter	Straight Roller Bearing	Ball Bearing	Tapered Roller Bearing	Hub Length	lbs. Approx Weight
6"	2"	1000	1/2"	UOR-0620-08	UOB-0620-08	UOT-0620-08	2-7/16"	5.0
			3/4"	UOR-0620-12	UOB-0620-12	UOT-0620-12		
8"	2"	1200	1/2"	UOR-0820-08	UOB-0820-08	UOT-0820-08	2-7/16"	9.0
			3/4"	UOR-0820-12	UOB-0820-08-SPB	UOT-0820-12		
8"	3"	1600	3/4"	UOR-0830-12		UOT-0830-12	3-1/2"	13.0
			1"	UOR-0830-16		UOT-0830-16		
			1-1/4"			UOT-0830-20		
10"	3"	2000	3/4"	UOR-1030-12	UOB-1030-12	UOT-1030-12	3-1/2"	21.2
			1"	UOR-1030-16		UOT-1030-16		
			1-1/4"			UOT-1030-20		

6" UOB sealed only
8" UOB sealed or "A" bearing
10" UOB sealed only

Whisper Wheels

Omega & Whisper Wheels Solid Urethane Wheels



UWT-0830-12

The Whisper Wheel is a unique design in which one inch of urethane is molded to a specially machined cast iron core. The core is uniquely machined and the urethane is then mechanically and chemically bonded to the core. This unique design provides you with a wheel that:

- Is longer wearing than standard urethane wheel designs
- Resists lateral delamination of the tread
- Reduces noise and provides a quiet ride

Our Premium **PTMEG** urethane provides longer service life, better wear and tear characteristics and rejects floor debris.

FEATURES	
Wheel Bearing	Choice of straight roller bearing, tapered or ball bearings
Temperature Range	-40°F to 180°F
Hardness	92 Durometer Shore A
Bores	Sizes can be altered
Keywords	Can be installed on most sizes

SPECIFICATIONS										OPTIONS		
Wheel Diameter	Wheel Width	Urethane Thickness	Capacity		Axle Diameter	Straight Roller Bearing	Ball Bearing	Tapered Roller Bearing	Hub Length	lbs. Approx. Weight	70D	Optional Durometer
			92A	90A								
8"	2"	1"	1500	1500	1/2"	UWR-0820-08	UWB-0820-08	UWT-0820-08	2-7/16"	10		
					5/8"	UWR-0820-10		UWT-0820-10				
					3/4"	UWR-0820-12		UWT-0820-12				
8"	3"	3/4"	3000	3000	3/4"	UWR-0830-12	UWB-0830-12	UWT-0830-12	3-1/2"	20		
					1"	UWR-0830-16		UWT-0830-16				
					1"	UWR-0830-16-SI		UWT-0830-16				
10"	3"	1"	3410	3410	1-1/4"	UWR-0830-20		UWT-0830-20	3-1/2"	23		
					3/4"	UWR-1030-12	UWB-1030-12	UWT-1030-12				
					1"	UWR-1030-16		UWT-1030-16				
12"	3"	1"	4100	4100	1"	UWR-1030-16-SI		UWT-1030-16	3-1/2"	31		
					1-1/4"	UWR-1030-20		UWT-1030-20				
					3/4"	UWR-1230-12	UWB-1230-12	UWT-1230-12				
					1"	UWR-1230-16	UWB-1230-16	UWT-1230-16				
					1"	UWR-1230-16-SI		UWT-1230-16				
					1-1/4"	UWR-1230-20		UWT-1230-20				

- 70D** Optional Durometer
- 80A** Optional Durometer
- 90A** Optional Durometer
- TG** Thread Guard on 2" wheels
- WS** Wheel Seals
- ZF** Zerk Fittings

The Solid Urethane Wheels offer quiet operation and rollability. This non-marking wheel is resistant to grease, oil, chemicals and moisture. In addition, it is also resistant to chunking, cutting and abrasive wear.



SUB-0820-40-MM

FEATURES	
Wheel Bearing	Choice of straight roller, celcon and ball bearings
Hub Length	Can be shortened or lengthened to order
Temperature Range	-40°F to 180°F
Hardness	SU wheel is 75 durometer Shore D, MU wheel is 70 durometer Shore D

SU - Standard Solid Urethane Wheel - color blue
MU - High Performance Solid Urethane Wheel - color black

SPECIFICATIONS								
Wheel Diameter	Wheel Width	lbs. Capacity	Axle Diameter	Straight Roller Bearing	Ball Bearing	Plain, Oilite, Celcon Bearing	Hub Length	lbs. Approx Weight
4"	2"	500	1/2"	SUR-0420-08		SUC-0420-08	2-7/16"	1.1
			5/8"	SUR-0420-10		SUC-0420-10		
			3/4"	SUR-0420-12		SUC-0420-12		
5"	2"	900	1/2"	SUR-0520-08	SUB-0520-08	SUC-0520-08	2-7/16"	1.4
			5/8"	SUR-0520-10		SUC-0520-10		
			3/4"	SUR-0520-12		SUC-0520-12		
6"	2"	900	1/2"	SUR-0620-08	SUB-0620-08	SUC-0620-08	2-7/16"	1.8
			5/8"	SUR-0620-10		SUC-0620-10		
			3/4"	SUR-0620-12		SUC-0620-12		
6"	3"	1650	3/4"	SUR-0630-12	SUB-0630-12		3-1/2"	5.0
			1"	SUR-0630-16	SUB-0630-16			
			1-1/4"	SUR-0630-20				
8"	2"	1050	1/2"	SUR-0820-08	SUB-0820-08	SUC-0820-08	2-7/16"	2.9
			5/8"	SUR-0820-10		SUC-0820-10		
			3/4"	SUR-0820-12		SUC-0820-12		
8"	3"	1650	3/4"	SUR-0830-12	SUB-0830-12		3-1/2"	7.0
			1"	SUR-0830-16	SUB-0830-16			
			1-1/4"	SUR-0830-20				
10"	3"	2000	3/4"	SUR-1030-12	SUB-1030-12		3-1/2"	10.0
			1"	SUR-1030-16	SUB-1030-16			
			1-1/4"	SUR-1030-20				
10"	3"	3000	3/4"		MUB-1030-12		3-1/2"	10.0
			1"		MUB-1030-16			
			1-1/4"					

OPTIONS

- TG** Thread Guard on 2" wheels
- WS** Wheel Seals

The solid urethane wheels can be used for the following series of rigs to make durable, long-lasting casters.

- SU** 46 Series
- 47 Series
- 48 Series
- 52 Series
- MU** 65 Series
- 70 Series
- 75 Series
- 76 Series

UP TO 1,600 POUND CAPACITY

Solid Urethane Wheels
Omega & Whisper Wheels



UAB-0621-08-80A

The Torus Wheel™ offers a rounded tread that provides easy turning under heavy loads. The Torus Wheel™ features two urethane treads, 80 and 92, on the Shore-A scale that are mechanically and chemically bonded to a light-weight sturdy aluminum core. It is great for tow line applications.

FEATURES	
Wheel Bearing	Sealed precision bearing
Temperature Range	-40°F to 180°F
Hardness	Blue Wheel: 92 durometer shore A
Hardness	Green Wheel: 80 durometer shore A

SPECIFICATIONS						
Wheel Diameter	Wheel Width	lbs. Capacity	Axle Diameter	Sealed Precision Ball Bearing	Hub Length	Approx Weight lbs.
6"	2"	1230	1/2"	UAB-0621-08-92A	2-7/16"	3.1
8"	2"	1500	1/2"	UAB-0821-08-92A	2-7/16"	4.7

Full Pneumatic Wheels



FNR-1648-20

Full Pneumatic wheels offer the maximum in floor protection and move freely over obstructions and rough floors. These wheels provide smooth, shock-resistant operation for delicate instruments and breakable components. Full Pneumatic wheels are suggested for indoor and outdoor use where product protection is required.

FEATURES	
Wheel Bearing	Choice of straight rollers, annular ball or tapered

SPECIFICATIONS									
Wheel Diameter	Wheel Width	Ply Rating	lbs. Capacity	Axle Diameter	Straight Roller Bearing	Ball Bearing	Tapered Roller Bearing	Hub Length	Approx Weight
9.0"	2.80/4	4	300	1/2"	FNR-0828-08	FNB-0828-08		3-1/2"	4.5
				3/4"	FNR-0828-12	FNB-0828-12			
10.9"	4.10/4	4	480	1/2"	FNR-1041-08	FNB-1041-08		3-1/2"	5.5
				3/4"	FNR-1041-12		FNT-1041-12		
				1"	FNR-1041-16				
13.0"	4.10/6	4	500	3/4"	FNR-1241-12	FNB-1241-12	FNT-1241-12	4-1/2"	6.5
				1"	FNR-1241-16				
15.1"	5.30/6	4	870	3/4"	FNR-1448-12	FNB-1448-12		4-1/2"	9.0
				1"	FNR-1448-16				
16.3"	4.80/8	4	1000	1"	FNR-1648-16		FNT-1648-16	4-1/2"	12.0
				1-1/4"	FNR-1648-20				
18.4"	5.70/8	4	1170	1"			FNT-1857-16	4-1/2"	15.0
				1-1/4"	FNR-1857-20				
21.0"	6.90/9	10	2420	1-1/4"			FNT-2169-20	7"	37.5
23.5"	6.50/10	10	2775	1-1/4"			FNT-2365-20	8"	38.0
25.7"	7.50/10	10	3630	1-1/4"			FNT-2575-20	9"	40.0

OPTIONS	
FF	Foam Filled
WS	Wheel Seals
ZF	Zerk Fitting

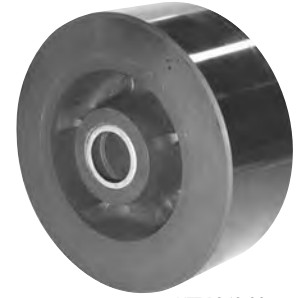
Capacity rating is for manual operation. For capacities of power moved loads, please consult the factory. Full Pneumatic Wheels must be inflated as specified.

For larger diameter, higher capacity pneumatic wheels, please consult the factory.

UP TO 1,500 POUND CAPACITY

Torus and Full Pneumatic Wheels
Ultra Thick Urethane Wheels

Ultra Thick Urethane wheels solve performance applications previously requiring press-on wheels. The thick tread reduces contact stresses in the polyurethane during high loading and towing, which reduces tread chunking. These liquid cast wheels feature a chemical and mechanical lock between the core and the urethane. These wheels provide a softer ride and quiet operation due to tread thickness and are good for towing applications. In addition, these wheels are non-marking to floors, provide outstanding abrasion resistance, and are resistant to most chemicals. Our Premium PTMEG urethane provides longer service life, better wear and tear characteristics and rejects floor debris.



UTT-1040-20

UP TO 10,300 POUND CAPACITY

Ultra Thick Urethane Wheel
Torus and Full Pneumatic Wheels

FEATURES	
Wheel Bearing	Choice of straight roller bearing or tapered roller bearing
Temperature Range	-40° to 180°F
Hub Length	Can be shortened or lengthened to order
Hardness	92 durometer Shore A
Bores	Sizes can be altered
Keywords	Can be installed on most sizes

SPECIFICATIONS								
Wheel Diameter	Wheel Width	Capacities at 3mph/6mph/10mph	Axle Diameter	Urethane Thickness	Straight Roller Bearing	Tapered Roller Bearing	Hub Length	lbs. Approx Weight
8"	3"	2600/2300/1600	3/4"	1-1/2"	UTR-0830-12	UTT-0830-12	3-1/2"	18.0
			1"		UTR-0830-16	UTT-0830-16		
10"	3"	3400/2800/2000	1-1/4"	1-1/2"	UTR-0830-20	UTT-0830-20	3-1/2"	21.0
			3/4"		UTR-1030-12	UTT-1030-12		
			1"		UTR-1030-16	UTT-1030-16		
			1-1/4"		UTR-1030-20	UTT-1030-20		
10"	4"	4500/3800/2700	1-1/2"	1-1/2"	UTR-1030-24	UTT-1030-24	4-1/2"	45.0
			1"		UTR-1040-16	UTT-1040-16		
			1-1/4"		UTR-1040-20	UTT-1040-20		
12"	3"	4100/3400/2600	1-1/2"	2"	UTR-1040-24	UTT-1040-24	3-1/2"	38.0
			3/4"		UTR-1230-12	UTT-1230-12		
			1"		UTR-1230-16	UTT-1230-16		
12"	4"	5300/4300/3000	1-1/4"	2"	UTR-1230-20	UTT-1230-20	4-1/2"	43.0
			1"		UTR-1230-24	UTT-1230-24		
			1-1/2"		UTR-1240-16	UTT-1240-16		
12"	5"	6500/5300/3600	1-1/2"	1-1/2"	UTR-1240-20	UTT-1240-20	5-1/2"	64.0
			1"		UTR-1240-24	UTT-1240-24		
			1-1/4"		UTR-1250-16	UTT-1250-16		
14"	3"	4800/4300/3000	1-1/2"	1"	UTR-1250-20	UTT-1250-20	3-1/2"	46.0
			3/4"		UTR-1250-24	UTT-1250-24		
			1"		UTR-1430-12	UTT-1430-12		
14"	4"	6200/4800/3400	1-1/4"	2"	UTR-1430-16	UTT-1430-16	4-1/2"	58.0
			1"		UTR-1430-20	UTT-1430-20		
			1-1/2"		UTR-1430-24	UTT-1430-24		
14"	5"	7600/6400/4500	1"	2"	UTR-1440-16	UTT-1440-16	5-1/2"	65.0
			1-1/4"		UTR-1440-20	UTT-1440-20		
			1-1/2"		UTR-1440-24	UTT-1440-24		
14"	6"	9000/7800/5300	1"	1-3/8"	UTR-1450-16	UTT-1450-16	6-1/2"	88.0
			1-1/4"		UTR-1450-20	UTT-1450-20		
			1-1/2"		UTR-1450-24	UTT-1450-24		
16"	3"	5400/4600/3200	3/4"	2"	UTR-1460-16	UTT-1460-16	3-1/2"	32.0
			1"		UTR-1630-12	UTT-1630-12		
			1-1/4"		UTR-1630-16	UTT-1630-16		
			1-1/2"		UTR-1630-20	UTT-1630-20		
16"	4"	7100/5400/3800	1"	2-3/8"	UTR-1630-24	UTT-1630-24	4-1/2"	60.0
			1-1/4"		UTR-1640-16	UTT-1640-16		
			1-1/2"		UTR-1640-20	UTT-1640-20		
16"	5"	8800/8400/5600	1"	3"	UTR-1640-24	UTT-1640-24	5-1/2"	80.0
			1-1/4"		UTR-1650-16	UTT-1650-16		
			1-1/2"		UTR-1650-20	UTT-1650-20		
16"	6"	10300/8800/6100	1"	2"	UTR-1650-24	UTT-1650-24	6-1/2"	98.0
			1-1/4"		UTR-1660-16	UTT-1660-16		
			1-1/2"		UTR-1660-20	UTT-1660-20		

OPTIONS	
WS	Wheel Seals
70D	Optional Durometer
80A	Optional Durometer

V-Groove Wheels



VF and VI Wheels



VFT-1040-20

V-Groove wheels are high strength cast iron (VI) castings or forged steel (VF) forgings machined with a 90° groove for operation on an inverted angle iron track. They are used to control the flow of a load, i.e., into an oven, between machines, over long distances or where "production line" sequence is required. Care must be made to assure the inverted angle iron track is parallel to ensure smooth and constant tracking. In some cases it may be advisable to run inverted angle iron on one side with V-Groove wheels and flat bar stock steel on the other side with a flat faced cast iron or forged steel wheel.

FEATURES	
Wheel Bearing	Choice of straight roller bearing or tapered bearing
Temperature Range	-50° to +800°F
Hub Length	Can be cut or lengthened with spacers
Lubrication Fittings	Standard on 2-1/2" and wider wheels
Bores	Various sizes available on some wheels
Keyways	Can be installed on most sizes

UP TO 15,000 POUND CAPACITY

V-Groove Wheels
Cast Iron Wheels

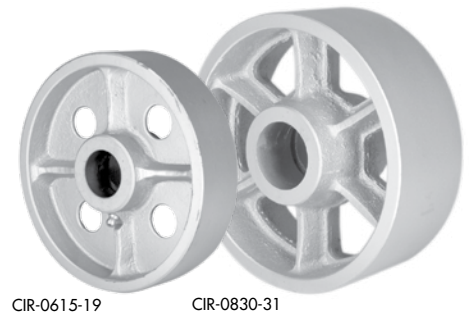
SPECIFICATIONS

Wheel Diameter	Wheel Width	Capacity	Axle Diameter	Straight Roller Bearing	Tapered Roller Bearing	Width of Groove	Depth of Groove	Hub Length	lbs. Approx Weight
4"	1-1/2"	700	1/2"	VIR-0415-08		7/8"	7/16"	1-7/8"	3.4
			5/8"	VIR-0415-10					
			3/4"	VIR-0415-12					
4"	2"	800	1/2"	VIR-0420-08		7/8"	7/16"	2-7/16"	4.5
			5/8"	VIR-0420-10					
			3/4"	VIR-0420-12					
5"	2"	800	1/2"	VIR-0520-08		7/8"	7/16"	2-7/16"	6.3
			5/8"	VIR-0520-10					
			3/4"	VIR-0520-12					
6"	2"	1000	1/2"	VIR-0620-08	VIT-0620-08	7/8"	7/16"	2-7/16"	7.2
			5/8"	VIR-0620-10	VIT-0620-12				
			3/4"	VIR-0620-12	VIT-0620-12-YY				
6"	2-1/2"	1500	3/4"	VIR-0625-12-YY	VIT-0625-12-YY	7/8"	7/16"	3"	11.2
			1"	VIR-0625-16-SI-YY	VIT-0625-16-YY				
			1"	VIR-0625-16-YY	VIT-0625-16-YY				
		2500	1-1/4"	VIR-0625-20-YY		7/8"	7/16"	3-1/2"	11.2
			3/4"	VIR-0625-12	VIT-0625-12				
			1"	VIR-0625-16-SI	VIT-0625-16				
6"	3"	3500	3/4"	VIR-0630-12	VIT-0630-12	7/8"	7/16"	3-1/2"	20.0
			1"	VIR-0630-16	VIT-0630-16				
			1"	VIR-0630-16-SI					
		7000	1-1/4"	VIR-0630-20		1-3/8"	11/16"	3-1/2"	30.0
			3/4"	VFR-0630-12	VFT-0630-12				
			1"	VFR-0630-16-SI	VFT-0630-16				
10,000	1-1/4"	VFR-0630-20	VFT-0630-20	1-3/8"	11/16"	3-1/2"	30.0		
	1-1/2"	VFR-0630-24	VFT-0630-24						
	1-1/4"	VFR-0630-20-SI	VFT-0630-20						
	1-1/2"	VFR-0630-24	VFT-0630-24						
8"	2"	1050	1/2"	VIR-0820-08	VIT-0820-08	7/8"	7/16"	2-7/16"	13.2
			5/8"	VIR-0820-10					
8"	2-1/2"	3000	3/4"	VIR-0820-12	VIT-0820-12	7/8"	7/16"	3-1/2"	15.8
			1"	VIR-0825-12	VIT-0825-12				
			1"	VIR-0825-16-SI	VIT-0825-16				
8"	3"	5000	1"	VIR-0825-16	VIT-0825-16	7/8"	7/16"	3-1/2"	23.5
			1-1/4"	VIR-0825-20	VIT-0825-20				
			3/4"	VIR-0830-12	VIT-0830-12				
		6000	1"	VIR-0830-16-SI	VIT-0830-16	7/8"	7/16"	3-1/2"	30.0
			1"	VIR-0830-16	VIT-0830-16				
			1-1/4"	VIR-0830-20	VIT-0830-16				
8"	4"	10,000	1-1/4"	VFR-0830-12	VFT-0830-12	1-3/4"	7/8"	4-1/2"	30.0
			1"	VFR-0830-16-SI	VFT-0830-16				
			1"	VFR-0830-16	VFT-0830-16				
		15,000	1-1/4"	VFR-0830-20	VFT-0830-20	1-3/4"	7/8"	4-1/2"	30.0
			1-1/2"	VFR-0830-24	VFT-0830-24				
			1-1/4"	VFR-0830-20-SI	VFT-0830-20				
10"	3"	5000	3/4"	VIR-1030-12	VIT-1030-12	7/8"	7/16"	3-1/2"	21.0
			1"	VIR-1030-16-SI	VIT-1030-16				
			1"	VIR-1030-16	VIT-1030-20				
		6000	1-1/4"	VIR-1030-20	VIT-1030-20	1-3/8"	11/16"	3-1/2"	31.0
			3/4"	VFR-1030-12	VFT-1030-12				
			1"	VFR-1030-16	VFT-1030-16				
10"	4"	10,000	1"	VFR-1030-16-SI	VFT-1030-16	1-3/4"	7/8"	4-1/2"	38.0
			1-1/4"	VFR-1030-20	VFT-1030-20				
			1-1/2"	VFR-1030-24	VFT-1030-24				
10"	4"	15,000	1-1/4"	VFR-1040-20-SI	VFT-1040-20	1-3/4"	7/8"	4-1/2"	38.0
			1-1/2"	VFR-1040-24-SI	VFT-1040-24				
12"	3"	6000	3/4"	VIR-1230-12	VIT-1230-12	7/8"	7/16"	3-1/2"	39.0
			1"	VIR-1230-16	VIT-1230-16				
			1"	VIR-1230-16-SI	VIT-1230-16				
			1-1/4"	VIR-1230-20	VIT-1230-20				

OPTIONS

- WS** Wheel Seals
- ZF** Zerk Fittings on 2" wide and smaller wheels

Cast Iron wheels are exceptionally long wearing, provide resistance to shock and are a good choice for heavy loads in manufacturing and warehousing. Cast Iron wheels are recommended for rough concrete, wood block and littered floors.



CIR-0615-19

CIR-0830-31

FEATURES

Wheel Bearing	Choice of straight roller, annular ball, tapered, celcon or plain
Retaining Washers	All wheels 1-1/2" and wider with roller bearings are equipped with a metal thrust/retainer washer
Temperature Range	-40° to +800°F
Finish	Painted
Bores	Special sizes available upon request
Lubrication	All wheels 1-1/4", 1-1/2", and 2" wide are generally lubricated through the hollow axle. Lubrication fittings can be installed on the hub upon request on most of these wheels. 2-1/2" and wider wheels are supplied with a lubrication fitting on the hub.

SPECIFICATIONS

Wheel Diameter	Wheel Width	lbs. Capacity	Axle Diameter	Straight Roller Bearing	Ball Bearing	Tapered Roller Bearing	Plain, Oilite, Celcon Bearing	Hub Length	Approx Weight
3"	1-1/4"	300	5/16"		CIB-031205		CIP-031205 CIP-031206 CIP-031208	1-15/32"	1.5
3"	1-1/2"	350	3/8"		CIB-031506			1-7/8"	2.0
3 1/4"	1 1/2"	400	1/2"	CIR-3215-08 CIR-3215-10 CIR-3215-12			CIO-3215-08 CIO-3215-10 CIO-3215-12	1-7/8"	3.0
3-1/2"	1-1/4"	300	3/8"				CIP-351206	1-15/32"	1.4
4"	1-1/4"	500	5/16"		CIB-041205		CIP-041206	1-7/16"	1.9
4"	1-1/2"	500	3/8"	CIR-0415-06 CIR-0415-08 CIR-0415-10 CIR-0415-12	CIB-041506 CIB-041508		CIC-041506 CIC-041508 CIC-041510 CIC-041512	1-7/8"	3.2
4"	2"	800	1/2"	CIR-0420-08 CIR-0420-10 CIR-0420-12	CIB-042008		CIC-042008 CIC-042010 CIC-042012	2-7/16"	3.3
4"	3"	2000	3/4"	CIR-0430-12 CIR-0430-16		CIT-0430-12 CIT-0430-16		3-1/2"	8.0
4-1/2"	2-1/2"	1500	3/4"	CIR-4525-12 CIR-4525-16 CIR-4525-20		CIT-4525-12		3-1/2"	8.1
5"	1-1/2"	600	3/8"	CIR-0515-06 CIR-0515-08 CIR-0515-10 CIR-0515-12	CIB-051506 CIB-051508		CIC-051506 CIC-051508 CIC-051510 CIC-051512	1-7/8"	4.0
5"	2"	1000	1/2"	CIR-0520-08 CIR-0520-10 CIR-0520-12	CIB-052008 CIB-052010 CIB-052012		CIC-052008 CIC-052010 CIC-052012	2-7/16"	4.7
5"	2-1/2"	2000	3/4"	CIR-0525-12 CIR-0525-16 CIR-0525-16-SI CIR-0525-20		CIT-0525-12 CIT-0525-16		3-1/2"	8.0
6"	1-1/2"	600	3/8"	CIR-0615-06 CIR-0615-08 CIR-0615-10 CIR-0615-12	CIB-061506 CIB-061508		CIC-061506 CIC-061508 CIC-061510 CIC-061512	1-7/8"	5.0
6"	2"	1200	1/2"	CIR-0620-08 CIR-0620-10 CIR-0620-12	CIB-062008 CIB-062010 CIB-062012		CIC-062008 CIC-062010 CIC-062012	2-7/16"	5.7
6"	2-1/2"	1800	3/4"	CIR-0625-12-YY CIR-0625-16-YY CIR-0625-16-SI-YY CIR-0625-20-YY		CIT-0625-12-YY CIT-0625-16-YY		3"	9.5
6"	3"	3000	3/4"	CIR-0630-12 CIR-0630-16 CIR-0630-16-SI CIR-0630-20		CIT-0630-12 CIT-0630-16		3-1/2"	12.0

SPECIFICATIONS

Wheel Diameter	Wheel Width	lbs. Capacity	Axle Diameter	Straight Roller Bearing	Ball Bearing	Tapered Roller Bearing	Plain, Oilite, Celcon Bearing	Hub Length	Approx Weight
8"	2"	1400	1/2"	CIR-0820-08 CIR-0820-10 CIR-0820-12	CIB-0820-08 CIB-0820-10 CIB-0820-12		CIC-0820-08 CIC-0820-10 CIC-0820-12	2-7/16"	11.4
8"	2-1/2"	1800	3/4"	CIR-0825-12-YY CIR-0825-16-YY CIR-0825-16-SI-YY CIR-0825-20-YY		CIT-0825-12-YY CIT-0825-16-YY		3"	14.5
8"	2-1/2"	2000	1"	CIR-0825-12 CIR-0825-16 CIR-0825-16-SI CIR-0825-20		CIT-0825-12 CIT-0825-16		3-1/2"	15.5
8"	3"	3000	1"	CIR-0830-12 CIR-0830-16 CIR-0830-16-SI CIR-0830-20		CIT-0830-12 CIT-0830-16		3-1/2"	15.5
8"	4"	4000	1-1/4"	CIR-0840-16 CIR-0840-20		CIT-0840-16 CIT-0840-20		4-1/2"	26.0
10"	2-1/2"	1800	3/4"	CIR-1025-12-YY CIR-1025-16-YY CIR-1025-16-SI-YY CIR-1025-20-YY		CIT-1025-12-YY CIT-1025-16-YY		3"	17.0
10"	2-1/2"	2500	1"	CIR-1025-12 CIR-1025-16 CIR-1025-16-SI CIR-1025-20		CIT-1025-12 CIT-1025-16		3-1/2"	19.0
10"	3"	4000	1"	CIR-1030-12 CIR-1030-16 CIR-1030-16-SI CIR-1030-20		CIT-1030-12 CIT-1030-16		3-1/2"	27.0
10"	4"	5000	1-1/4"	CIR-1040-20		CIT-1040-20		4-1/2"	35.0
10"	5"	6000	1-1/2"	CIR-1050-20		CIT-1050-20		5-1/2"	24.0
12"	2-1/2"	2500	3/4"	CIR-1225-12-YY CIR-1225-16-YY CIR-1225-16-SI-YY CIR-1225-20-YY		CIT-1225-12-YY CIT-1225-16-YY		3"	17.0
12"	3"	5000	1"	CIR-1230-12 CIR-1230-16 CIR-1230-16-SI CIR-1230-20		CIT-1230-12 CIT-1230-16		3-1/2"	29.0
12"	6"	10000	1-1/4"	CIR-1260-16 CIR-1260-20 CIR-1260-24		CIT-1260-16 CIT-1260-20 CIT-1260-24		6-1/2"	70.0
16"	5"	7000	1-1/4"	CIR-1650-20 CIR-1650-24		CIT-1650-20 CIT-1650-24		5-1/2"	70.0

OPTIONS

- TG** Thread Guard on 1-1/4", 1-1/2", 2" tread wheels
- WS** Wheel Seals
- ZF** Zerk Fitting



CIR-0620-19

4", 5", 6" and 8" diameter, 2" wheels are solid hub.

UP TO 10,000 POUND CAPACITY

Cast Iron Wheels
V-Groove Wheels

Forged Steel Wheels



FSR-0830-31

RWM Forged Steel wheels are hot forged from medium carbon steel providing maximum strength and durability. RWM Forged Steel wheels are virtually indestructible within their capacity range. Forged Steel wheels can be used in the roughest of applications, on the poorest of floors and under the heaviest of loads.

FEATURES	
Wheel Bearing	Choice of straight roller bearings or precision tapered bearings
Temperature Range	-50° to 800°F
Hub Length	Can be shortened or lengthened to order
Lubrication Fittings	Standard on 2-1/2" and wider wheels
Bores	Sizes can be altered
Keyways	Can be installed on most sizes

UP TO 20,000 POUND CAPACITY

Forged Steel Wheels
HT Disc Brake, Signature Wheel™ & Slimline Truck™

SPECIFICATIONS							
Wheel Diameter	Wheel Width	Capacity lbs.	Axle Diameter	Straight Roller Bearing	Tapered Roller Bearing	Hub Length	Approx Weight lbs.
4"	1-1/2"	1400	1/2"	FSR-0415-08		2-7/16"	3.1
			5/8"	FSR-0415-10			
			3/4"	FSR-0415-12			
5"	2"	1500	1/2"	FSR-0520-08	FST-0520-08	2-7/16"	5.0
			5/8"	FSR-0520-10			
			3/4"	FSR-0520-12			
6"	2"	1800	1/2"	FSR-0620-08	FST-0620-08	2-7/16"	6.3
			5/8"	FSR-0620-10			
			3/4"	FSR-0620-12			
6"	2-1/2"	5000	3/4"	FSR-0625-12	FST-0625-12	3-1/2"	11.2
			1"	FSR-0625-16	FST-0625-16		
6"	3"	7000	3/4"	FSR-0630-12	FST-0630-12	3-1/2"	20.0
			1"	FSR-0630-16	FST-0630-16		
		1-1/4"	FSR-0630-20	FST-0630-20			
		10000	1-1/4"		FST-0630-20HD		
8"	2-1/2"	4500	3/4"	FSR-0825-12	FST-0825-12	3-1/2"	18.0
			1"	FSR-0825-16			
			1"	FSR-0825-16-SI	FST-0825-16		
			1-1/4"	FSR-0825-20			
8"	3"	5500	3/4"	FSR-0830-12	FST-0830-12	3-1/2"	19.0
			1"	FSR-0830-16			
			1"	FSR-0830-16-SI	FST-0830-16		
		1-1/4"	FSR-0830-20				
		10000	1"		FST-0830-16HD		
			1-1/4"		FST-0830-20HD		
8"	4"	10000	1-1/4"	FSR-0840-20		4-1/2"	36.0
			1-1/2"	FSR-0840-24			
		20000	1-1/4"		FST-0840-20		
			1-1/2"		FST-0840-24		
10"	3"	6000	3/4"	FSR-1030-12	FST-1030-12	3-1/2"	37.0
			1"	FSR-1030-16			
			1"	FSR-1030-16-SI	FST-1030-16		
			1-1/4"	FSR-1030-20	FST-1030-20		
10"	4"	10000	1-1/4"	FSR-1040-20		4-1/2"	48.0
			1-1/2"	FSR-1040-24			
		20000	1-1/4"		FST-1040-20		
			1-1/2"		FST-1040-24		

OPTIONS	
TG	Thread Guards on 1-1/2" and 2" tread wheels
WS	Wheel Seals
ZF	Zerk Fitting

Note: Add YY for 3" hub length on 2-1/2" tread wheels.

RWM's brake design will make all conventional hand truck brakes obsolete!

This lightweight compact brake design provides:

- Precision downhill braking
- Single hand fingertip control
- Very responsive braking system
- Ergonomic design for effortless guidance
- Easy maintenance and repair
- Mounting options for left or right hand use
- Brake cannot be ordered separately



F1-DGV-EA1-FN2-B1

Contact our factory for specific handle and wheel options.

Hand Truck Signature ^{RWM} premium wheels

RWM is changing the hand truck industry with our Signature™ Premium Hand Truck Wheels!

These incredible wheels provide:

- Lightweight, ergonomic design
- Non-marking, elastomeric high tensile strength rubber tread
- Strong, lightweight, reinforced nylon hub
- Durable nylon core is six times stronger than polypropylene
- Sealed ball bearings
- Cut, tear and corrosion resistant
- Higher capacity than any other hand truck wheel in the industry!
8" wheel = 600 lb. capacity, 10" wheel = 800 lb. capacity



SW2

SW1

RWM SlimLine TRUCK™

RWM's SlimLine Truck™ offers the same strength and durability for narrow aisle use!

- This truck is designed for optimal beverage handling.
- Slim, lean and specifically designed to navigate narrow corners, stairways and aisles with ease.
- Available with a large variety of standard frames and handles
- The SlimLine Truck™ is available with the CA0, EA1, EA3 and EA5 nose plates.
- To order the SlimLine Truck™, choose your components and add "SL" at the end of the model number, i.e. F1-DGV-CA0-SW1-S0-SL.



F1-DGV-CA0-FN2-S0-SL

Build a Custom Hand Truck

Please order the trucks in this order:
 Frame, Handle, Nose Plate, Wheels, Stair
 Glides, Nose Extension, Frame Extension,
 Brake, Accessory Bag, Logo Strips.
 Example: F1-SLV-EA1-SW1-S1-E2



- 500 pound capacity
- Stress resistant frames with maximum shock absorption and durability
- Ergonomic design reduces operator strain

FRAMES

Model	Description	Model	Description
F1	Standard Fixed Frame A stress resistant, straight frame for general use offers maximum shock absorption and durability.	F4	Curved Fixed Frame A curved frame to transport cylinders, bottled water and kegs with solid molded curved crossbars for superior strength and safety. Cylinders nest into the frame.
F2	Standard Fixed Frame with Aluminum Center Strap A stress resistant, straight frame with mounted vertical strap offers easy transport of smaller items.	F5	Curved Fixed Frame with Straight Top Crossbar A curved fixed frame with a straight top cross-bar for transporting cases on top of cylinders.
F3	Standard Fixed Frame with Solid Aluminum Deck Standard frame allows transport of smaller and odd shaped items.		

HANDLES

Model	Description	Model	Description
DGV	Dual Grip Vinyl The dual grip handle comes with an E4 (44") channel extension. The total hand truck height with this handle is 48".	VLP	Vertical Loop Plain The vertical loop handle provides easy maneuverability. The total hand truck height with this handle is 53".
SLP	Single Loop Plain The single loop handle is made of smooth aluminum for easy handling. The total hand truck height with this handle is 50".	VLC	Vertical Loop for Curved Frame The vertical loop handle for the curved frame provides easy maneuverability. The total hand truck height with this handle is 53".
SLV	Single Loop with Vinyl Sleeve The loop handle with vinyl sleeve provides an easy to grip cushioned handle. The total hand truck height with this handle is 50".	DL1	55" Dual Loop Handle The dual loop handle provides extra support for taller loads. The dual loop also provides added safety.
PLT	Pin Handle with Top Grip The easy to use loop handle has a welded pin grip at the top. The total hand truck height with this handle is 52".	DL2	60" Dual Loop Handle The dual loop handle provides extra support for taller loads. The dual loop also provides added safety.
PLC	Pin Handle with Center Grip The loop handle with cross brace and welded pin grip for easy one-hand toting. The total hand truck height with this handle is 55".		

NOSE PLATES

Model	Description	Model	Description
CA0	Cast Aluminum Cast aluminum nose plate is 13" wide x 7.5" deep, with a recessed heel. This plate is for the SlimLine Truck™ only.	EA2	Extruded Aluminum Industrial strength nose plate is 18" wide x 7.5" deep. This plate mounts behind the frame and has cut outs for wheels.
CA1	Cast Aluminum Cast aluminum nose plate is 14" wide x 7.5" deep, with a recessed heel.	EA3	Extruded Aluminum Industrial strength nose plate is 14" wide x 9" deep. This plate mounts on the front of the truck frame.
CA2	Cast Aluminum Cast aluminum nose plate is 18" wide x 7.5" deep, with a recessed heel.	EA4	Extruded Aluminum Industrial strength nose plate is 14" wide x 7.5" deep. This plate mounts behind the frame and has cut outs for wheels.
EA1	Extruded Aluminum Industrial strength nose plate is 18" wide x 9" deep. This plate mounts on the front of the truck frame.	EA5	Extruded Aluminum Industrial strength nose plate is 16" wide x 12" deep. This plate mounts to the front of the truck frame.

WHEELS			
Model	Description	Model	Description
FN2	Full Pneumatic 4-ply 10" A great general-purpose wheel with a 4 ply, 2-piece hub, zerk fitting, and ball bearings. Capacity is 350 lbs. per wheel.* Weighs 4.50 lbs.	SN1	Semi-Pneumatic 10" Easy rolling maintenance-free tire with ball bearings provides shock absorption and long life. Capacity is 500 lbs. per wheel.* Weighs 4.90 lbs.
SW1	Signature Wheel 8" A lightweight, strong offset nylon core with high strength non-marking elastomeric rubber tread. The round tread provides easy rolling. This wheel comes with sealed ball bearings. Capacity is 600 lbs. per wheel.* Weighs 2.30 lbs.	SN2	Semi-Pneumatic 8" Easy rolling maintenance-free tire with ball bearings provides shock absorption and long life. Capacity is 440 lbs. per wheel.* Weighs 3.5 lbs.
SW2	Signature Wheel 10" Wheel is the same as SW1 but has a capacity of 800 lbs.* per wheel and weighs 3 lbs.	SF1	Solid Foam Maintenance Free 10" The solid foam tire with sealed ball bearings performs like a pneumatic and never goes flat. Capacity is 300 lbs. per wheel.* Weighs 4.3 lbs.

STAIR GLIDES			
Model	Description	Model	Description
SO	SlimLine Truck™ Stair Glides Narrow aisle stair glides (pair), includes additional cross bar. Not available with curved fixed frames (F4, F5).	S1	Standard Stair Glides The cast aluminum stair glides have low friction acetal skid bars. They are great for easy moving on stairs and over curbs. Stair glides fit trucks with 8" or 10" wheels.

NOSE EXTENSIONS			
Model	Description	Model	Description
N1	20" Channel Nose Extension The folding nose extruded aluminum channel extension is 20" in length and has a 300 lb. capacity.	N2	30" Channel Nose Extension The folding nose extruded aluminum channel extension is 30" in length and has a 300 lb. capacity.

FRAME EXTENSIONS			
Model	Description	Model	Description
E1	52" Frame Extension Frame extension accommodates taller loads. Total hand truck height will be 52".	E4	44" Frame Extension This frame extension comes standard on the dual grip vinyl (DGV) handle.
E2	55" Frame Extension Frame extension accommodates taller loads. Total hand truck height will be 55".	E5	44" Dual Frame Extension Frame extension has a larger channel design to glove with other extensions, allowing two extensions on one truck.
E3	60" Frame Extension Frame extension accommodates taller loads. Total hand truck height will be 60".	E6	65" Dual Frame Extension Frame extension with 53" inner strengthening loop.

BRAKES		LOGO STRIPS	
Model	Description	Model	Description
B1	Disc Brake Precision downhill braking with a single hand fingertip lever. Ergonomically designed for effortless guidance. Contact factory for specific handle and wheel options. Brake cannot be sold separately.	Contact RWM	Personalized Logo Strips Personalized logo strips can be added to the sides of the hand truck. Durable plastic strips promote company and help prevent theft.

ACCESSORY BAGS			
Model	Description	Model	Description
BS	Small Accessory Bag Bag conveniently carries clipboards, scanners, tools, vending and cleaning supplies. 8"W x 15"L overall with 1 pocket 13"L x 8"W x 2"D, 1 tool pocket 4.5"D x 4"W and 2 pencil/pen pockets.	BL	Large Accessory Bag Bag conveniently carries clipboards, scanners, tools, vending and cleaning supplies. 12"W x 14"L overall with 1 pocket 11"L x 8"W x 6"D.

*Wheel capacity ratings do not reflect hand truck ratings. Maximum hauling weight for hand truck frame and nose plate is 500 lbs.



Build a Custom Hand Truck

Please order the trucks in this order:
 Frame, Nose Plate, Wheels,
 Stair Glides (available on large convertibles only),
 Nose Extensions, Brake, Logo Strips.
 Example: HC1-CA2-SF1-S1-N2-B3(2)



- 500 pound capacity as a hand truck
- 1,000 pound capacity as a platform truck
- 2-in-1 hand truck easily converts from a hand truck to a platform truck
- Easy release mechanism operates smoothly and quickly
- Strong, light-weight frames
- Extremely durable and long lasting

FRAMES			
Model	Description	Model	Description
HC1	Large Convertible Standard Frame Frame consists of strong, lightweight aluminum construction. The total hand truck height is 61", platform handle height is 45.5", platform bed length is 51", platform bed height from floor is 10.5", and the overall length converted is 55.75", frame width is 12".	HC4	Small Convertible Standard Frame Frame consists of strong, lightweight aluminum construction. The total hand truck height is 51", platform handle height is 40", platform bed length is 38", platform bed height from floor is 10.5", and the overall length converted is 47.5", frame width is 12".
HC2	Large Convertible Frame with Aluminum Center Strap Stress resistant, straight lattice back frame with mounted vertical strap provides easy transport of smaller items. The dimensions are the same as the HC1.	HC5	Small Convertible Frame with Aluminum Center Strap Stress resistant, straight lattice back frame with mounted vertical strap provides easy transport of smaller items. The dimensions are the same as the HC4.
HC3	Large Convertible Frame with Solid Aluminum Deck Heavy gauge aluminum sheet is permanently affixed to the truck to allow transport of smaller and odd shaped items. The dimensions are the same as the HC1.	HC6	Small Convertible Frame with Solid Aluminum Deck Heavy gauge aluminum sheet is permanently affixed to the truck to allow transport of smaller and odd shaped items. The dimensions are the same as the HC4.

NOSE PLATES			
Model	Description	Model	Description
CA1	Cast Aluminum Cast aluminum nose plate is 14" wide x 7.5" deep, with a recessed heel.	EA3	Extruded Aluminum Industrial strength nose plate is 14" wide x 9" deep. This plate mounts on the front of the truck frame.
CA2	Cast Aluminum Cast aluminum nose plate is 18" wide x 7.5" deep, with a recessed heel.	EA4	Extruded Aluminum Industrial strength nose plate is 14" wide x 7.5" deep. This plate mounts behind the frame and has cut outs for wheels.
EA1	Extruded Aluminum Industrial strength nose plate is 18" wide x 9" deep. This plate mounts on the front of the truck frame.	EA5	Extruded Aluminum Industrial strength nose plate is 16" wide x 12" deep. This plate mounts to the front of the truck frame.
EA2	Extruded Aluminum Industrial strength nose plate is 18" wide x 7.5" deep. This plate mounts behind the frame and has cut outs for wheels.		


Convertible Hand Trucks
Hand Truck Replacement Parts

Convertible Hand Trucks

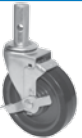

WHEELS			
Model	Description	Model	Description
FN2	Full Pneumatic 4-ply 10" A great general-purpose wheel with a 4 ply, 2-piece hub, zerk fitting, and ball bearings. Capacity is 350 lbs. per wheel.* Weighs 4.50 lbs.		SN1 Semi-Pneumatic 10" Easy rolling maintenance-free tire with ball bearings provides shock absorption and long life. Capacity is 500 lbs. per wheel.* Weighs 4.90 lbs.
SW2	Signature Wheel 10" A lightweight, strong offset nylon core with high strength non-marking elastomeric rubber tread. The round tread provides easy rolling. This wheel comes with sealed ball bearings. Capacity is 800 lbs. per wheel.* Weighs 3 lbs.		SF1 Solid Foam Maintenance Free 10" The solid foam tire with sealed ball bearings performs like a pneumatic and never goes flat. Capacity is 300 lbs. per wheel.* Weighs 4.3 lbs.

STAIR GLIDES	
Model	Description
S1	Standard Stair Glides The cast aluminum stair glides have low-friction acetal skid bars. They are great for easy moving on stairs and over curbs. Available on large convertibles only.



NOSE EXTENSIONS			
Model	Description	Model	Description
N1	20" Channel Nose Extension The folding nose extruded aluminum channel extension is 20" in length and has a 300 lb. capacity.		N2 30" Channel Nose Extension The folding nose extruded aluminum channel extension is 30" in length and has a 300 lb. capacity.



BRAKES			
Model	Description	Model	Description
B2(1)	WB Wheel Brake The WB side wheel brake is for the convertible caster. (One brake will be attached to one wheel.)		B3(1) ICWB Wheel Brake The ICWB face contact brake is for the convertible caster. (One brake will be attached to one wheel.)
B2(2)	WB Wheel Brake The WB side wheel brakes are for convertible casters. (One brake will be attached to each wheel.)		B3(2) ICWB Wheel Brake The ICWB face contact brakes are for convertible casters. (One brake will be attached to each wheel.)

LOGO STRIPS	
Model	Description
Contact RWM	Personalized Logo Strips Personalized logo strips added to the sides of the hand truck. Durable adhesive plastic strips promote company and help prevent theft.

*Wheel capacity ratings do not reflect hand truck ratings. Maximum hauling weight for hand truck frame and nose plate is 500 lbs. in the upright position and 1,000 lbs. in the platform position.

Hand Truck Replacement Parts

AXLES		FRAME ADD-ONS	
AO	10" SlimLine Truck™ Axle (5/8" dia., 15-1/8" long)	AD	Aluminum Solid Deck
A1	10" Axle (5/8" diameter, 18" long)	AS	Aluminum Strap
A2	8" Axle (5/8" diameter, 16-3/4" long)	STAIR GLIDES	
BEARINGS		SO	SlimLine Truck™ Stair Glides (pair), includes additional cross-bar. Not available with curved fixed frames (F4, F5)
BG1	Bearings (SF1)	S1	Standard Stair Glides (pair)
BG2	Bearings (FN2, SW1, SW2)	PWS	Plastic Replacement Glides/Wear Strips (pair)
BRACKETS			
BKTO	SlimLine Truck™ Wheel Brackets (pair)		
BKT	Standard Wheel Brackets (pair)		
CONVERTIBLE PARTS			
CLA	Convertible Lock Assembly		
RC	Replacement Stem Caster (complete assembly of caster and wheel)		

Hand Truck Replacement Parts
Convertible Hand Trucks

The RWM Titan Bulk Delivery System will save time, space and money for all route delivery companies. The Titan offers maximum maneuverability, zero turning radius and carries large loads. Heavy duty aluminum welded and bolted construction adds superior strength and durability.

Benefits:

- Eliminates picking at the delivery site
- Reduces driver fatigue
- Holds 50-55 cases which will save 5 trips
- Decreases check-in time
- Less product handling
- Increased accuracy for warehouse picking and pricing
- Reduces storage space
- Aluminum is lighter than similar steel trucks and will not rust

1200 pound Capacity



TITAN
Zero Turning Radius



TITAN
with UHMW Deck Plate



Superior RWM Casters
w/8" diameter non-marking wheels



TITAN
Folded Upright Position

Titan Bulk Delivery System
Premium Titan Bulk Delivery System

TITAN FEATURES	
Capacity	1200 lbs.
Size	65.5" Long x 18" Wide x 54.5" High
Deck Size	59.5" Long x 18" Wide
Weight	85 lbs.
Handles	Removable for easy storage
Casters	Superior RWM casters w/8" diameter non-marking wheels

OPTIONS
Aluminum Deck Plate
UHMW Deck Plate
6" Casters
Can be converted to premium version by changing to fold down handles

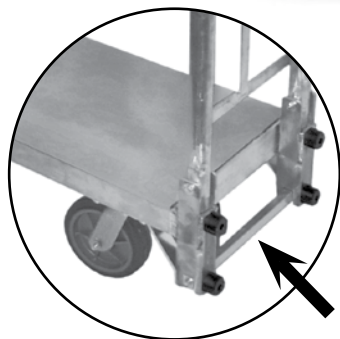
1200 pound Capacity



PREMIUM TITAN
with UHMW Deck Plate
Zero Turning Radius



PREMIUM TITAN
folded upright position



PREMIUM TITAN
foot release bar



PREMIUM TITAN
with Aluminum Deck Plate

PREMIUM TITAN FEATURES	
Capacity	1200 lbs.
Size	67.8" Long x 18" Wide x 65.0" High
Deck Size	59.5" Long x 18" Wide
Weight	109 lbs.
Handles	Fold down for easy storage
Casters	Superior RWM casters w/8" diameter non-marking wheels

OPTIONS
Aluminum Deck Plate
UHMW Deck Plate
6" Casters

Steel Folding Handle Platform Trucks



- Move supplies, files, office equipment, tools, samples or electronics
- Great for airports, delivery personnel, sales people, re-stocking, mailrooms, general office use and computer rooms
- Steers easily with hard rubber casters – two rigid and two swivel
- Vinyl perimeter bumper protects walls, doors and furniture
- Ships partially assembled

	Model #: PT-SS-L	Model #: PT-SS-S
Load Capacity	660 lbs.	330 lbs.
Width	23.3"	18.3"
Length	35.2"	28"
Height	39.4"	32.0"
Weight	44 lbs.	24 lbs.
Wheel Diameter	5"	4"

RWM's RAPIDSTOCK™ ExpandiCart™



Model #: PT-CA

- Move supplies, files, office equipment, tools, samples or electronics
- Steers easily with 4" hard rubber casters – two rigid and two swivel
- Ships fully assembled

Capacity	Width	Length	Height	Weight	Wheel Diameter	Model
330 lbs.	16"	28"	32-1/2"	20 lbs.	4"	PT-CA
RETRACTED	16"	19-1/2"	25-1/2"			



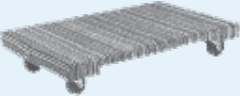

Folding Handle Aluminum Platform Trucks



Model #: PT-FA

- Ideal for airports, office personnel, mailrooms, general office use, computer rooms and the general office environment
- Smooth aluminum deck supports 330 lbs.
- Steers easily with 4" hard rubber casters – two rigid and two swivel
- Handle folds away via foot release for easy storage and transportation
- Ergonomic design facilitates loading, unloading, and maneuvering
- Ships fully assembled

Capacity	Width	Length	Height	Weight	Wheel Diameter	Model
330 lbs.	18-1/2"	29-1/2"	32-1/4"	21 lbs.	4"	PT-FA

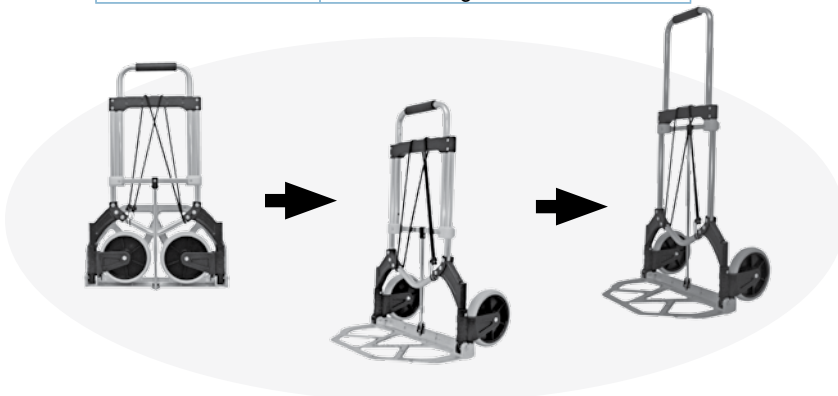
DOLLIES			
Model	Description	Caster Size	
310-3	18" x 30" Wood Dolly with Rubber Caps and Polyolefin Casters	3"	
310-4		4"	
810-3	18" x 30" Wood Dolly with Solid Wood Deck and Polyolefin Casters	3"	
810-4		4"	
810WC-3	18" x 30" Wood Dolly with Solid Carpet Deck and Polyolefin Casters	3"	
810WC-4		4"	
423-3	24" x 36" Wood Dolly with Solid Wood Deck and Polyolefin Casters	3"	
423-4		4"	

Handi Carts

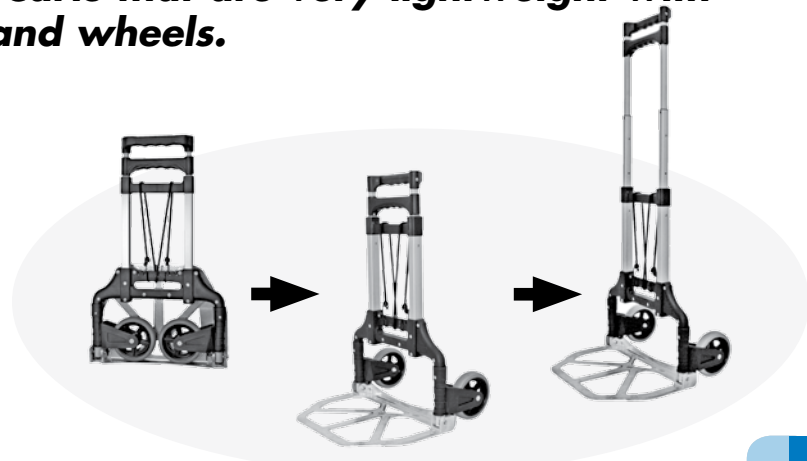
RWM offers two styles of Handi Carts that are very lightweight with collapsible handles, baseplates and wheels.

The Large Handi Cart's handle will raise and lower easily, and the wheels and baseplate collapse flat for easy storage. It comes standard with a bungee cord.

FEATURES	
Capacity	200 lbs.
Weight	10.5 lbs.
Wheels	6" non-marking
Toe Plate	9.75" deep
Unfolded	38"H x 18.5"W x 17"L
Collapsed	28"H x 18.5"W x 2"L
Handle	Extended height: 38"



Large Handi Cart
FW-90B



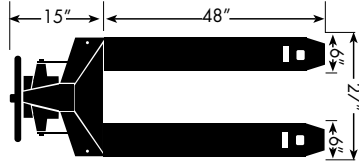
Mini Handi Cart
FW-90S

The Mini Handi Cart has three vertical handle positions and comes standard with a bungee cord. The wheels and baseplate fold flat for easy storage.

FEATURES	
Capacity	130 lbs.
Weight	7.0 lbs.
Wheels	4" non-marking
Toe Plate	10" deep
Unfolded	39"H x 14.5"W x 16"L
Collapsed	24"H x 14.5"W x 1.5"L
Handle	Two adjustable heights: 35" & 39"

Standard Pallet Truck

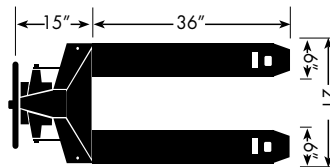
- Proven 6,600 pound capacity
- 8" raised height, 3" lowered height
- Shipping weight: 220 lbs.



Model: PALLETTRCK

Narrow Pallet Truck

- Proven 6,600 pound capacity
- 8" raised height, 3" lowered height
- Shipping weight: 184 lbs.

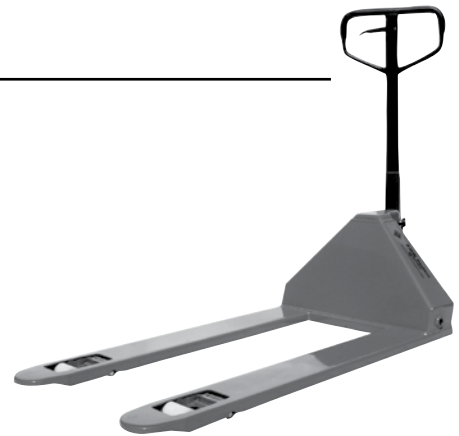
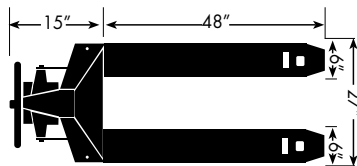


Model: PALLETNAR

**Call for
Pallet Truck
Replacement Part
Information**

Low Profile Pallet Truck

- Proven 4,400 pound capacity
- 6 1/2" raised height, 2" lowered height
- Shipping weight: 220 lbs.



Model: PALLETLOW

FEATURES

Load frame with high tensile steel construction	Strong double "C" forks constructed of heavy steel
Tandem load nylon wheels	Easy turning ability
Hardened chrome piston, lifting rod and cylinder pump piston	Heavy duty ball-bearings in all wheel assemblies
Convenient 3 stage fingertip control (raise, neutral and lower)	Robotically welded for high quality and dependability
Safety loop handle	Durable, leak-proof hydraulic pump offers reliable operation day after day
1 year limited warranty	Available through the RAPIDSTOCK™ Program