



The Patented BB-Tek Bi-Brake Caster is a star creation of Gatis and a pride of Taiwan. Incorporated into the same castor are two locking functions unseen in the trade, that is Total Locking and Directional Locking combined in one unit. Its simplicity in use and reliability is unmatched by any castor made, and has been most favored by medical appliances manufacturers and high-tech industry in the world.

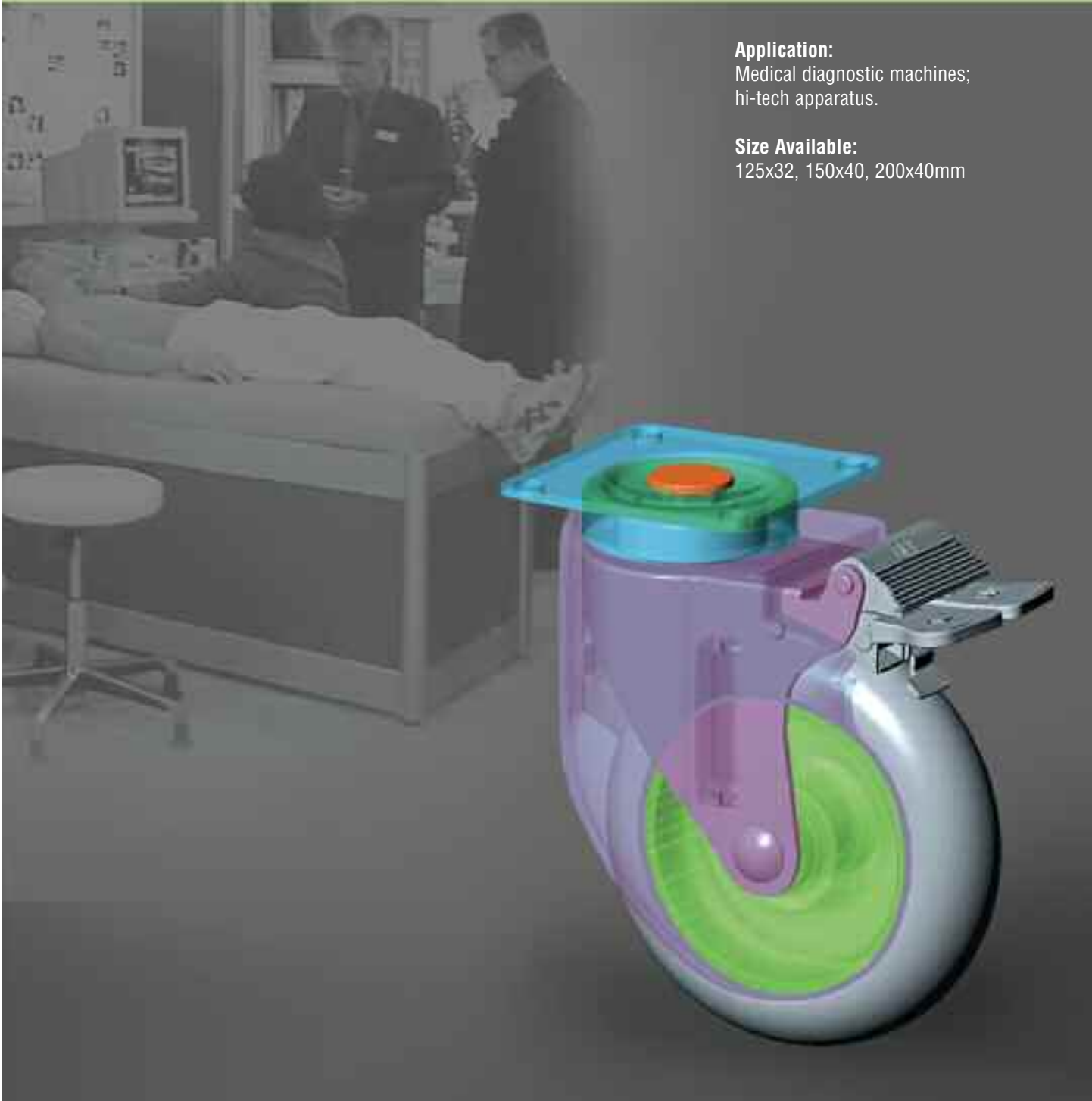
With a slight touch of pedal, you can lock the swivel head and moves straight ahead. Likewise, you can choose to unlock the wheel for lateral movement, or another tap to have the equipment firmly parked. All carried out at the tip of the toe.

Application:

Medical diagnostic machines;
hi-tech apparatus.

Size Available:

125x32, 150x40, 200x40mm



Series 03C Series Casters are recommended for medium duty applications on equipment such as portable computers, instruments, test or equipment stations and were designed for frequent portability. Precision Bearings in both the swivel and wheels, ease of rollability and maneuvering are its main features.

03CBB CONSTRUCTION FEATURES

Load Capacity

Up to 330 lbs.

- **Swivel Head and Wheel** are fitted with precision ball bearings to ensure maximum swiveling, ease and rollability with maximum quietness.
- Unique, patented **BB-TEK Bi-Braking System** provides two kinds of braking systems, Dual Locking and/or Directional Locking Brakes, in same caster.

Bi-Brake Casters

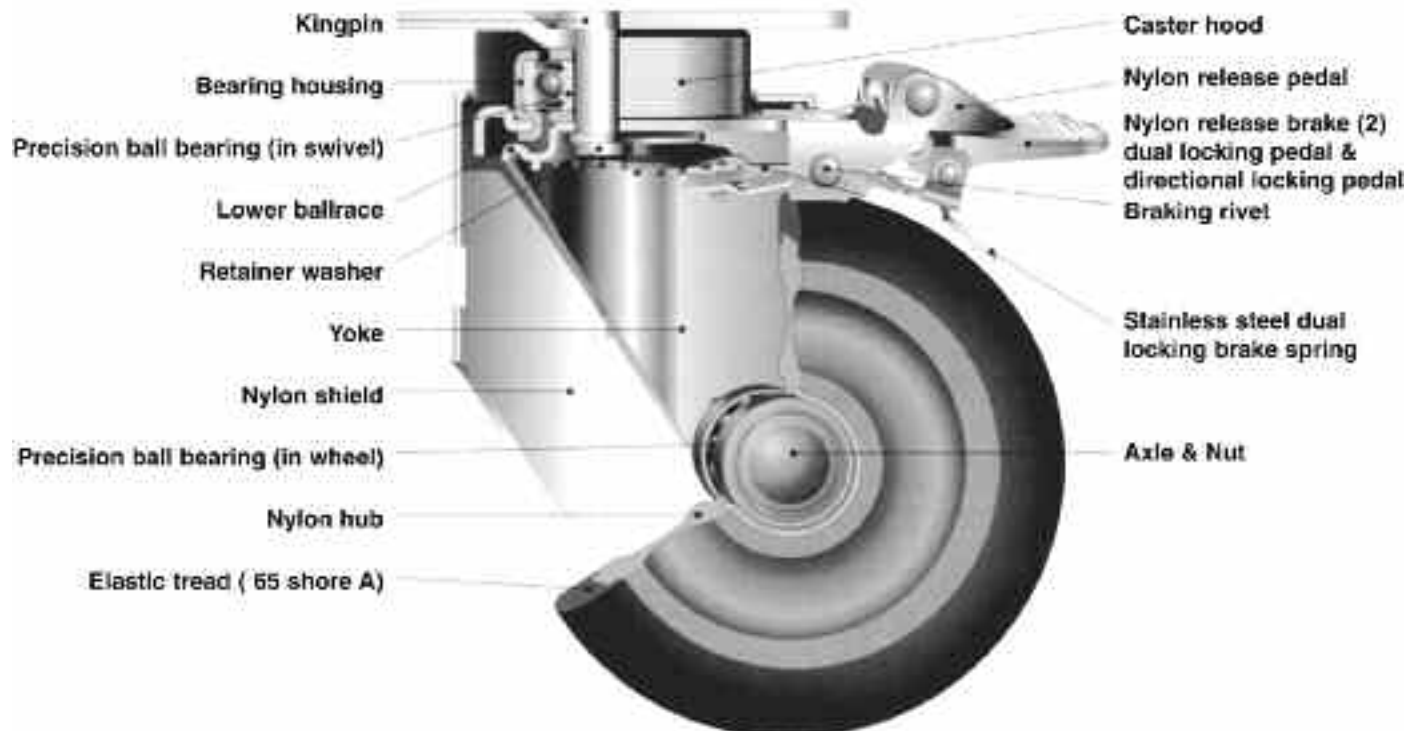
1. Swivel only
2. Swivel Loc Wheel free to turn
3. Swivel Lock and Wheel Brake.
4. Release Pedal reverts caster back to swivel only.



**Ergonomic
Maintenance Free
Ease of Rollability**

Pedal 1: Locks the swivel in the steering direction but wheel remains free for straight line tracking.

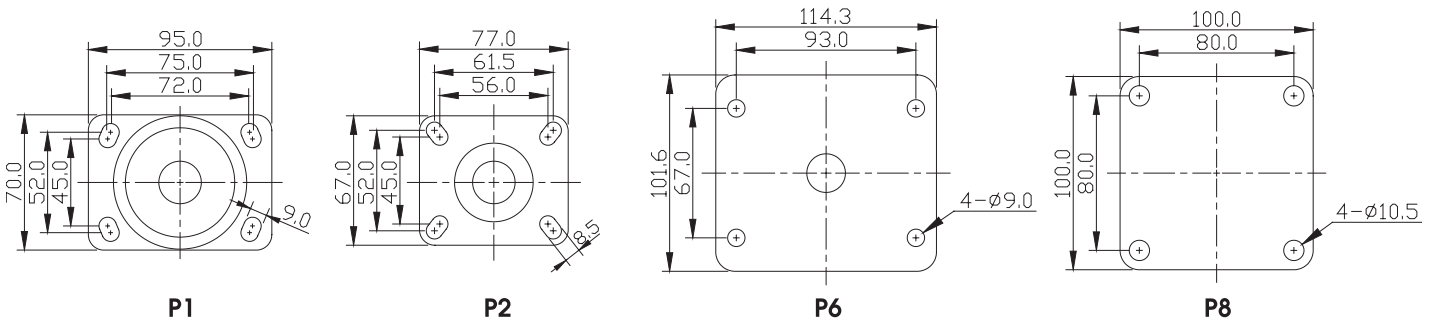
Pedal 2: Locks the wheel only



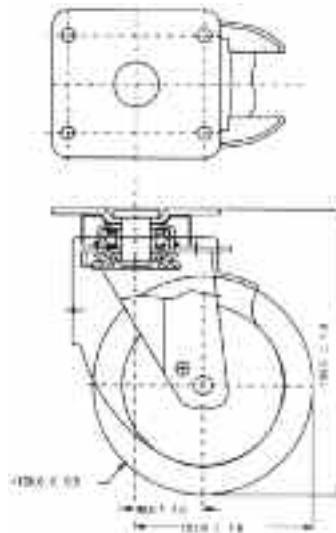
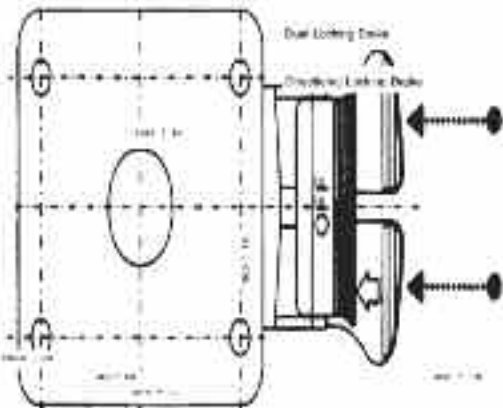
03CBB CASTER SPECIFICATIONS FOR BRAKING SYSTEM (WBS)*

Wheel Type (Wheel Code)	Diameter (mm)	Width (mm)	Top Plate (mm)	Bolt Hole Centers (mm)	Bolt Hole (mm)	Swivel Lead (mm)	OAH (mm)	Capacity (lbs.)	Caster Part Number (for WBS*)
Thermoplastic Rubber (TPR) with Precision Bearing									
	125	32	P1	75 x 52 / 72 x 45	9	39	161	220	03CBB-P1-TPR-125-WBS*
	125	32	P2	61.5 x 52 / 56 x 45	8.5	39	161	220	03CBB-P2-TPR-125-WBS*
	150	40	P6	93 x 67	9	46	196.5	330	03CBB-P6-TPR-150-WBS*
	150	40	P8	80 x 80	10	46	196.5	330	03CBB-P8-TPR-150-WBS*
High Elastic Rubber (ARB) with Precision Bearing									
	125	32	P1	75 x 52 / 72 x 45	9	39	161	220	03CBB-P1-ARB-125-WBS*
	125	32	P2	61.5 x 52 / 56 x 45	8.5	39	161	220	03CBB-P2-ARB-125-WBS*
	150	40	P6	93 x 67	9	46	196.5	330	03CBB-P6-ARB-150-WBS*
	150	40	P8	80 x 80	10	46	196.5	330	03CBB-P8-ARB-150-WBS*
	200	40	P6	93 x 67	9	49	250	330	03CBB-P6-ARB-200-WBS*
	200	40	P8	80 x 80	10	49	250	330	03CBB-P8-ARB-200-WBS*
Polyurethane (TPU) with Precision Bearing									
	125	32	P1	75 x 52 / 72 x 45	9	39	161	220	03CBB-TPU-P1-125-WBS*
	125	32	P2	61.5 x 52 / 56 x 45	8.5	39	161	220	03CBB-TPU-P2-125-WBS*

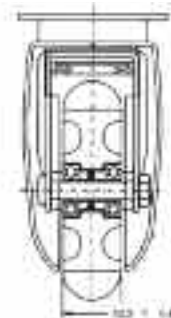
All load ratings are for manual operation at 2 mph.



*With Braking System (WBS)



**Free Swivel Only
Without Braking System (S)
i.e.
03CBB-P1-TPR-125-WBS
becomes
03CBB-P1-TPR-125-S**



Bi-Brake Casters

Pressed steel, zinc-chromatized swivel yoke, precision ball bearing at axle, aesthetic ABS covers; for 125mm wheel, double ballrace swivel head; for 150mm and 200mm wheels, precision ball bearing at swivel head; patented bi-brake design provides total locking and directional locking in one system



BB Two In One Bi-Brake System

Two locking functions, Directional and Total Lock incorporated into a single caster. When straight line tracking is required, simply engage the Directional Lock (green pedal); switching to safe parking is equally easy with a single tap of the Total Lock (red pedal). Unlocks at looks for lateral movement and easy maneuvering in tight space and turning corners.

P Top Plate Fitting

TPR Wheel Plastic hub, grey color thermoplastic rubber tire

Brake type	mm	mm	H	mm	mm	mm	mm	mm	kg	Code
BB Bi-Brake	125	32	●●	95 x 70	75 x 52 / 72 x 45	9.0	38.0	161.0	100	TS125B1WV502U
	125	32	●●	77 x 67	61.5 x 52 / 56 x 45	8.5	38.0	161.0	100	TS125B2WV502U
	150	40	●●	114.3 x 101.6	93 x 67	9.0	48.0	196.5	150	TS150B1WV500U
	150	40	●●	100 x 100	80 x 80	10.0	48.0	196.5	150	TS150B2WV500U



ARB Wheel Al-alloy hub, grey color high elastic rubber tire

Brake type	mm	mm	H	mm	mm	mm	mm	mm	kg	Code
BB Bi-Brake	125	32	●●	95 x 70	75 x 52 / 72 x 45	9.0	38.0	161.0	100	TS125B1WV520U
	125	32	●●	77 x 67	61.5 x 52 / 56 x 45	8.5	38.0	161.0	100	TS125B2WV520U
	150	40	●●	114.3 x 101.6	93 x 67	9.0	48.0	196.5	150	TS150B1WV540U
	150	40	●●	100 x 100	80 x 80	10.0	48.0	196.5	150	TS150B2WV540U
	200	40	●●	114.3 x 101.6	93 x 67	9.0	48.0	250.0	150	TS200B1WV540U
	200	40	●●	100 x 100	80 x 80	10.0	48.0	250.0	150	TS200B2WV540U



Brake type	mm	mm	H	mm	mm	mm	mm	mm	kg	Code
Non-brake Fixed	200	40	●●	114.3 x 101.6	85 x 67	9.0	250.0	150	TS200F6WV540U	



